

CARGO VAN EQUIPMENT



ADRIAN STEEL®

Cargo Management Solutions for Commercial Vehicles

GM EXPRESS/SAVANA

FORD ECONOLINE

FORD TRANSIT

NISSAN NV CARGO

RAM PROMASTER

FORD TRANSIT CONNECT

GM CITY EXPRESS

NISSAN NV200

RAM PROMASTER CITY



TIME IS MONEY! GET ON THE ROAD WITH EVERYTHING YOU NEED TO GET BACK TO BUSINESS.

Adrian Steel has all the storage products you will need, and the distributor network to professionally install your interior and graphics to get you back serving your customers faster. Below is a guide to help you set up your work van with the equipment you need to get the job done. Build your own interior with our modular products, or start with a Work Ready Van Package and modify it to your specific needs.

Table Of Contents

3 Plan Your Work Ready Van

4 Express/Econoline Partitions

5-7 Express/Econoline Ladder
& Utility Racks

8 Express/Econoline Ladder Keeper
& Liner Kits

9-15 Express/Econoline Trade Packages

16 Ford Transit Partitions

17 Ford Transit Shelving

18-19 Transit EZ Load Ladder Rack

20-21 Transit LoadsRite Ladder Rack

22-25 Transit Trade Packages

26 Nissan NV Cargo Partitions

27 NV LoadsRite Ladder Rack

28-29 NV EZ Load Ladder Rack

30-33 NV Cargo Trade Packages

34 RAM ProMaster Partitions and
Shelving

35 RAM ProMaster LoadsRite
Ladder Rack & Utility Rack

36-43 RAM ProMaster Trade
Packages

44 Transit Connect Partitions

45 Transit Connect Ladder Racks

46-47 Transit Connect Trade Packages

48 City Express/NV200 Partitions
& Ladder Racks

49-55 City Express/NV200 Trade
Packages

56 RAM ProMaster City Partitions
and Ladder Racks

57-61 RAM ProMaster City Trade
Packages

62-63 ADseries Shelving

64 Adjustable Shelving

65 Welded Shelving

66 Cabinet Modules

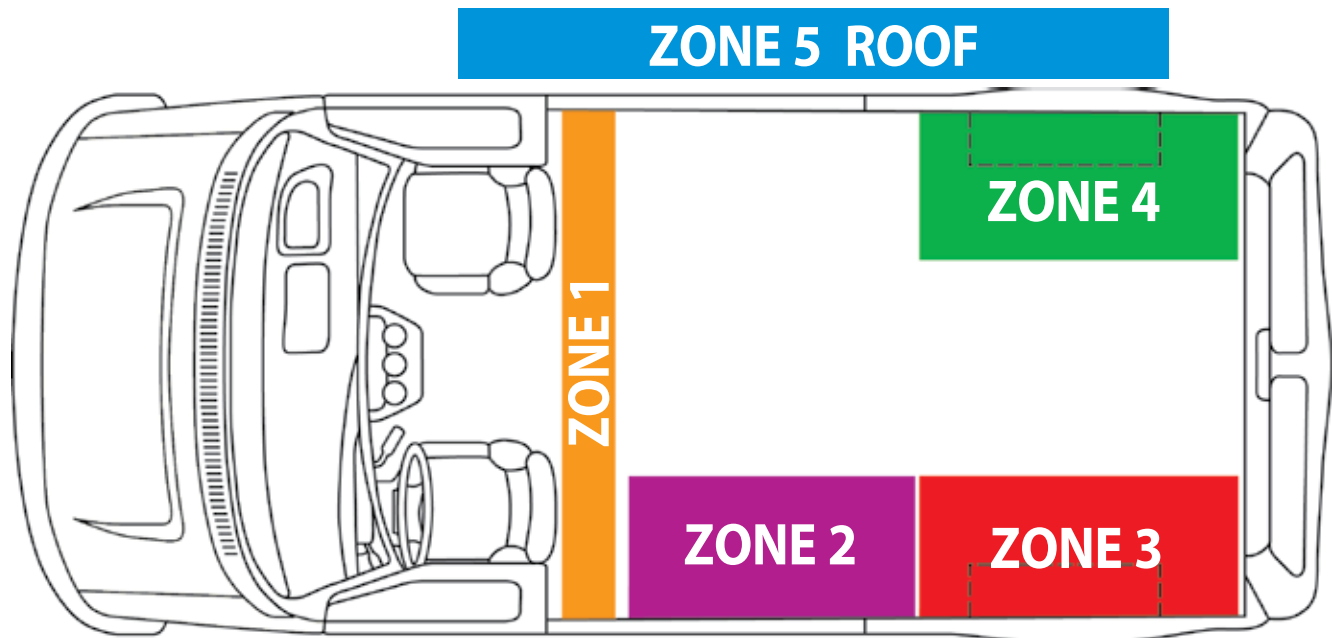
67 Drawer Modules

68 Storage Modules

69 Files

70 Floor Drawers

71-72 Van Accessories



ZONE 1 PARTITION

- Choose partition style: appropriate to your vehicle. Do you want a hinged door? If available.
- Choose the standard or 3" setback wing kit and add accessories.
- I need:

ZONES 2, 3, 4 CURBSIDE & STREETSIDE

- Use layout diagrams to determine the amount of space available.
- Choose from a variety of shelving units and modules that will best organize the tools and equipment you need to carry.
- Or, choose a trade specific, pre-designed interior with a partition.
- I need:

ZONE 5 ROOF

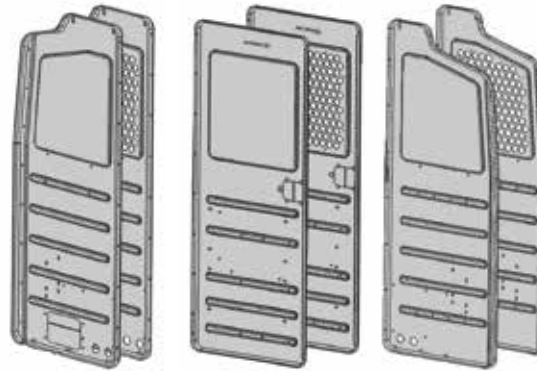
- What do you need to carry?
- Choose from LoadsRite, Grip-Lock, EZ Load and Utility racks.
- Add rack accessories including step ladder kits, ratchet straps, conduit carriers and more.
- I need:

ADDITIONAL STORAGE

- Determine the space needed for specialty equipment.
- Add accessories to shelving and partition
- Hooks, drawers, files, screens, and more.
- I need:

ADRIAN STEEL PARTITIONS KEEP CARGO WHERE IT BELONGS, IN THE CARGO AREA!

Partitions are sold as panel kits and wing kits. Please see application chart below to confirm the appropriate panel kit and wing kit for your vehicle. Partition panel kits and wing kits include assembly and installation fasteners for base van trim level. Higher trim levels may require modifying trim or partition. Wing kits are available in a standard position or an extended position for more leg room.



**S1 Solid
S2 Perforated Top**
Panels mount behind driver seat.

**M1 Solid
M2 Perforated Top**
Fixed center panels can be hinged as key-locking doors

**C1 Solid
C2 Perforated top**
Panels mount behind passenger seat.

Wing Kits
Available as standard setback or with extra 3" setback.

S-M-C SERIES PARTITIONS FOR GM EXPRESS & FORD ECONOLINE VANS

- Choose from solid or perforated panels.
- Partition mounts behind the B-pillar allowing for maximum cab comfort.
- Center M panels can be fixed or hinged with a key-locking door. All hinged door partitions come standard with two 6" hinges, bulb seal and a slam latch. These features reduce vibration noise.
- Partitions feature pre-drilled holes for adding accessories easily, and larger pass-through holes for routing wiring.
- Stamped steel panels reduce product weight without sacrificing strength.

Note: Extended wing kits reduce the amount of cargo space. Please confirm the interior layout of the van package to confirm that the extended wing kit has adequate room needed for installation. 3" extended wings not compatible with GM Pro/Access vans.

NEW COMPOSITE PARTITION FOR GM EXPRESS

Your mobile office is now more comfortable with an Adrian Steel composite partition. Sound deadening reduces driver distractions. Climate control reduces vehicle idle time for warm up and cool down. Generous leg room for less stress behind the wheel. The integrated steel frame provides the same level of performance that you are accustomed to from Adrian Steel.



- Available with or without a clear poly rear-view window.
- Add hooks along the integrated AD rail.
- Features a mounting location by the door for a fire extinguisher (not included.)



NEW

MODEL	DESCRIPTION	GM MOUNTING KIT	ECONOLINE MOUNTING KIT
FIXED CENTER PANEL			
S1M1C1FSV	Solid panels	WKC1FSVGM WKC1FSVGM3	WKC1FSVFD WKC1FSVFD3
S1M2C1FSV	Center panel perforated	WKC1FSVGM WKC1FSVGM3	WKC1FSVFD WKC1FSVFD3
S1M2C2FSV	Center and Curb panels perforated	WKC2FSVGM WKC2FSVGM3	WKC2FSVFD WKC2FSVFD3
S2M2C2FSV	All panels perforated	WKC2FSVGM WKC2FSVGM3	WKC2FSVFD WKC2FSVFD3
X1FSV	X Series Partition	WXX1FSVGM WXX1FSVGM3	WXX1FSVFD WXX1FSVFD3
HINGED CENTER PANEL "DOOR"			
S1M1HC1FSV	Solid panels	WKC1FSVGM WKC1FSVGM3	WKC1FSVFD WKC1FSVFD3
S1M2HC1FSV	Center panel perforated	WKC1FSVGM WKC1FSVGM3	WKC1FSVFD WKC1FSVFD3
S1M2HC2FSV	Center and Curb panels perforated	WKC2FSVGM WKC2FSVGM3	WKC2FSVFD WKC2FSVFD3
S2M2HC2FSV	All panels perforated	WKC2FSVGM WKC2FSVGM3	WKC2FSVFD WKC2FSVFD3
PARGM	Composite Partition w/ Visibility		
PARGM-NW	Composite Partition		

FINALLY!

A LADDER RACK DESIGNED AROUND YOU... NOT YOUR VEHICLE.

Introducing the All-New Drop-Down Ladder Rack from Adrian Steel!



The new, simpler design makes it easier to install and adjust. The aluminum build of the rack reduces corrosion and keeps your ladder rack looking like new. It will accommodate a variety of ladders and safely secure them for transport.

Technicians that are 5'-5" or taller can safely load and unload the ladder because of the lower, more ergonomic load and unload height. Durability testing ensures that the rack will stand the test of time and perform as it should for many years.



- DDL61GM** - Single Drop Down Ladder Rack
- DDL63GM** - Double Drop Down Ladder Rack
- DDL64GM** - Drop Down Combo Ladder Rack

Technicians that are 5'-5" or taller can easily load and unload the rack without climbing up on anything.

EXCLUSIVE!

With the turn of a knob, you can quickly adjust the rack to fit a wide variety of ladders.

NEW



Standard rack accommodates 28' extension ladder and 10' step ladder – short step ladders will need optional step ladder kit and up to 32' extension ladder with extension ladder kit.

ALL-NEW & COMPLETELY REDESIGNED ALUMINUM GRIP-LOCK RACK

Off-the-Roof, Angled Design Offers a Lower Reach Height than Traditional Grip-Lock Racks.

The innovative "tilt angle" design offers a lower reach height than traditional grip lock racks.



NEW

Technicians that are 5'-7" or taller can easily load and unload the rack without climbing up on anything.

Adrian Steel's completely redesigned grip-lock style ladder rack is designed to make your job easier when loading and unloading your ladders. The innovative "tilt angle" design offers a lower reach height than traditional grip lock style racks. Technicians that are 5'7" or taller can safely load and unload ladders with out having to climb up on something.

The clamping mechanism secures and protects ladders when they are stowed or in transit. A padlock can be added for extra security. The natural aluminum finish reduces corrosion and helps preserve the integrity of the rack.

The all-new Grip-Lock Ladder Rack is an economical option that will look great and perform effortlessly for many years on your van!



61-GLGM - Single Grip Lock Ladder Rack
63-GLGM - Double Grip Lock Ladder Rack

2B STEEL UTILITY RACK FOR EXPRESS & ECONOLINE

- The new design has eliminated much of the welding. This feature **reduces corrosion up to 80% more compared to similar goal-post style racks!**
- The uprights are fully plastisoled to protect against wear and reduce ladder fatigue.
- Uprights feature a number of attachment points for securing cargo straps.
- Designed to fit GM Express and Ford Econoline full size vans.
- Weather resistant cross bar is not cut to fit or perforated in any way improving longevity of the rack.
- Available in our durable black or white powder coat paint.
- Optional center bar supports shorter lengths and provides center support.

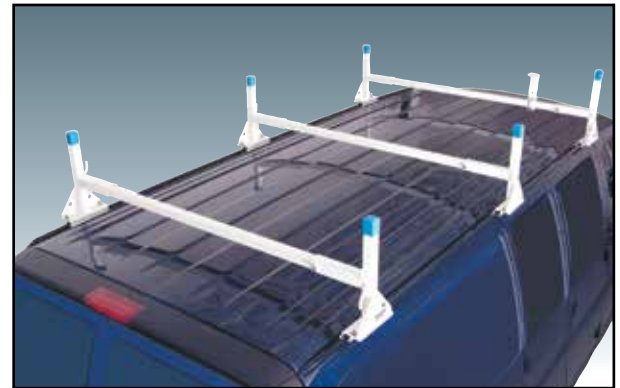
MODEL	DESCRIPTION
1BRS-B	Center Cross Bow Kit
1BRS-W	Center Cross Bow Kit
2BRS-B	Steel Two Bar Black
2BRS-W	2-Bar Utility Rack
SSK-BS	Side Stop Kit for 2BRS-B
SSK-WS	Side Stop Kit for 2BRS-W



2B ALUMINUM UTILITY RACK FOR EXPRESS & ECONOLINE

- Extra wide mount foot and welded tie hooks
- No drilling or cutting required to install prevents exposing metal to the weather.
- Available in our durable black or white powder coat paint.
- Upright caps protect ladders when loading and unloading.
- Optional center bar supports shorter lengths and provides center support.
- Designed to fit GM Express and Ford Econoline full size vans.

MODEL	DESCRIPTION
1BAR-B	Center Cross Bow Kit
1BAR-W	Center Cross Bow Kit
2BAR-B	2-Bar Utility Rack
2BAR-W	2-Bar Utility Rack
SSK-BA	Side Stop Kit Black
SSK-WA	Side Stop Kit



PERIMETER RACK FOR EXPRESS & ECONOLINE



The VP1 Perimeter Ladder Rack is designed to fit GM Express and Ford Econoline. Gutter mounted design requires no drilling. Crossmembers spaced from front bar are 52", 113" and 130" to slantdown rear bar.

- VPE1 Side Stop Kit for 2BRS-W
- Extend front of rack 30" with additional crossmember for extended long wheelbase full-size vans only.
- Maximize carrying capacity of van.
- Frame constructed from 2" x 1" 13 GA square tube.
- All racks include rope hooks for easy tie-down.
- Slantdown rear section eases loading.
- Powder coat paint finish for lasting protection.

MODEL	DESCRIPTION
VP1	Perimeter Ladder Rack
VPE1	Side Stop Kit for 2BRS-W
CC17	Center Crossbar for Van Perimeter Rack
RR5	Utility Rack Rear Roller

VAN ACCESSORIES	
AS12	Bumper Mounted Step
BS6VP	VP1 Beacon/Strobe Mounting Bracket
LS3VP	Ladder Stop Kit for VP1
RS4	Square Ratchet Strap
SH12	Grab Handle
80-1	Conduit Kit
80-2	Conduit Kit

STORING LADDERS INSIDE YOUR WORK VAN IS EASY AS 1, 2, 3, WITH THE LADDER KEEPER.

Designed to be loaded from outside the vehicle, the Ladder Keeper features a spring-loaded clamp that holds the ladder securely in place. Just set the top of the ladder in the front clamp bracket and push it forward until the bottom of the ladder sits in the rear clamp bracket. Can be mounted to the ceiling or wall of the vehicle to keep ladders inside and out of the elements.

GM Express/Ford Econoline



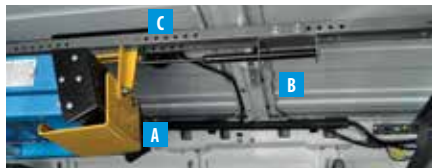
1 Simply press ladder inward to release rear ladder rung from the rear clamp bracket.



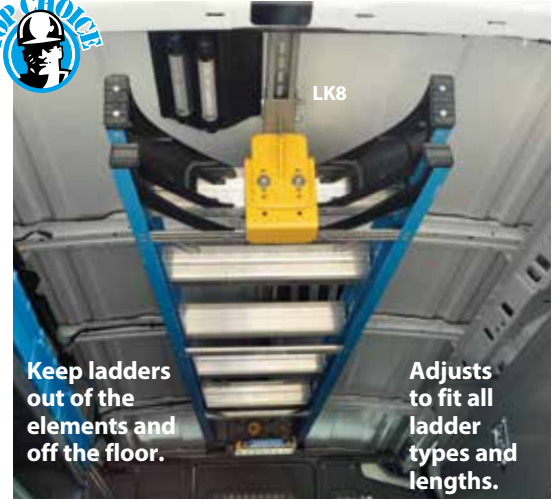
2 Walk the ladder back as the front clamp bracket glides on the track.



3 Remove front rung from the front clamp bracket and you're ready to go to the job site!



- A** Plastic coated clamps protect ladder rungs
- B** Gas spring compresses ladder for quiet and secure transportation
- C** Extruded track makes loading and unloading simple



Keep ladders out of the elements and off the floor.

Adjusts to fit all ladder types and lengths.

Ladder Keeper includes all parts needed to carry up to a 6' ladder in a regular wheelbase van and an 8' ladder in a long wheelbase van. To accommodate larger vehicles or ladders, you will require the LKX extension that provides 4' of additional track.

- LK8** - Ceiling Ladder Holder
- LKX** - Ceiling Ladder Holder Extension

Liner Kits

POLY LINER INTERIOR

- Liner panels are molded to conform to the shape of the van walls and run from floor to ceiling.
- The GM kit includes full length E-track and a hinged-door partition.
- The FORD kit features seamless, one-piece street and curbside panels, and is compatible with Adrian Steel shelving.
- The FORD Liner kit is compatible with Adrian Steel shelving.
- Optional E-track and straps available for the FORD kit.

3056G fits 2014-older Express/Savana LWB

3057G fits 2014-older Express/Savana XLWB

5384G fits 2015-on Express/Savana LWB

5384GX fits 2015-on Express/Savana XLWB

FDRWLN1 fits Ford Econoline LWB

FDXWLN1 fits Ford Econoline XLWB

39063 E-track and straps for Ford Econoline LWB

39335 E-track and straps for Ford Econoline XLWB



STORAGE SOLUTIONS THAT STAND UP TO THE JOB.

General Contractor packages feature flexibility with adjustable shelving and drop in dividers that can be configured for what you need today and adjusted for what you need down the road. Complete the package with a ladder or cargo rack, a driver data file to organize your paperwork, and a graphic to turn your vehicle into a billboard for your business.

GENERAL SERVICE STARTER

PACKAGE

4317G GM FSV long wheelbase

4317GX GM FSV x-long wheelbase

4317F Ford Econoline long wheelbase

4317FX Ford Econoline x-long wheelbase

Item	Model	Description	Qty
1	AD44FP	Adjustable 3-Shelf Unit	3
2	RKFSVLWB	Mounting Rail Kit	1
3	DV14C8	14" Shelf Dividers	1
4	919	3-Drawer Unit w/ Lock	1
5	S1M2HC2FSV	Steel Partition Panel Kit w/ Visibility & Door Kit	1
6	UH50	Utility Hook	2
7	DK4208	Door Kit w/ Open Back	2
8	TA1	4-Hook Bar	1
9	19	2-Drawer Unit w/ Lock	1
10	DC6	3-Drawer Unit	1
11	BRK14EPS	End Panel Mounting Bracket	2
12	WKC2FSVGM	Steel Partition Mounting Kit w/ Visibility	
1	WKC2FSVFD	Steel Partition Mounting Kit w/ Visibility	



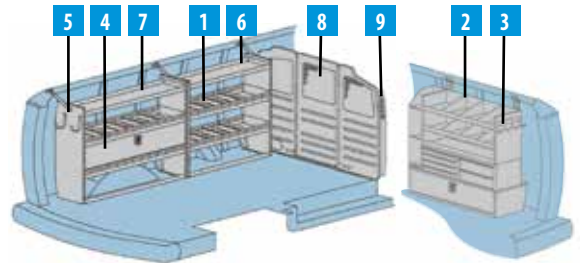
All Trade Packages include a steel cargo partition.

GENERAL SERVICE STARTER PACKAGE

2256G GM Full-Size Long Wheelbase Vans

2256F Ford Econoline Long Wheelbase Vans

Item	Model	Description	Qty.
1	DV14	Shelf Divider	14
2	MD507	Shelf and Drawer Module (includes: #18, #43, #40, #9, #19)	1
3	TA1	4-Hook Bar	1
4	DK552	Door Kit w/ Back Panel	1
5	UH50	Utility Hook	2
6	HD-42FP	3-Shelf Unit	1
7	HD-52FP	3-Shelf Unit	1
8	S1M2C2FSV	Steel Partition Panel Kit w/ Visibility	1
9	WKC2FSVGM	Steel Partition Mounting Kit w/ Visibility	1
	WKC2FSVFD	Steel Partition Mounting Kit w/ Visibility	1

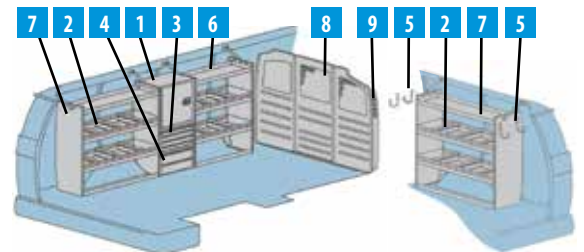


GENERAL SERVICE STARTER PACKAGE

2257G GM Full-Size Long Wheelbase Vans

2257F Ford Econoline Long Wheelbase Vans

Item	Model	Description	Qty.
1	12	Adjustable Single Shelf Cabinet w/Lock	1
2	DV14	Shelf Divider	16
3	9	4-Drawer Unit w/ Lock	1
4	19	2-Drawer Unit w/ Lock	1
5	UH50	Utility Hook	4
6	HD-32FP	3-Shelf Unit	1
7	HD-42FP	3-Shelf Unit	2
8	S1M2C2FSV	Steel Partition Panel Kit w/ Visibility	1
9	WKC2FSVGM	Steel Partition Mounting Kit w/ Visibility	1
	WKC2FSVFD	Steel Partition Mounting Kit w/ Visibility	1

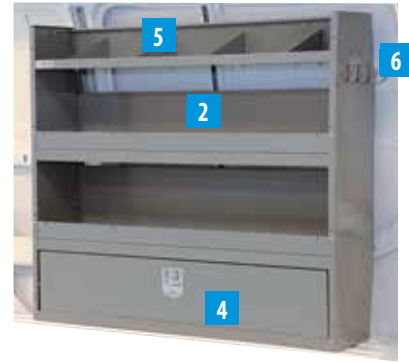


MAXIMIZE YOUR CARGO VAN STORAGE VOLUME WITH 44 SERIES WELDED SHELVING.

GENERAL CONTRACTOR PACKAGE

4135G GM Full-Size Long Wheelbase Vans

4135F Ford Econoline Long Wheelbase Vans



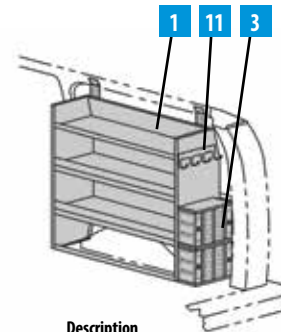
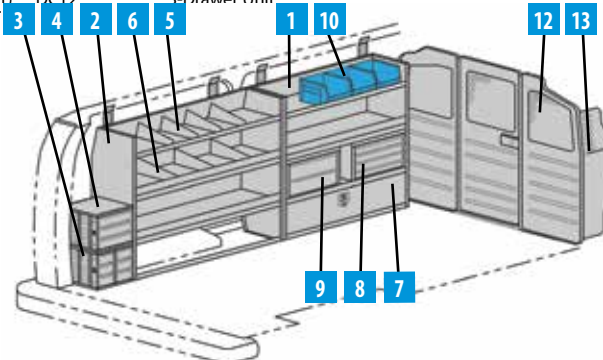
Item	Qty	Model	Description
1	(1)	4442	Welded 3-Shelf Unit
2	(1)	4450	Welded 3-Shelf Unit
3	(1)	4432	Welded 3-Shelf Unit
4	(1)	DK550	Door Kit
5	(1)	DV44U4	Top Shelf Divider Kit
6	(2)	TA1	4-Hook Bar
7	(1)	CL1446R	Adjustable 3-Shelf Cabinet w/ Lock
8	(1)	9	4-Drawer Unit w/ Lock
9	(1)	19	2-Drawer Unit w/ Lock
10	(1)	DC12	3-Drawer Unit

11	(3)	DC6	3-Drawer Unit
12	(1)	DK544	Door Kit
13	(3)	28	Parts Bin
14	(1)	S1M2HC2FSV	Steel Partition Panel Kit w/ Visibility & Door Kit (not pictured)
15	(1)	WKC2FSVGM	Steel Partition Mounting Kit w/ Visibility (not pictured)
	(1)	WKC2FSVFD	Steel Partition Mounting Kit w/ Visibility(not pictured)

INDUSTRIAL SERVICES PACKAGE

4136G GM Full-Size Long Wheelbase Vans

4136F Ford Econoline Long Wheelbase Vans



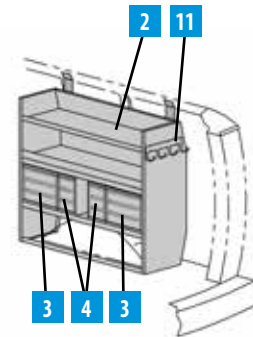
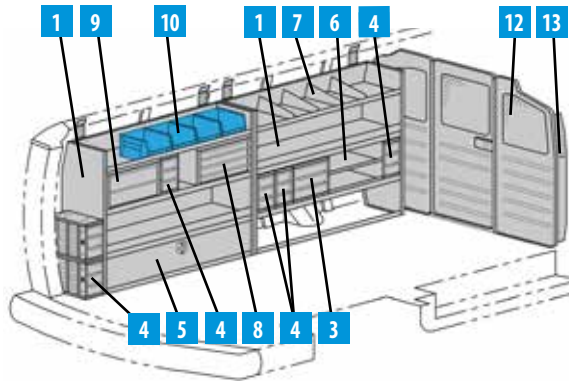
Item	Qty	Model	Description
1	(2)	4442	Welded 3-Shelf Unit
2	(1)	4450	Welded 3-Shelf Unit
3	(4)	DC6	3-Drawer Unit
4	(1)	DC12	3-Drawer Unit
5	(1)	DV44U4	Top Shelf Divider Kit
6	(3)	DV44L2	Dividers
7	(1)	DK544	Door Kit

8	(1)	9	4-Drawer Unit w/ Lock
9	(1)	19	2-Drawer Unit w/ Lock
10	(3)	28	Parts Bin
11	(1)	TA1	4-Hook Bar
12	(1)	S1M2HC2FSV	Steel Partition Panel Kit w/ Visibility & Door Kit
13	(1)	WKC2FSVGM	Steel Partition Mounting Kit w/ Visibility
	(1)	WKC2FSVFD	Steel Partition Mounting Kit w/ Visibility

GENERAL STORAGE PACKAGE

4138G GM Full-Size Long Wheelbase Vans

4138F Ford Econoline Long Wheelbase Vans



Item	Qty	Model	Description
1	(2)	4450	Welded 3-Shelf Unit
2	(1)	4442	Welded 3-Shelf Unit
3	(3)	DC12	3-Drawer Unit
4	(8)	DC6	3-Drawer Unit
5	(1)	DK550	Door Kit
6	(2)	SF11218DC	Shelf for DC Drawer Units 12"d x 18"w
7	(1)	DV44U4	Top Shelf Divider Kit

8	(1)	9	4-Drawer Unit w/ Lock
9	(1)	19	2-Drawer Unit w/ Lock
10	(4)	28	Parts Bin
11	(1)	TA1	4-Hook Bar
12	(1)	S1M2HC2FSV	Steel Partition Panel Kit w/ Visibility & Door Kit
13	(1)	WKC2FSVGM	Steel Partition Mounting Kit w/ Visibility
	(1)	WKC2FSVFD	Steel Partition Mounting Kit w/ Visibility

STORAGE SYSTEMS THAT ARE AS FLEXIBLE AS YOU ARE.

Is there anything that you don't have in the back of your van? For all the fittings, pipe and tools that you need to transport, you need an Adrian Steel Work Ready van with the trade specific equipment you'll use to do the job.

PLUMBING & HVAC STARTER PACKAGE

- 4318G GM FSV long wheelbase
- 4318GX GM FSV x-long wheelbase

- 4318F Ford Econoline long wheelbase
- 4318FX Ford Econoline x-long wheelbase

Item	Model	Description	Qty
1	AD44FP	Adjustable 3-Shelf Unit	3
2	RKFSVLWB	Mounting Rail Kit	1
3	DV14C8	14" Shelf Dividers	1
4	919	3-Drawer Unit w/ Lock	1
5	S1M2HC2FSV	Steel Partition Panel Kit w/ Visibility & Door Kit	1
6	WTR230150	Welded Tank Rack	1
7	19	2-Drawer Unit w/ Lock	2
8	DC6	3-Drawer Unit	3
9	DC12	3-Drawer Unit	1
10	DK4208	Door Kit w/ Open Back	2
11	TA1	4-Hook Bar	1
12	VMA36	Vice Mount Assembly	1
13	BRK14EPS	End Panel Mounting Bracket	1
14	RKAWTR	Welded Tank Rack Rail Adapter	1
15	WKC2FSVGM	Steel Partition Mounting Kit w/ Visibility	
1	WKC2FSVFD	Steel Partition Mounting Kit w/ Visibility	

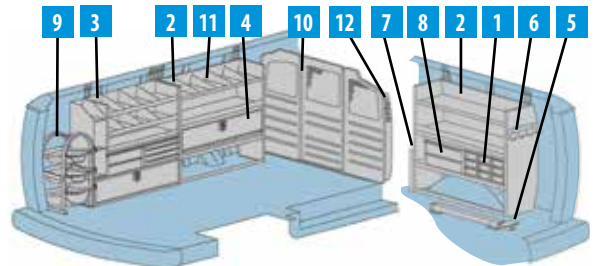


PHVAC PACKAGE

2251G Plumbing, Heating, & A/C Starter Package

2251F Plumbing, Heating, & A/C Starter Package

Item	Model	Description	Qty.
1	DS36012H	9-Drawer Unit	1
2	4442	Welded 3-Shelf Unit	2
3	MD507	Shelf and Drawer Module (includes: #18, #43, #40, #9, #19)	1
4	DK544	Door Kit	1
5	VMA36	Vise Mount Assembly	1
6	TA1	4-Hook Bar	1
7	TH50	Tank Holder	1
8	19	2-Drawer Unit w/ Lock	1
9	WTR230150	Welded Tank Rack	1
10	S1M2C2FSV	Steel Partition Panel Kit w/ Visibility	1
11	DV44U4	Top Shelf Divider Kit	1
12	WKC2FSVGM	Steel Partition Mounting Kit w/ Visibility	1
	WKC2FSVFD	Steel Partition Mounting Kit w/ Visibility	1

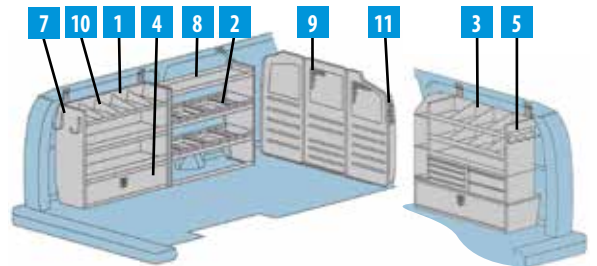


PLUMBING, HEATING, & A/C STARTER PACKAGE

2261G GM Full-Size Long Wheelbase Vans

2261F Ford Econoline Long Wheelbase Vans

Item	Model	Description	Qty.
1	4442	Welded 3-Shelf Unit	1
2	DV14	Shelf Divider	6
3	MD507	Shelf and Drawer Module	1
4	DK544	Door Kit	1
5	TA1	4-Hook Bar	1
6	DTWL21	Door Tray w/ Latching Lid (not shown)	2
7	UH50	Utility Hook	2
8	HD-42FP	3-Shelf Unit	1
9	S1M2C2FSV	Steel Partition Panel Kit w/ Visibility	1
10	DV44U4	Top Shelf Divider Kit	1
11	WKC2FSVGM	Steel Partition Mounting Kit w/ Visibility	1
	WKC2FSVFD	Steel Partition Mounting Kit w/ Visibility	1



IF IT IS YOUR JOB TO KEEP UP WITH THE LATEST TECHNOLOGY, IT'S OUR JOB TO KEEP THAT TECHNOLOGY ORGANIZED AND EASILY ACCESSIBLE!

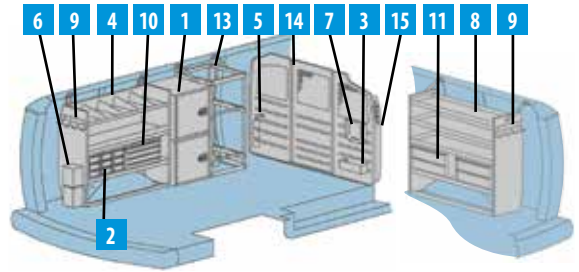
Cable TV interiors are designed specifically for service technicians who need to make fast and efficient service and installation calls. Divided shelving and composite drawers are perfect for keeping connectors, adapters, wall plates, cables, splitters and every other small component organized and in its place.

CABLE STARTER PACKAGE

2258G GM Full-Size Long Wheelbase Vans

2258F Ford Econoline Long Wheelbase Vans

Item	Model	Description	Qty.
1	1	Adjustable Single Shelf Cabinet w/Lock	2
2	DS36012H	9-Drawer Unit	1
3	PA9	First Aid Tray	1
4	4442	Welded 3-Shelf Unit	1
5	PA8	Fire Extinguisher	1
6	PA7	Reflector Kit w/ Bracket	1
7	TA2	Hard Hat Holder	1
8	50-42	4-Shelf Unit	1
9	TA1	4-Hook Bar	2
10	9	4-Drawer Unit w/ Lock	1
11	19	2-Drawer Unit w/ Lock	2
12	CCD12	Center Console	1
13	KDRH2	2-Bar Wire Reel Holder	1
14	S1M2C2FSV	Steel Partition Panel Kit w/ Visibility	1
15	DV44U4	Top Shelf Divider Kit	1
15	WKC2FSVGM	Steel Partition Mounting Kit w/ Visibility	1
	WKC2FSVFD	Steel Partition Mounting Kit w/ Visibility	1

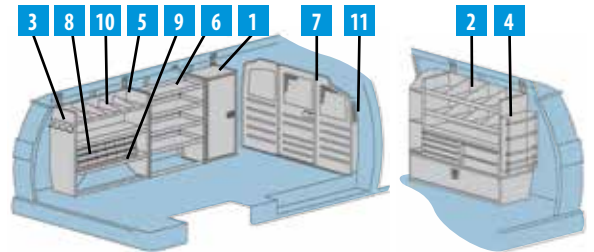


SATELLITE INSTALLATION STARTER PACKAGE

3230G GM Full-Size Long Wheelbase Vans

3230F Ford Econoline Long Wheelbase Vans

Item	Model	Description	Qty.
1	CL1446R	Adjustable 3-Shelf Cabinet w/ Lock	1
2	MD507	Shelf and Drawer Module	1
3	TA1	4-Hook Bar	1
4	WRH5	5-Bar Spool Holder	1
5	4442	Welded 3-Shelf Unit	1
6	50-32	4-Shelf Unit	1
7	S1M2HC2FSV	Steel Partition Panel Kit w/ Visibility & Door Kit	1
8	36	18-Drawer Unit	1
9	39	Riser	1
10	DV44U4	Top Shelf Divider Kit	1
11	WKC2FSVGM	Steel Partition Mounting Kit w/ Visibility	1
	WKC2FSVFD	Steel Partition Mounting Kit w/ Visibility	1



All Trade Packages include a steel cargo partition.

Organize connectors, splitters, adapters and many other small parts in an SPT Tote and tray system. Removable trays have small, divided compartments for easily identifying and choosing what you need to take to the jobsite.



GM Express/Ford Econoline

KEEP EVERYTHING IN IT'S PLACE AND EASILY ACCESSIBLE.

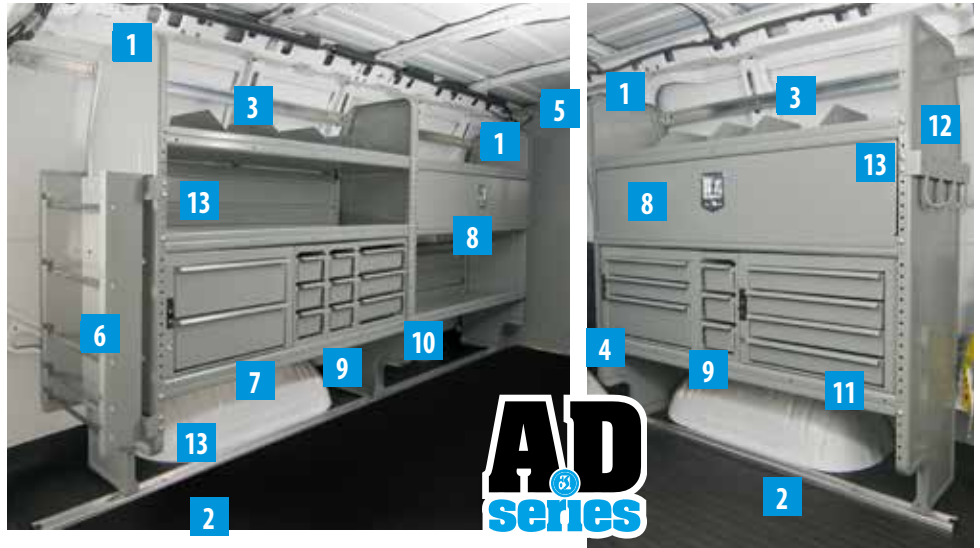
Time is money, and no one wants to pay you to dig through your van to find the connectors, junction boxes or tools you need to do the job. You don't want to wait either, so get your interior, ladder rack and graphics wrap all done at one place.

ELECTRICAL & GAS STARTER PACKAGE

4319G GM FSV long wheelbase
4319GX GM FSV x-long wheelbase

4319F Ford Econoline long wheelbase
4319FX Ford Econoline x-long wheelbase

Item Model	Description	Qty
1 AD44FP	Adjustable 3-Shelf Unit	3
2 RKF5VLWB	Mounting Rail Kit	1
3 DV14C8	14" Shelf Dividers	1
4 919	3-Drawer Unit w/ Lock	1
5 S1M2HC2FSV	Steel Partition Panel Kit w/ Visibility & Door Kit	1
6 WRH5	5-Bar Spool Holder	1
7 19	2-Drawer Unit w/ Lock	1
8 DK4208	Door Kit w/ Open Back	2
9 DC6	3-Drawer Unit	3
10 DC12	3-Drawer Unit	1
11 9	4-Drawer Unit w/ Lock	1
12 TA1	4-Hook Bar	1
13 BRK14EPS	End Panel Mounting Bracket	3
14 WKC2FSVGM	Steel Partition Mounting Kit w/ Visibility	1
WKC2FSVFD	Steel Partition Mounting Kit w/ Visibility	1

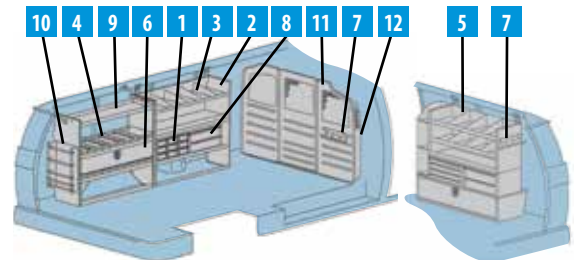


ELECTRICAL STARTER PACKAGE

2252G GM Full-Size Long Wheelbase Vans

2252F Electrical Starter Package

Item	Model	Description	Qty.
1	DS36012H	9-Drawer Unit	1
2	4442	Welded 3-Shelf Unit	1
3	DV44U4	Top Shelf Divider Kit	1
4	DV14	Shelf Divider	8
5	MD507	Shelf and Drawer Module	1
6	DK542	Door Kit w/ Back Panel	1
7	TA1	4-Hook Bar	2
8	19	2-Drawer Unit w/ Lock	1
9	HD-42FP	3-Shelf Unit	1
10	WRH5	5-Bar Spool Holder	1
11	S1M2C2FSV	Steel Partition Panel Kit w/ Visibility	1
12	WKC2FSVGM	Steel Partition Mounting Kit w/ Visibility	1
WKC2FSVFD	Steel Partition Mounting Kit w/ Visibility	1	

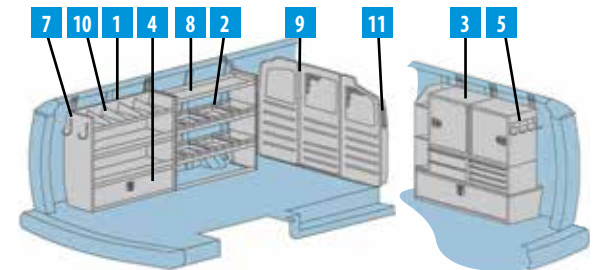


ELECTRICAL STARTER PACKAGE

2262G GM Full-Size Long Wheelbase Vans

2262F Ford Econoline Long Wheelbase Vans

Item	Model	Description	Qty.
1	4442	Welded 3-Shelf Unit	1
2	DV14	Shelf Divider	6
3	MD506	Shelf and Drawer Module (includes: 2-#12, #43, #40, #9, #19)	1
4	DK544	Door Kit	1
5	TA1	4-Hook Bar	1
6	DTW21	Door Tray with Lid and Latches (not shown)	2
7	UH50	Utility Hook	2
8	HD-42FP	3-Shelf Unit	1
9	S1M2C2FSV	Steel Partition Panel Kit w/ Visibility	1
10	DV44U4	Top Shelf Divider Kit	1
11	WKC2FSVGM	Steel Partition Mounting Kit w/ Visibility	1
WKC2FSVFD	Steel Partition Mounting Kit w/ Visibility	1	

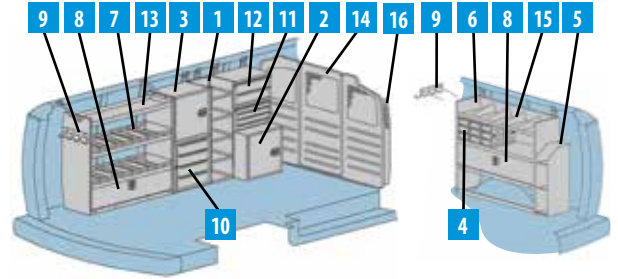


THE KEY TO BEING A MOBILE LOCKSMITH IS HAVING EVERYTHING YOU NEED WHEREEVER YOU ARE.

Whether you are helping stranded motorists get back into their vehicle or installing a home security system, having everything needed for the job will keep your work day or night operating efficiently. Both Adrian's Alarm and Locksmith packages feature ample small parts storage and plenty of lockable storage space.

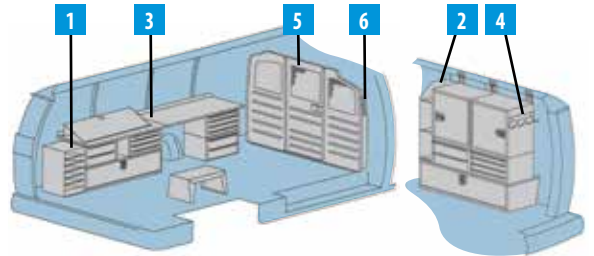
SECURITY ALARM STARTER PACKAGE

Item	Model	Description	Qty.
1	33	4-Shelf Unit	1
2	1	Adjustable Single Shelf Cabinet w/Lock	1
3	12	Adjustable Single Shelf Cabinet w/Lock	1
4	DC6	3-Drawer Unit	3
5	43	3-Shelf Literature Rack	1
6	4442	Welded 3-Shelf Unit	1
7	DV14	Shelf Divider	8
8	DK544	Door Kit	2
9	TA1	4-Hook Bar	2
10	2	4-Drawer Unit	1
11	9	4-Drawer Unit w/ Lock	1
12	19	2-Drawer Unit w/ Lock	1
13	HD-42FP	3-Shelf Unit	1
14	S1M2C2FSV	Steel Partition Panel Kit w/ Visibility	1
15	DV44U4	Top Shelf Divider Kit	1
16	WKC2FSVGM	Steel Partition Mounting Kit w/ Visibility	1
	WKC2FSVFD	Steel Partition Mounting Kit w/ Visibility	1



LOCKSMITH STARTER PACKAGE

Item	Model	Description	Qty.
1	17A	6-Shelf Catalog File	1
2	MD506	Shelf and Drawer Module	1
3	MD608	Workbench Module (includes: 2-#54, #40, 2-#9, 2-#19, #14, KMB36)	1
4	TA1	4-Hook Bar	1
5	S1M2HC2FSV	Steel Partition Panel Kit w/ Visibility & Door Kit	1
6	WKC2FSVGM	Steel Partition Mounting Kit w/ Visibility	1
	WKC2FSVFD	Steel Partition Mounting Kit w/ Visibility	1



Key Machine Base holds key cutting machines at a 25-degree slope towards the operator for easy cutting. Mounts to No. 54 Workbench. Two sizes available to hold one or two machines.
KMB36 - Key Machine Base
KMB18 - Key Machine Base



25° slope for easy cutting

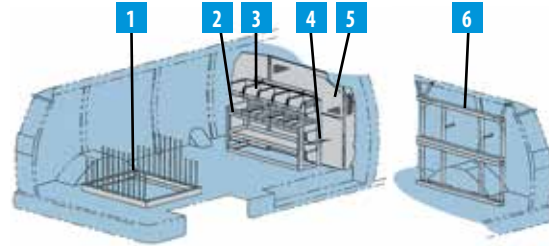


GM Express/Ford Econoline

THE ONLY VAN INTERIOR DESIGNED AROUND THE AUTOMOTIVE GLASS REPAIR PROFESSIONAL. FEATURING BURCO GLASS RACKS.



Package shown with S-M-C partition option.



AUTO GLASS STARTER PACKAGE

4145G GM Full-Size Long Wheelbase Vans
4145F Ford Econoline Long Wheelbase Vans

Item	Model	Description	Qty.
1	45047	S-111524B Burco Auto Glass Rack	1
2	AGSS24	Auto Glass Storage Station	1
3	28	Parts Bin	5
4	AGSCH2	Suction Cup Holder	1
5	X1FSV	Steel Partition w/ Visibility	1
6	AGTW4	Auto Glass Trim Weld Storage	1
7	WKX1FSVGM	Steel Partition Mounting Kit w/ Visibility	1
	WKX1FSVFD	Partition Wing Kit FORD	1

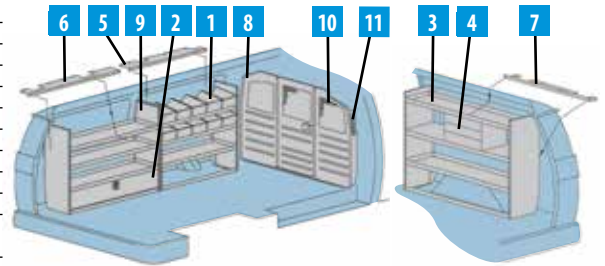
Trade Packages

GM Express Access/Savana Pro

2940G COMMERCIAL STARTER PACKAGE

GM Pro/Access Full-Size Long Wheelbase Vans

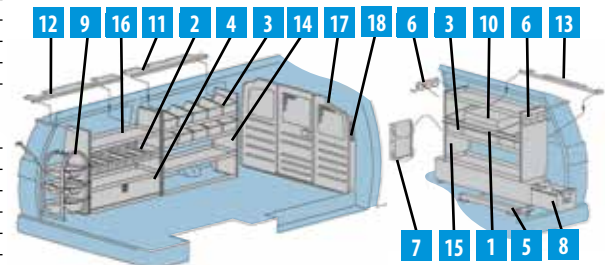
Item	Model	Description	Qty.
1	24	Parts Bin	10
2	DK552A	Door Kit	1
3	AP6	3-Shelf Unit	1
4	919	3-Drawer Unit w/ Lock	1
5	MB121	Driver Side Front Mounting Bracket	1
6	MB122	Driver Side Rear Mounting Bracket	1
7	MB123	Passenger Side Mounting Bracket	1
8	AP1	3-Shelf Unit	1
9	AP2	3-Shelf Unit	1
10	S1M2HC2FSV	Steel Partition Panel Kit w/ Visibility & Door Kit	1
11	WKC2FSVGM	Steel Partition Mounting Kit w/ Visibility	1



2942G HVAC STARTER PACKAGE

GM Pro/Access Full-Size Long Wheelbase Vans

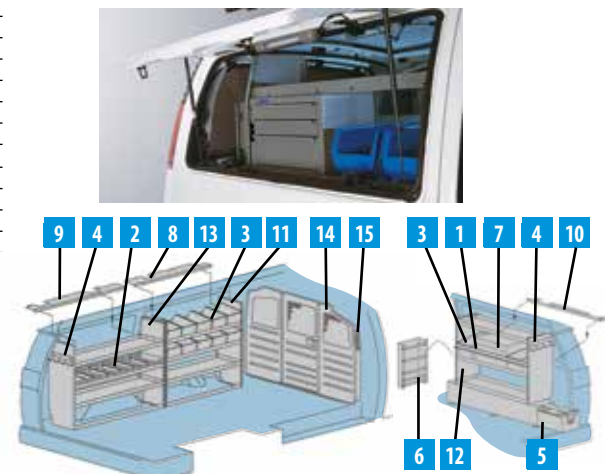
Item	Model	Description	Qty.
1	FR42	Floor Rail 42"	1
2	DV14	Shelf Divider	4
3	24	Parts Bin	12
4	DK544	Door Kit	1
5	VMA 36	Vise Mount Assembly	1
6	TA1	4-Hook Bar	2
7	TH50	Tank Holder	1
8	SA-10	Single Compartment Floor Drawer	1
9	WTR230150	Welded Tank Rack	1
10	919	3-Drawer Unit w/ Lock	1
11	MB121	Driver Side Front Mounting Bracket	1
12	MB122	Driver Side Rear Mounting Bracket	1
13	MB123	Passenger Side Mounting Bracket	1
14	AP1	3-Shelf Unit	1
15	AP3	3-Shelf Unit	1
16	AP 5	KD Shelf Unit	1
17	S1M2HC2FSV	Steel Partition Panel Kit w/ Visibility & Door Kit	1
18	WKC2FSVGM	Steel Partition Mounting Kit w/ Visibility	1



2941G ELECTRICAL STARTER PACKAGE

GM Pro/Access Full-Size Long Wheelbase Vans

Item	Model	Description	Qty.
1	FR42	Floor Rail 42"	1
2	DV14	Shelf Divider	5
3	24	Parts Bin	12
4	TA1	4-Hook Bar	2
5	SA-10	Single Compartment Floor Drawer	1
6	WRH5	5-Bar Spool Holder	1
7	919	3-Drawer Unit w/ Lock	1
8	MB121	Driver Side Front Mounting Bracket	1
9	MB122	Driver Side Rear Mounting Bracket	1
10	MB123	Passenger Side Mounting Bracket	1
11	AP1	3-Shelf Unit	1
12	AP3	3-Shelf Unit	1
13	AP4	3-Shelf Unit	1
14	S1M2HC2FSV	Steel Partition Panel Kit w/ Visibility & Door Kit	1
15	WKC2FSVGM	Steel Partition Mounting Kit w/ Visibility	1



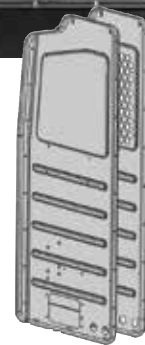


LOW ROOF PARTITION

S PANEL

M PANEL

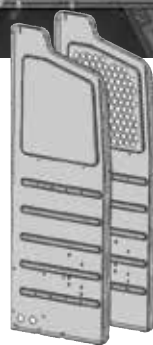
C PANEL



S1 - Solid
S2 - Perforated
Mounts behind driver seat.



M1 - Solid
M2 - Perforated
Center panel. Also available as a hinged door.



C1 - Solid
C2 - Perforated
Mounts behind passenger seat.

S-M-C SERIES PARTITIONS FOR TRANSIT VAN

- Choose from solid or perforated panels.
- Partition mounts behind the B-pillar allowing for maximum cab comfort.
- Compliant with Transit's safety features.
- Center M panels can be fixed or hinged with a key-locking door. All hinged door partitions come standard with two 6" hinges, bulb seal and a slam latch. These features reduce vibration noise.
- The MEDIUM and HIGH ROOF Transit partition door has a 60" opening height.
- Partitions feature pre-drilled holes for adding accessories easily, and larger pass-through holes for routing wiring.
- The LOW ROOF Transit partition features a robust roll-bar design that allows it to be compliant with the Transit's safety features. It does not interfere with the side-curtain airbag system or seatbelts.
- Stamped steel panels on the LOW ROOF Transit reduce product weight without sacrificing strength.



MEDIUM ROOF PARTITION



HIGH ROOF PARTITION

MODEL	DESCRIPTION
LOW ROOF FIXED CENTER PANEL	
S1M1C1FSV	Solid panels
S1M2C1FSV	Center panel perforated
S1M2C2FSV	Center and Curb panels perforated
S2M2C2FSV	All panels perforated
LOW ROOF HINGED CENTER PANEL "DOOR"	
S1M1HC1FSV	Solid panels
S1M2HC1FSV	Center panel perforated
S1M2HC2FSV	Center and Curb panels perforated
S2M2HC2FSV	All panels perforated
MED/HIGH ROOF FIXED CENTER PANEL	
S1M1C1PM	Solid panels
S1M2C2PM	Center and Curb panels perforated
MED/HIGH ROOF HINGED CENTER PANEL "DOOR"	
S1M1HC1PM	Solid panels
S1M2HC2PM	Center and Curb panels perforated
PARTITION WING KITS	
WKC1FDTS	Steel Partition Mounting Kit
WKC1FDTM	Steel Partition Mounting Kit
WKC1FDTH	Steel Partition Mounting Kit

Partitions are sold as panel kits and wing kits. Please see application chart to confirm the appropriate panel kit and wing kit for your vehicle.

FOR A MORE COMFORTABLE MOBILE OFFICE

NEW COMPOSITE PARTITION FOR LOW AND MID ROOF TRANSIT

Your mobile office is now more comfortable with an Adrian Steel composite partition. Sound deadening reduces driver distractions. Climate control reduces vehicle idle time for warm up and cool down. Generous leg room for less stress behind the wheel. The integrated steel frame provides the same level of performance that you are accustomed to from Adrian Steel.

- Available with or without a clear poly rear-view window.
- Add hooks along the integrated AD rail.
- Features a mounting location by the door for a fire extinguisher (not included.)

Organize
Partitions are great location to hang your cargo. Easily add safety items like fire extinguishers and first aid kits, or hooks to hang your extension cords or hoses. Additional accessory kits are available to customize your Adrian Steel composite partition even more.

Sound Deadening
Reduce the harshness of the cargo noise entering the cab area. This reduces driver distractions and makes for a quieter environment to communicate when driving.

Climate Control
Quickly cool down or heat up the cab area of the cargo van, reduce idle time doing so and save fuel!

Leg Room
Full seat travel and a comfortable recline angle makes the composite partition our most comfortable line of partitions we sell.

Ford Transit

Low Roof

- PARFTL**
Composite Partition w/ Visibility
- PARFTL-NW**
Composite Partition

Mid Roof

- PARFTM**
Composite Partition w/ Visibility
- PARFTM-NW**
Composite Partition

High Roof

- PARFTH**
Composite Partition w/ Visibility
- PARFTH-NW**
Composite Partition



PARFTL



PARFTM-NW



PARFTH

CONFIGURE YOUR TRANSIT TO YOUR SPECIFIC CARGO MANAGEMENT NEEDS.

Adrian Steel Shelving options are designed to best utilize the space within your van.

LOW ROOF



WELDED SHELVING FOR LOW ROOF TRANSIT

The **44 Series Welded Shelving** feature welded shelves, back panels and end panels. These fully welded shelf units allow for greater weight capacity and reduce cargo noise. Add drawer units, dividers and removable bins to customize your setup.



MODEL	DESCRIPTION
4432	Welded 3-Shelf Unit
4442	Welded 3-Shelf Unit
4450	Welded 3-Shelf Unit

MEDIUM & HIGH ROOF



HAD SHELVING FOR MEDIUM & HIGH ROOF TRANSIT

The **HAD shelving units** feature two ADseries adjustable shelves in the center of the shelf unit. These two shelves feature a 2" lip and, with only a screwdriver, can be adjusted up or down on one inch increments. Includes two steel back panels and shelves have pre-drilled holes for adding dividers, drawer units and other plug and play accessories. Must be installed with a Rail Kit. See page 63 for the appropriate Rail Kit.

MODEL	OVERALL SIZE
HAD3259	32" x 59" x 14"
HAD4459	44" x 59" x 14"
HAD5059	50" x 59" x 14"

JD SERIES JUMBO DEEP SHELVING

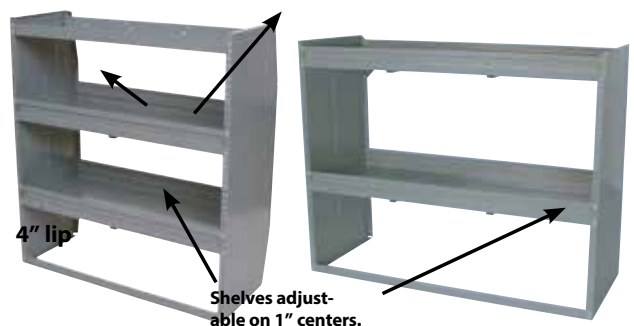
- Available in 18" and 24" depths.
 - Shelf gussets and floor rail provide extra strength.
 - 18" deep units contain one 14" and two 18" deep shelves.
 - 24" deep units have squared end panels and two shelves.
- See chart.

MODEL	OVERALL SIZE	OPEN SHELF SPACE
JD42FP	42"W x 46"H x 18"D	14.58 sq ft
JD52FP	52"W x 46"H x 18"D	18.56 sq ft
JD48FP	48"W x 48"H x 24"D	20.21 sq ft
JD60FP	60"W x 48"H x 24"D	20 sq ft

HD SHELVING FOR MEDIUM & HIGH ROOF TRANSIT

The **HD shelving units** feature KD adjustable shelves. The top and bottom shelf feature a 2" lip, the center two shelves feature a 4" lip. Each shelf can be adjusted up or down on one inch increments.

MODEL	OVERALL SIZE
HD3259	32" x 59" x 14"
HD4459	44" x 59" x 14"
HD5059	50" x 59" x 14"



Contoured top and bottom steel end panels maximize aisle space.

Shelves adjustable on 1" centers.

ALL-NEW & COMPLETELY REDESIGNED ALUMINUM GRIP-LOCK RACK

Off-the-Roof, Angled Design Offers a Lower Reach Height than Traditional Grip-Lock Racks.

The innovative “tilt angle” design offers a lower reach height than traditional grip lock racks.



Ford Transit

NEW

Technicians that are 5’-7” or taller can easily load and unload the rack without climbing up on anything.

Adrian Steel’s completely redesigned grip-lock style ladder rack is designed to make your job easier when loading and unloading your ladders. The innovative “tilt angle” design offers a lower reach height than traditional grip lock style racks. Technicians that are 5’7” or taller can safely load and unload ladders with out having to climb up on something.

The clamping mechanism secures and protects ladders when they are stowed or in transit. A padlock can be added for extra security. The natural aluminum finish reduces corrosion and helps preserve the integrity of the rack.

The all-new Grip-Lock Ladder Rack is an economical option that will look great and perform effortlessly for many years on your van!



61-GLFTL - Single Grip Lock Ladder Rack
63-GLFTL - Double Grip Lock Ladder Rack

FINALLY!

A LADDER RACK DESIGNED AROUND YOU... NOT YOUR VEHICLE.

Introducing the All-New Drop-Down Ladder Rack from Adrian Steel!



The new, simpler design makes it easier to install and adjust. The aluminum build of the rack reduces corrosion and keeps your ladder rack looking like new. It will accommodate a variety of ladders and safely secure them for transport.

Technicians that are 5'-5" or taller can safely load and unload the ladder because of the lower, more ergonomic load and unload height. Durability testing ensures that the rack will stand the test of time and perform as it should for many years.

NEW



EXCLUSIVE!

With the turn of a knob, you can quickly adjust the rack to fit a wide variety of ladders.

DDL61FTL - Passenger Side Drop Down Ladder Rack

DDL63FTL - Double Drop Down Ladder Rack

DDL64FTL - Drop Down Combo Ladder Rack

Technicians that are 5'-5" or taller can easily load and unload the rack without climbing up on anything.

Standard rack accommodates 28' extension ladder and 10' step ladder – short step ladders will need optional step ladder kit and up to 32' extension ladder with extension ladder kit.

ALUMINUM UTILITY RACK FOR TRANSIT LOW ROOF



LOW ROOF TRANSIT

- This all aluminum rack is corrosion free! Available in white or black powder coat paint.
- The uprights are fully plastisolled to protect against wear and reduce ladder fatigue.
- Uprights feature many attachment points for securing cargo straps.
- The Rear Roller Bar eases the loading and unloading of the rack. The Rear Roller comes standard with the 2 and 3 Bar racks.
- Optional center bars support shorter lengths and provide additional support.
- Utilizes factory attachment points in roof so no drilling is needed.
- The Utility Rack rail system allows for 7 foot crossbar spacing.

MODEL	DESCRIPTION	COLOR
3BARRFT-B	3-Bar Utility Rack w/ Rear Roller	Black
3BARRFT-W	3-Bar Utility Rack w/ Rear Roller	White
2BARRFT-B	2-Bar Utility Rack w/ rear Roller	Black
2BARRFT-W	2-Bar Utility Rack w/ rear Roller	White
1BARRFT-B	Center Cross Bow Kit	Black
1BARRFT-W	Center Cross Bow Kit	White
80-1	Conduit Kit	
80-2	Conduit Kit	

FINALLY!

A LADDER RACK DESIGNED AROUND YOU... NOT YOUR VEHICLE.

Introducing the All-New Drop-Down Ladder Rack from Adrian Steel!



Our most user friendly ladder rack ever! Featuring the patent pending twist to adjust! The fastest way to adjust your rack to your ladder! The outboard design and two stage drop brings ladder down to an ergonomic load position where operators 5' 4" or taller can safely load and unload the ladder. The aluminum build of the rack reduces corrosion and keeps your ladder rack looking like new. Adrian Steel's Drop-Down Ladder Rack will accommodate a variety of ladders and safely secure them for transport.

Ford Transit

- DDL61FTM** - Single Drop Down Ladder Rack
- DDL63FTM** - Double Drop Down Ladder Rack
- DDL63SLKFT** - Step Ladder Kit



EXCLUSIVE!

With the turn of a knob, you can quickly adjust the rack to fit a wide variety of ladders.

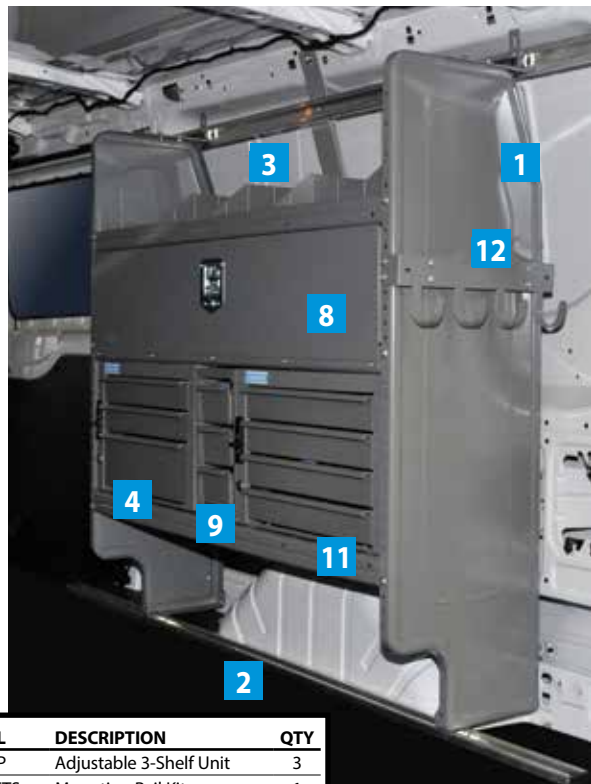
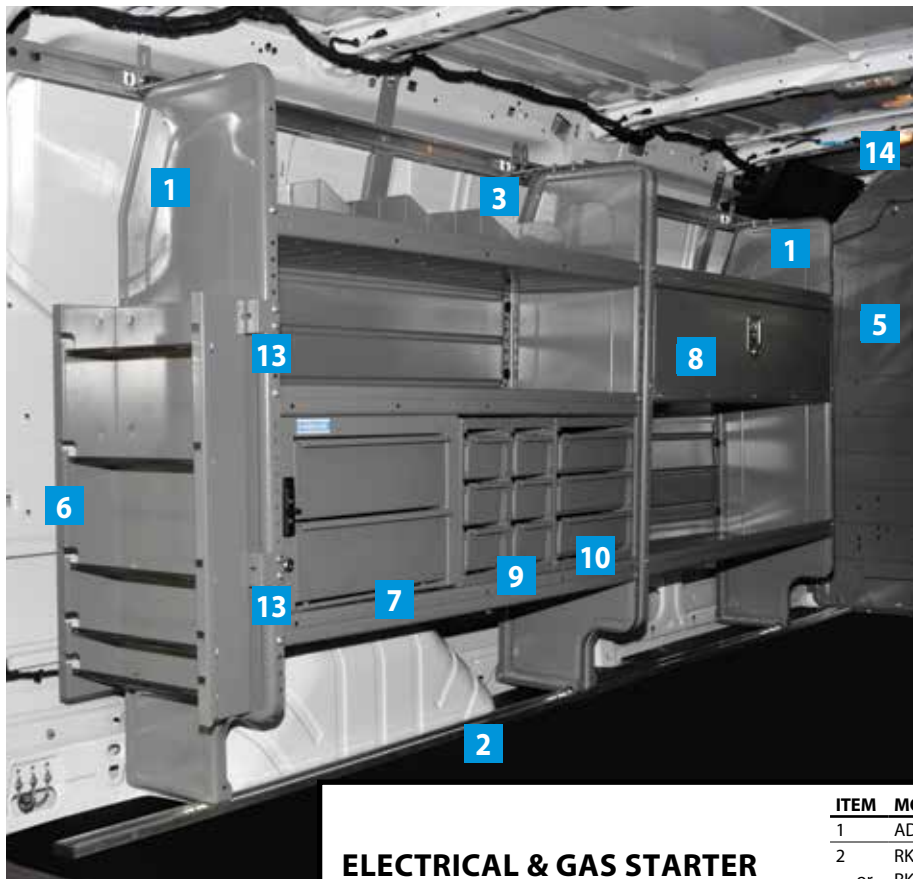
Technicians that are 5'-4" or taller can easily load and unload the rack without climbing up on anything.

NEW



We know different jobs require different ladders. The new Drop-Down ladder rack safely transports all different types of ladders. Extension ladders, step ladders and specialty ladders. Standard rack accommodates 28' extension ladder and 10' step ladder – short step ladders will need optional step ladder kit and up to 32' extension ladder with extension ladder kit.

See it in action on AdrianSteel.com



ELECTRICAL & GAS STARTER PACKAGE

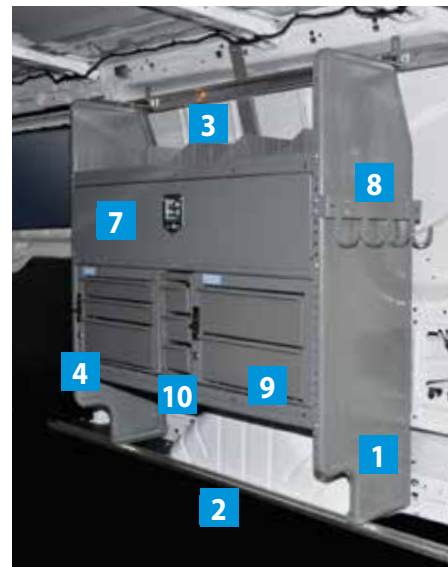
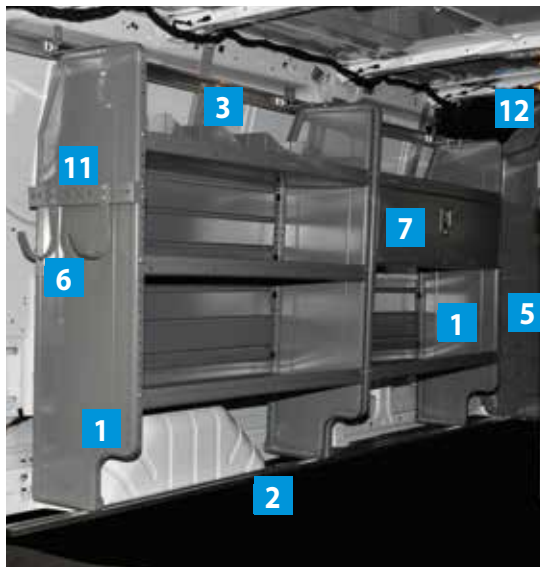
4319TL130 Transit 130"WB Low Roof
4319TL148 Transit 148"WB Low Roof

ITEM	MODEL	DESCRIPTION	QTY
1	AD44FP	Adjustable 3-Shelf Unit	3
2	RK130FTS or RK148FTS	Mounting Rail Kit	1
3	DV14C8	14" Shelf Dividers	1
4	919	3-Drawer Unit w/ Lock	1
5	S1M2HC2FSV	Steel Partition Panel Kit w/ Visibility & Door Kit	1
6	WRH5	5-Bar Spool Holder	1
7	19	2-Drawer Unit w/ Lock	1
8	DK4208	Door Kit w/ Open Back	2
9	DC6	3-Drawer Unit	3
10	DC12	3-Drawer Unit	1
11	9	4-Drawer Unit w/ Lock	1
12	TA1WAD	4-Hook Bar w/ Adapter	1
13	BRK14EPS	End Panel Mounting Bracket	2
14	WKC1FDTS	Steel Partition Mounting Kit	1

GENERAL SERVICE STARTER PACKAGE

4317TL130 Transit 130"WB Low Roof
4317TL148 Transit 148"WB Low Roof

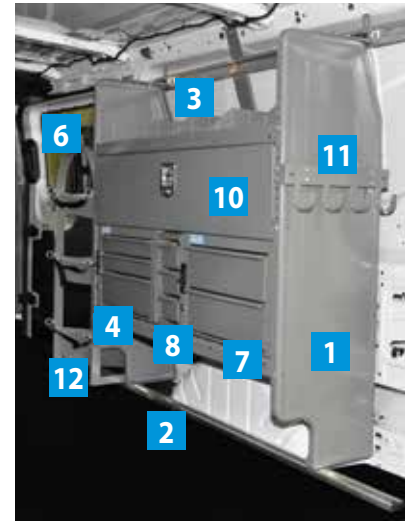
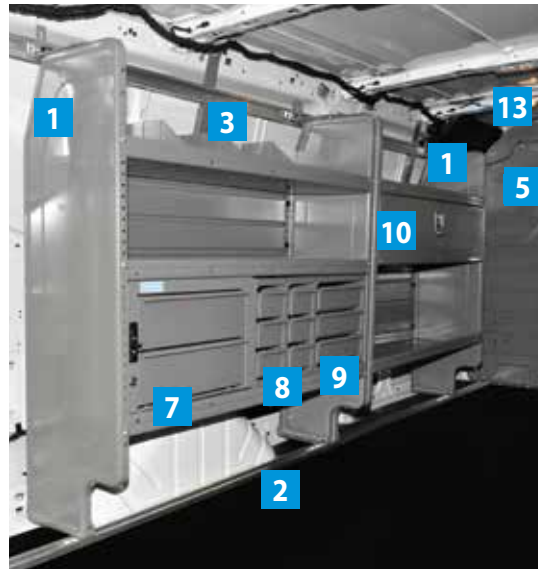
ITEM	MODEL	DESCRIPTION	QTY
1	AD44FP	Adjustable 3-Shelf Unit	3
2	RK130FTS or RK148FTS	Mounting Rail Kit	1
3	DV14C8	14" Shelf Dividers	1
4	919	3-Drawer Unit w/ Lock	1
5	S1M2HC2FSV	Steel Partition Panel Kit w/ Visibility & Door Kit	1
6	UH50	Utility Hook	2
7	DK4208	Door Kit w/ Open Back	2
8	TA1WAD	4-Hook Bar w/ Adapter	1
9	19	2-Drawer Unit w/ Lock	1
10	DC6	3-Drawer Unit	1
11	BRK14EPS	End Panel Mounting Bracket	1
12	WKC1FDTS	Steel Partition Mounting Kit	1



PLUMBING & HVAC STARTER PACKAGE

4318TL130 Transit 130"WB Low Roof
4318TL148 Transit 148"WB Low Roof

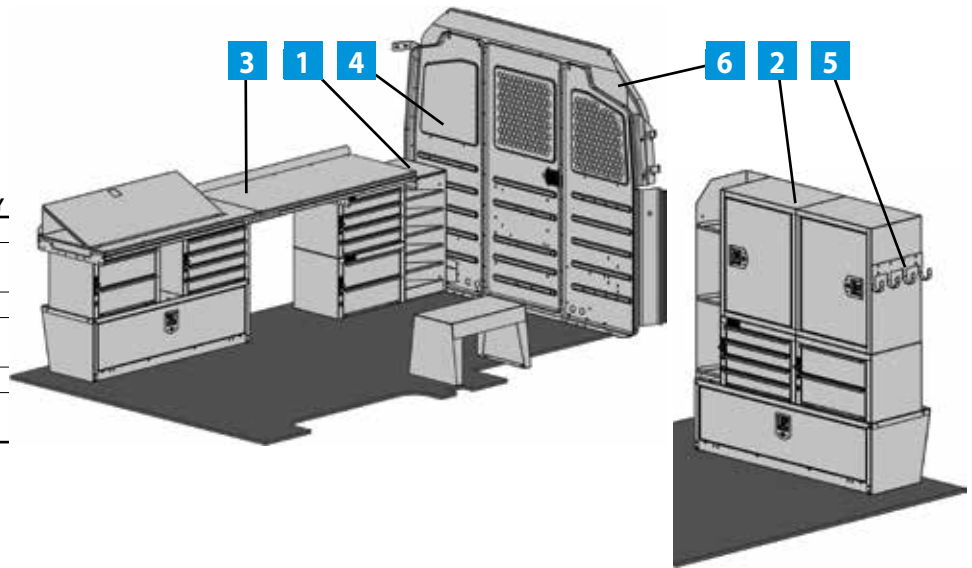
ITEM	MODEL	DESCRIPTION	QTY
1	AD44FP	Adjustable 3-Shelf Unit	3
2	RK130FTS or RK148FTS	Mounting Rail Kit	1
3	DV14C8	14" Shelf Dividers	1
4	919	3-Drawer Unit w/ Lock	1
5	S1M2HC2FSV	Steel Partition Panel Kit w/ Visibility	1
6	WTR230150	Welded Tank Rack	1
7	19	2-Drawer Unit w/ Lock	2
8	DC6	3-Drawer Unit	3
9	DC12	3-Drawer Unit	1
10	DK4208	Door Kit w/ Open Back	2
11	TA1WAD	4-Hook Bar w/ Adapter	1
12	RKAWTR	Welded Tank Rack Rail Adapter	1
13	WKC1FDTS	Steel Partition Mounting Kit	1



LOCKSMITH STARTER PACKAGE

5274TL Transit 130"/148"WB Low Roof

ITEM	MODEL	DESCRIPTION	QTY
1	17A	6-Shelf Catalog File	1
2	MD506	Shelf and Drawer Module	1
3	MD608	Workbench Module	1
4	S1M2HC2FSV	Steel Partition Panel Kit w/ Visibility & Door Kit	1
5	TA1	4-Hook Bar	1
6	WKC1FDTS	Steel Partition Mounting Kit	1



TRIPLE SHELF STARTER PACKAGE

5156TL130 Transit 130"WB Low Roof
5156TL148 Transit 148"WB Low Roof

ITEM	MODEL	DESCRIPTION	QTY
1	AD44FP	Adjustable 3-Shelf Unit	3
2	RK130FTS or RK148FTS	Mounting Rail Kit	1
3	S1M2HC2FSV	Steel Partition Panel Kit w/ Visibility & Door Kit	1
4	WKC1FDTS	Steel Partition Mounting Kit	1

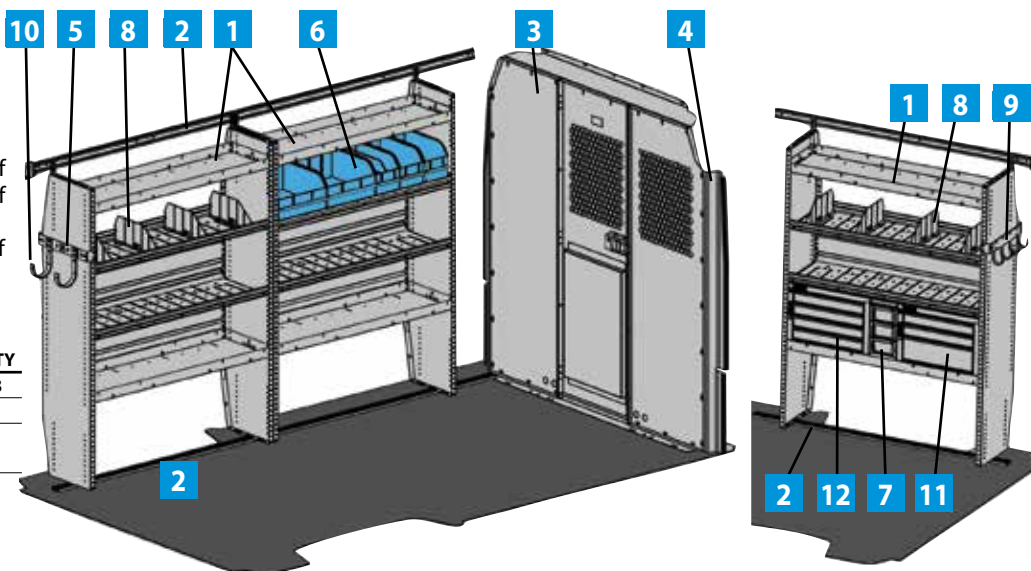


GENERAL SERVICE STARTER PACKAGE

4317TM130 Transit 130"WB Med Roof
4317TM148 Transit 148"WB Med Roof

4317TH148 Transit 148"WB High Roof
4317TH148X Transit 148"EXT WB High Roof

ITEM	MODEL	DESCRIPTION	QTY
1	HAD4459	Hybrid 4-Shelf Unit	3
2	RAIL KIT	*see list below	1
3	S1M2HC2PM	Steel Partition Panel Kit w/ Visibility & Door Kit	1
4	WKC1FDTM	Steel Partition Mounting Kit	1
or	WKC1FDTH	Steel Partition Mounting Kit	1
5	BRK14EPS	End Panel Mounting Bracket	1
6	BR36212	Bin Set for Adjustable Shelving	1
7	DC6	3-Drawer Unit	1
8	DV14C8	14" Shelf Dividers	1
9	TA1WAD	4-Hook Bar w/ Adapter	1
10	UH50	Utility Hook	2
11	919	3-Drawer Unit w/ Lock	1
12	9	4-Drawer Unit w/ Lock	1

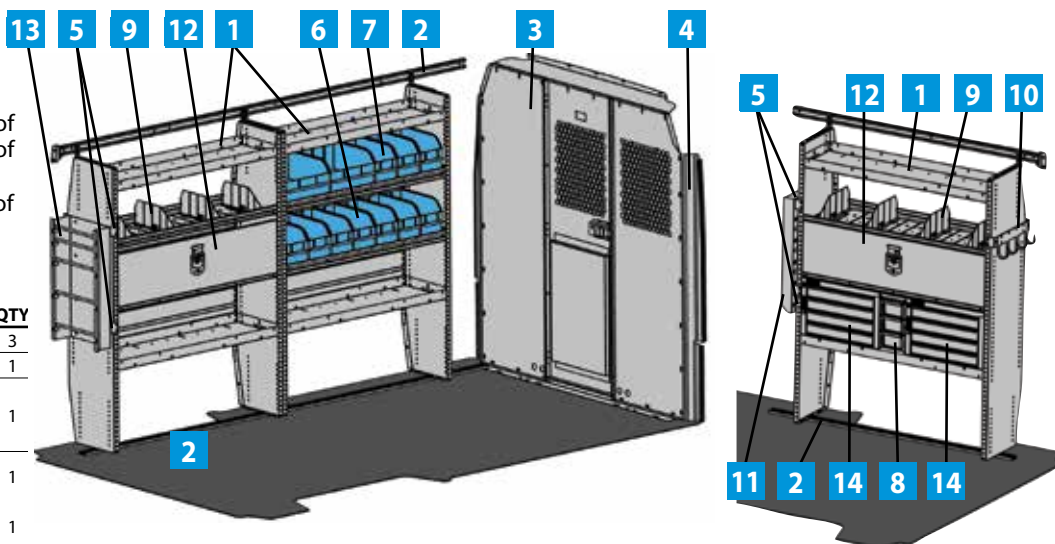


ELECTRICAL & GAS STARTER PACKAGE

4319TM130 Transit 130"WB Med Roof
4319TM148 Transit 148"WB Med Roof

4319TH148 Transit 148"WB High Roof
4319TH148X Transit 148"EXT WB High Roof

ITEM	MODEL	DESCRIPTION	QTY
1	HAD4459	Hybrid 4-Shelf Unit	3
2	RAIL KIT	*see list below	1
3	S1M2HC2PM	Steel Partition Panel Kit w/ Visibility & Door Kit	1
4	WKC1FDTM	Steel Partition Mounting Kit	1
or	WKC1FDTH	Steel Partition Mounting Kit	1
5	BRK14EPS	End Panel Mounting Bracket	4
6	BR76012	Bin Set for Adjustable Shelving	1
7	BR36212	Bin Set for Adjustable Shelving	1
8	DC6	3-Drawer Unit	1
9	DV14C8	14" Shelf Dividers	1
10	TA1WAD	4-Hook Bar w/ Adapter	1
11	CB5	5-Slot Literature Rack	1
12	DK4210	Door Kit w/ Open Back	2
13	WRH5	5-Bar Spool Holder	1
14	9	4-Drawer Unit w/ Lock	2



***RAIL KITS**

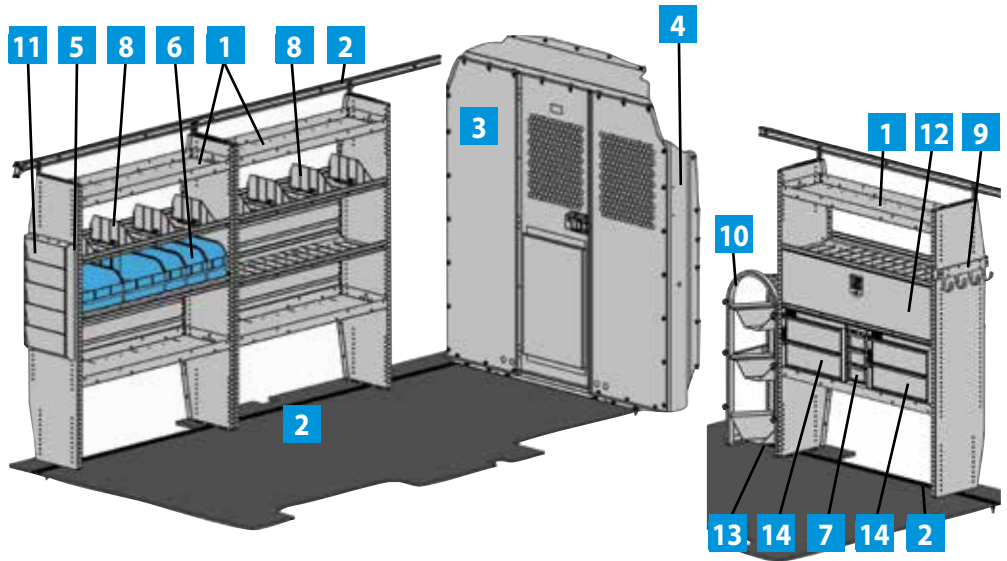
MODEL	DESCRIPTION
RK130FTM	Mounting Rail Kit
RK148FTM	Mounting Rail Kit
RK148FTH	Mounting Rail Kit

PLUMBING & HVAC STARTER PACKAGE

4318TM130 Transit 130"WB Med Roof
4318TM148 Transit 148"WB Med Roof

4318TH148 Transit 148"WB High Roof
4318TH148X Transit 148"EXT WB High Roof

ITEM	MODEL	DESCRIPTION	QTY
1	HAD4459	Hybrid 4-Shelf Unit	3
2	RAIL KIT	*see list on page 22	1
3	S1M2HC2PM	Steel Partition Panel Kit w/ Visibility & Door Kit	1
4	WKC1FDTM	Steel Partition Mounting Kit	1
or	WKC1FDTH	Steel Partition Mounting Kit	1
5	BRK14EPS	End Panel Mounting Bracket	2
6	BR36212	Bin Set for Adjustable Shelving	1
7	DC6	3-Drawer Unit	1
8	DV14C8	14" Shelf Dividers	1
9	TA1WAD	4-Hook Bar w/ Adapter	1
10	WTR230150	Welded Tank Rack	1
11	CB5	5-Slot Literature Rack	1
12	DK4210	Door Kit w/ Open Back	1
13	RKAWTR	Welded Tank Rack Rail Adapter	1
14	19	2-Drawer Unit w/ Lock	2

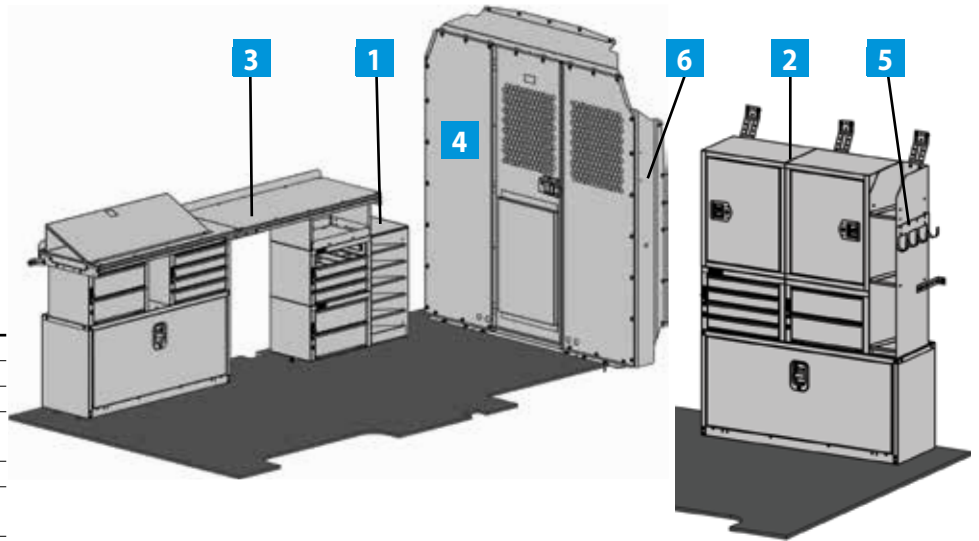


LOCKSMITH STARTER PACKAGE

5274TM Transit 130"/148" WB Med Roof

5274TH Transit 148"/148" EXT WB High Roof

ITEM	MODEL	DESCRIPTION	QTY
1	17A	6-Shelf Catalog File	1
2	MD506PM	Drawer Cabinet Module	1
3	MD608PM	Workbench Module	1
4	S1M2HC2PM	Steel Partition Panel Kit w/ Visibility & Door Kit	1
5	TA1	4-Hook Bar	1
6	WKC1FDTM	Steel Partition Mounting Kit	1
or	WKC1FDTH	Steel Partition Mounting Kit	1

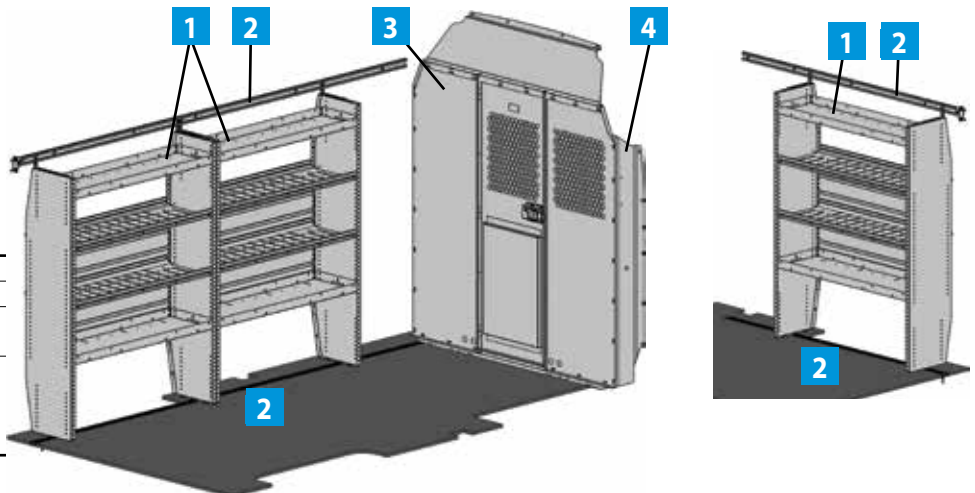


TRIPLE SHELF STARTER PACKAGE

5156TM130 Transit 130"WB Med Roof
5156TM148 Transit 148"WB Med Roof

5156TH148 Transit 148"WB High Roof
5156TH148X Transit 148"EXT WB High Roof

ITEM	MODEL	DESCRIPTION	QTY
1	HAD4459	Hybrid 4-Shelf Unit	3
2	Rail Kit	*see list on page 22	1
3	S1M2HC2PM	Steel Partition Panel Kit w/ Visibility & Door Kit	1
4	WKC1FDTM	Steel Partition Mounting Kit	1
or	WKC1FDTH	Steel Partition Mounting Kit	1



ADRIAN STEEL PARTITIONS KEEP CARGO WHERE IT BELONGS, IN THE CARGO AREA!

Stamped steel partitions are available for both Nissan NV Cargo Standard and High Roof vans. The perforated panels allow for side and rear visibility, while increasing cab area climate control. Max Comfort Wing Kits allow for 3 inches of additional front seat adjustability for more cab and leg room. Partition accessories can be attached for easy reach.



S1 Solid
S2 Perforated Top
Panels mount behind driver seat.

M1 Solid
M2 Perforated Top
Fixed center panels can be hinged as key-locking doors

C1 Solid
C2 Perforated Top
Panels mount behind passenger seat

Max Comfort Wing Kit
Partition setback allows for 3" of additional front seat adjustability for more cab and leg room. (Reduces cargo space by 3".)

S-M-C SERIES PARTITIONS

- Choose from solid or perforated panels.
- Partition mounts behind the B-pillar allowing for maximum cab comfort.
- Center M panels can be fixed or hinged with a key-locking door. All hinged door partitions come standard with two 6" hinges, bulb seal and a slam latch. These features reduce vibration noise.
- Partitions feature pre-drilled holes for adding accessories easily, and larger pass-through holes for routing wiring.
- Stamped steel panels reduce product weight without sacrificing strength.

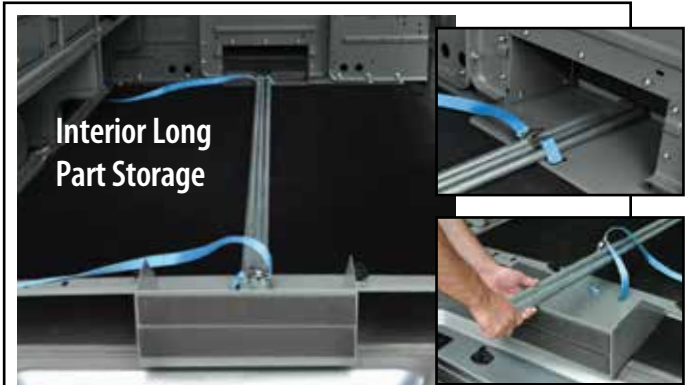
Note: Extended wing kits reduce the amount of cargo space. Please confirm the interior layout of the van package to confirm that the extended wing kit has adequate room needed for installation.

Shown: S1M2C2FSV Steel Partition Panel Kit w/ Visibility with WKC1LCVH Steel Partition Mounting Kit.



PARTITION PANEL KIT PART NUMBER	
FIXED CENTER PANEL	
SOLID PANELS	S1M1C1FSV
CENTER PANEL PERF. TOP ONLY	S1M2C1FSV
PERF. CENTER & CURB PANELS	S1M2C2FSV
ALL PANELS PERFORATED	S2M2C2FSV
HINGED CENTER PANEL "DOOR"	
SOLID PANELS	S1M1HC1FSV
CENTER PANEL PERF. TOP ONLY	S1M2HC1FSV
PERF. CENTER & CURB PANELS	S1M2HC2FSV
ALL THREE PANELS PERFORATED	S2M2HC2FSV
STEEL PARTITION MOUNTING KIT	
STANDARD ROOF	WKC1LCVS - MAX CARGO
	WKC1LCVS3 - MAX COMFORT
HIGH ROOF	WKC1LCVH - MAX CARGO
	WKC1LCVH3 - MAX COMFORT

Shown: S1M2C2FSV Steel Partition Panel Kit w/ Visibility with WKC1LCVS Steel Partition Mounting Kit



Carry 10 feet of conduit or pipe inside your NV Cargo with the Long Part Storage Kit!

The modified middle partition panel has an extended box which has a 13 3/4" wide by 5 3/4" high opening in the M panel. Tie down straps are provided at the front and the rear of the product to secure the load. The rear tray is positioned to contain the cargo and protect the rear doors. Fits late model Adrian Steel SMC partitions only. Not compatible with hinged door partition option.

MODEL	DESCRIPTION
M1FLP	Middle Partition Panel w/ Long Parts Storage
M2FLP	Middle Partition Panel w/ Visibility & Long Parts Storage
S1M1C1FLP	Steel Partition Panel Kit w/ Long Parts Storage
S1M2C1FLP	Steel Partition Panel Kit w/ Long Parts Storage & Visibility
S1M2C2FLP	Steel Partition Panel Kit w/ Long Parts Storage & Visibility

LOADING LADDERS JUST GOT DOWN RIGHT EASY.

Adrian's LOADSRITE Ladder Racks easily raise and lower to eliminate the need to climb, stretch or reach for your ladder on top or your NV Cargo. The unique design of the LOADSRITE presents the ladder in a diagonal position bringing it to a comfortable working height.

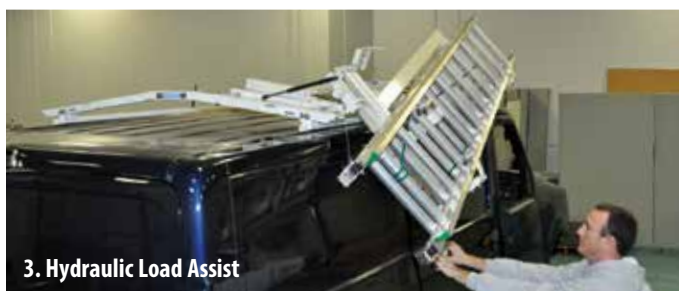
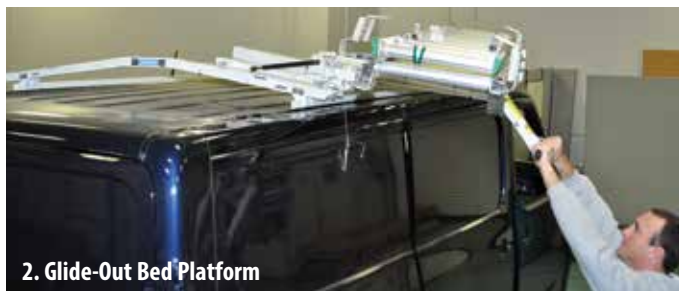
NISSAN NV CARGO LOADSRITE FEATURES & BENEFITS

- Designed to allow ladders to be loaded and unloaded one end at a time.
- Ladder clamps securely hold the ladder for transportation.
- Ladders can be padlocked for added security.
- Clamping of ladder is automatic.
- Aluminum bed frame, cast aluminum grab handle, stainless steel latch and fasteners.
- Rollers and dampers create a smooth transition to the stowed and down positions.

- The easy-reach release handle lowers toward the ground for better access (high roof.)
- Two handed operation is required to release the ladder for safer loading and unloading.
- Plastisol clamps and plastic pads protect fiberglass ladders.
- The LoadsRite for the Nissan NV Cargo can carry 16' - 36' extension ladders

- LCVLR-S61** Passenger Side Loadrite Ladder Rack
- LCVLR-S63** Dual-Sided Loadrite Ladder Rack
- LCVLR-H61** Single Loadrite (curbside) -high roof
- LCVLR-H63** Dual-Sided Loadrite Ladder Rack

NV CARGO STANDARD ROOF



NV CARGO HIGH ROOF



EZ LOAD LADDER RACK BY ADRIAN STEEL

Designed with the average height person in mind, the EZ Load Ladder Rack is the most functional, easy to use grip lock style ladder rack on the market.



Nissan NV Cargo



UP & LOCKED POSITION

EZ to Operate

Loading ladders just got easier! Taller cargo vans and longer ladders make it difficult to load ladders, until now. The EZ Load rack's patent pending design brings the rack down 6" towards you so you don't have to reach the roof of your van to load and unload ladders. Much closer than any comparable grip lock rack on the market today.

EZ to Adjust

Ladders come in all shapes and sizes. The EZ Load ladder rack has one common fastener versus comparable grip lock racks with different fasteners for different brackets. All you need to adjust your EZ Load Rack for your ladders is a 1/2" socket.



LOWERED POSITION

EZ to Maintain

Corrosion Free! The all aluminum design with stainless steel fasteners allow the EZ Load to look great for years to come!

EZ to Accessorize

The new T-Slot design makes adding accessories EZ! Add a stepladder kit, conduit carrier or utility rack kit with ease!



Crossbar with T-Slot and square-head bolts.



Plastisol coated brackets and plastic contact surfaces protect ladders from excessive wear.



NEW DESIGN OFFERS BETTER ERGONOMICS!

Cargo vans are getting taller each year and most grip lock style ladder racks do not take this factor into their design. The average height person in North America is 5'8" (according to the CDC) and the taller the cargo vans get, the harder it is to load a ladder on top of these vans. The patent pending design of the EZ Load Ladder Rack brings the ladder down 6" towards the operator. Making it easier to reach when you unload and more importantly, when the operator has to load the ladder, they no longer have to lift the ladder to the top of the cargo van reducing the risk of injury!

- **Ladder Protection** – Ladders stowed on the EZ Load Ladder Rack are protected with composite plastic that keep fiberglass ladders from rubbing on the metal of the ladder rack. This prolongs the life of your fiberglass ladders.
- **Safe Ladder Transportation** – No bungee cords needed. Four brackets secure the ladder tightly in place during transportation. Proper adjustment should take place when you first load your ladders on the EZ Load Rack.
- **Ladder Security** – Ladders can be secured against theft with an optional padlock.
- **The EZ Load Ladder Rack accommodates 10' – 36' extension ladders and 8' step ladders. Shorter ladders can be accommodated with the optional step ladder kit.**

EZ Load available for Standard Roof NV Cargo models only.

MODEL	DESCRIPTION
61-EZLCVC	Passenger Side EZ Load Ladder Rack
61-EZLCVS	Driver Side EZ Load Ladder Rack
63-EZLCV	Dual-Sided EZ Load Ladder Rack
LR64EZCLCV	EZ Load & Loadsrite Combo Ladder Rack
68-EZLCV	EZ Load Step Ladder Kit
64-EZLCV	Dual-Sided EZ Load Ladder Rack w/ Step Ladder Kit
65-EZ	Utility Add-On Kit
LR6200WSF	Driver Side Loadsrite Kit
LR6200WCF	Passenger Side Loadsrite Add-On Kit
70-1EZ	Conduit Kit w/ Round End Caps
70-2EZ	Conduit Kit w/ Round End Caps
80-1EZ	Conduit Kit w/ EZ Load Mount
80-2EZ	Conduit Kit w/ EZ Load Mount

*Order with BAGLR64EZ



Pull to release the handle, swing out and down to lower ladder.



Lift ladder off the rear bracket.

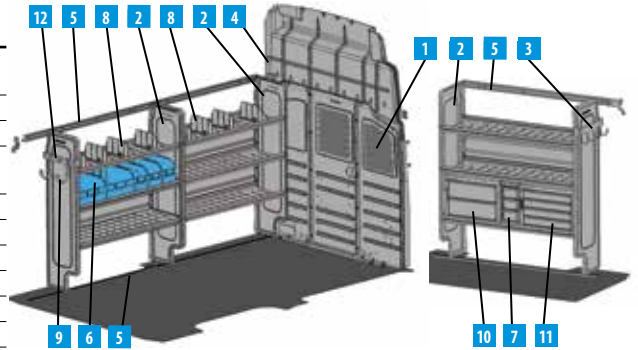


Lower ladder to the ground, resting the top of the ladder on the front bracket.

AVAILABLE FOR BOTH NV CARGO STANDARD AND HIGH ROOF MODELS.

**GENERAL SERVICE
STARTER PACKAGE
#4686NS**

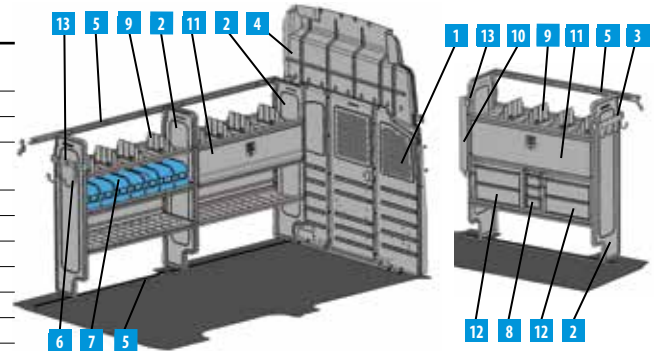
ITEM	MODEL	DESCRIPTION	QTY
1	S1M2C2FSV	Steel Partition Panel Kit w/ Visibility	1
2	AD44LCV	Adjustable 3-Shelf Unit	3
3	TA1WAD	4-Hook Bar w/ Adapter	1
4	WKC1LCVH or WKC1LCVS	Steel Partition Mounting Kit Steel Partition Mounting Kit	1 1
5	RKLCV	Mounting Rail Kit	1
6	BR36212	Bin Set for Adjustable Shelving	1
7	DC6	3-Drawer Unit	1
8	DV14C1	Shelf Divider	8
9	UH50	Utility Hook	2
10	19	2-Drawer Unit w/ Lock	1
11	9	4-Drawer Unit w/ Lock	1
12	BRK14EPS	End Panel Mounting Bracket	1



**SECURITY STARTER
PACKAGE#4688NS**

**HIGH ROOF
#4688NH**

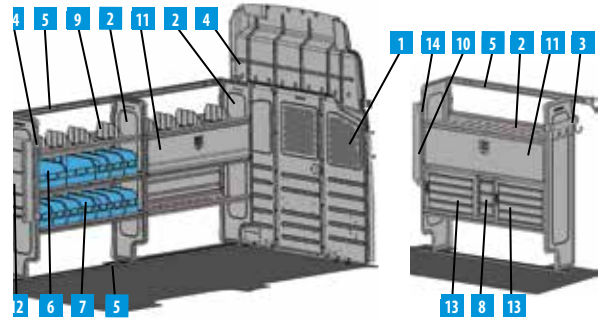
ITEM	MODEL	DESCRIPTION	QTY
1	S1M2C2FSV	Steel Partition Panel Kit w/ Visibility	1
2	AD44LCV	Adjustable 3-Shelf Unit	3
3	TA1WAD	4-Hook Bar w/ Adapter	1
4	WKC1LCVH or WKC1LCVS	Steel Partition Mounting Kit Steel Partition Mounting Kit	1 1
5	RKLCV	Mounting Rail Kit	1
6	UH50	Utility Hook	2
7	BR76012	Bin Set for Adjustable Shelving	1
8	DC6	3-Drawer Unit	1
9	DV14C1	Shelf Divider	12
10	CB5	5-Slot Literature Rack	1
11	DK4210	Door Kit w/ Open Back	2
12	19	2-Drawer Unit w/ Lock	2
13	BRK14EPS	End Panel Mounting Bracket	3



**ELECTRICAL
STARTER PACKAGE
#4687NS**

**HIGH ROOF
#4687NH**

ITEM	MODEL	DESCRIPTION	QTY
1	S1M2C2FSV	Steel Partition Panel Kit w/ Visibility	1
2	AD44LCV	Adjustable 3-Shelf Unit	3
3	TA1WAD	4-Hook Bar w/ Adapter	1
4	WKC1LCVH or WKC1LCVS	Steel Partition Mounting Kit Steel Partition Mounting Kit	1 1
5	RKLCV	Mounting Rail Kit	1
6	BR36212	Bin Set for Adjustable Shelving	1
7	BR76012	Bin Set for Adjustable Shelving	1
8	DC6	3-Drawer Unit	1
9	DV14C1	Shelf Divider	8
10	CB5	5-Slot Literature Rack	1
11	DK4210	Door Kit w/ Open Back	2
12	WRH5	5-Bar Spool Holder	1
13	9	4-Drawer Unit w/ Lock	2
14	BRK14EPS	End Panel Mounting Bracket	4

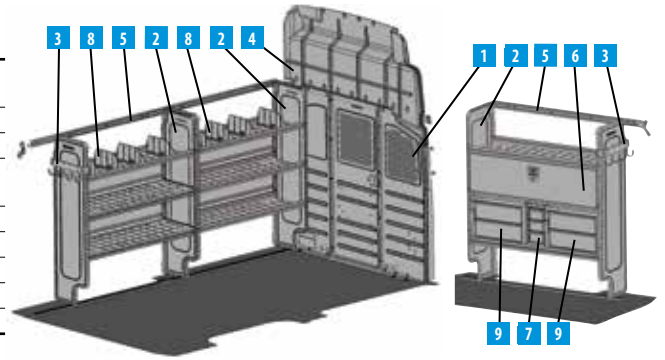


4687NS
PACKAGE



**SATELLITE
INSTALLATION
STARTER PACKAGE
#4689NS**

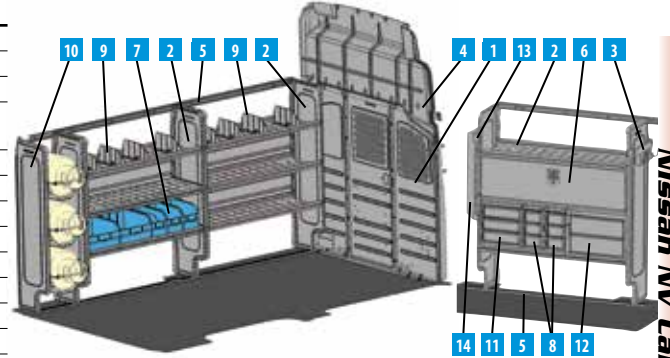
ITEM	MODEL	DESCRIPTION	QTY
1	S1M2C2FSV	Steel Partition Panel Kit w/ Visibility	1
2	AD44LCV	Adjustable 3-Shelf Unit	3
3	TA1WAD	4-Hook Bar w/ Adapter	2
4	WKC1LCVH or WKC1LCVS	Steel Partition Mounting Kit Steel Partition Mounting Kit	1 1
5	RKLCV	Mounting Rail Kit	1
6	DK4210	Door Kit w/ Open Back	1
7	DC6	3-Drawer Unit	1
8	DV14C1	Shelf Divider	8
9	19	2-Drawer Unit w/ Lock	2



**QUAD SHELF &
STEEL PARTITION
PACKAGE #4690NS**

**HIGH ROOF
#4690NH**

ITEM	MODEL	DESCRIPTION	QTY
1	S1M2C2FSV	Steel Partition Panel Kit w/ Visibility	1
2	AD44LCV	Adjustable 3-Shelf Unit	3
3	TA1WAD	4-Hook Bar w/ Adapter	1
4	WKC1LCVH or WKC1LCVS	Steel Partition Mounting Kit Steel Partition Mounting Kit	1 1
5	RKLCV	Mounting Rail Kit	1
6	DK4210	Door Kit w/ Open Back	1
7	BR36212	Bin Set for Adjustable Shelving	1
8	DC6	3-Drawer Unit	2
9	DV14C1	Shelf Divider	8
10	TH51FP	3-Shelf Tank Rack	1
11	DC12	3-Drawer Unit	1
12	19	2-Drawer Unit w/ Lock	1
13	BRK14EPS	End Panel Mounting Bracket	2
14	CB5	5-Slot Literature Rack	1



**LOCKSMITH
STARTER PACKAGE
#2255NS**

ITEM	MODEL	DESCRIPTION	QTY
1	S1M2HC2FSV	Steel Partition Panel Kit w/ Visibility & Door Kit	1
2	WKC1LCVS	Steel Partition Mounting Kit	1
3	RKLCV	Mounting Rail Kit	1
4	RKALCV	Mounting Rail Kit Adapter	1
5	MD506	Shelf and Drawer Module	1
6	MD608	Workbench Module (18"x26"x84")	1
7	17A	6-Shelf Catalog File	1
8	TA1	4-Hook Bar (not shown)	1

**LOCKSMITH
STARTER PACKAGE
HIGH ROOF
#2255NH**

ITEM	MODEL	DESCRIPTION	QTY
1	S1M2HC2FSV	Steel Partition Panel Kit w/ Visibility & Door Kit	1
2	WKC1LCVH	Steel Partition Mounting Kit	1
3	RKLCV	Mounting Rail Kit	1
4	RKALCV	Mounting Rail Kit Adapter	1
5	MD506	Shelf and Drawer Module	1
6	MD608NH	Workbench Module	1
7	17A	6-Shelf Catalog File	1
8	TA1	4-Hook Bar (not shown)	1



LOCKSMITH PACKAGE
STANDARD ROOF

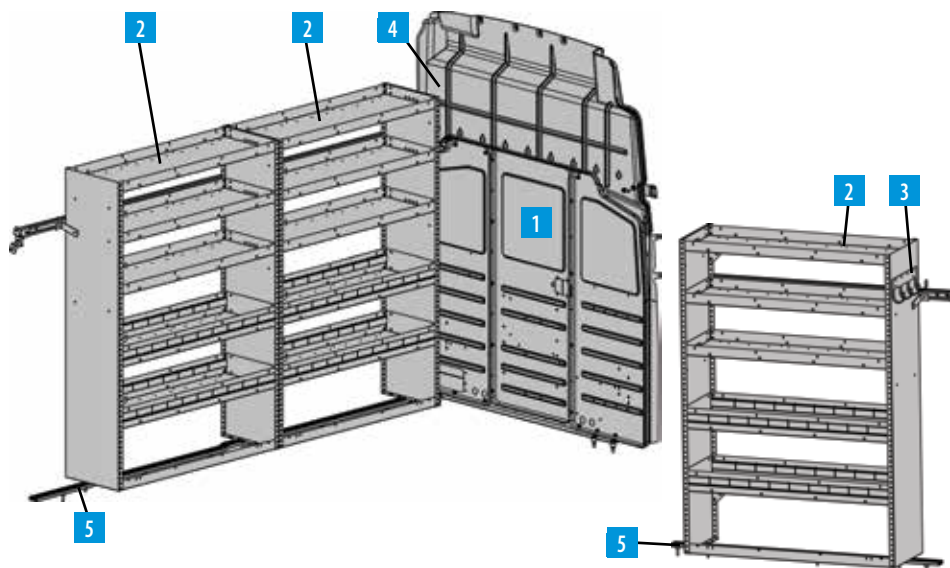


LOCKSMITH PACKAGE
HIGH ROOF



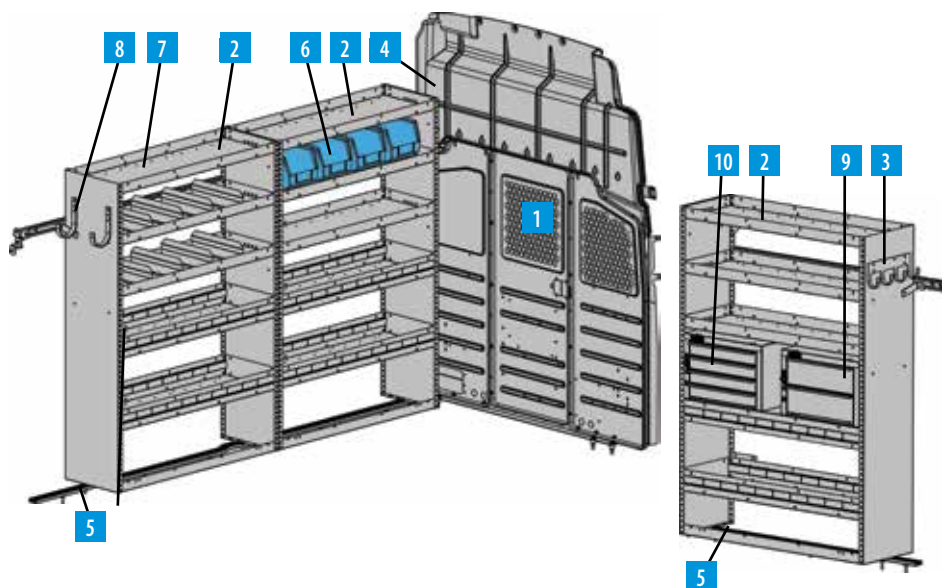
5074NH CARGO MANAGEMENT STARTER PACKAGE NV Cargo High Roof

ITEM	MODEL	DESCRIPTION	QTY
1	S1M2C2FSV	Steel Partition Panel Kit w/ Visibility	1
2	HD42NVH	5-Shelf Unit	3
3	TA1	4-Hook Bar	1
4	WKC1LCVH	Steel Partition Mounting Kit	1
5	RKLCV	Mounting Rail Kit	1



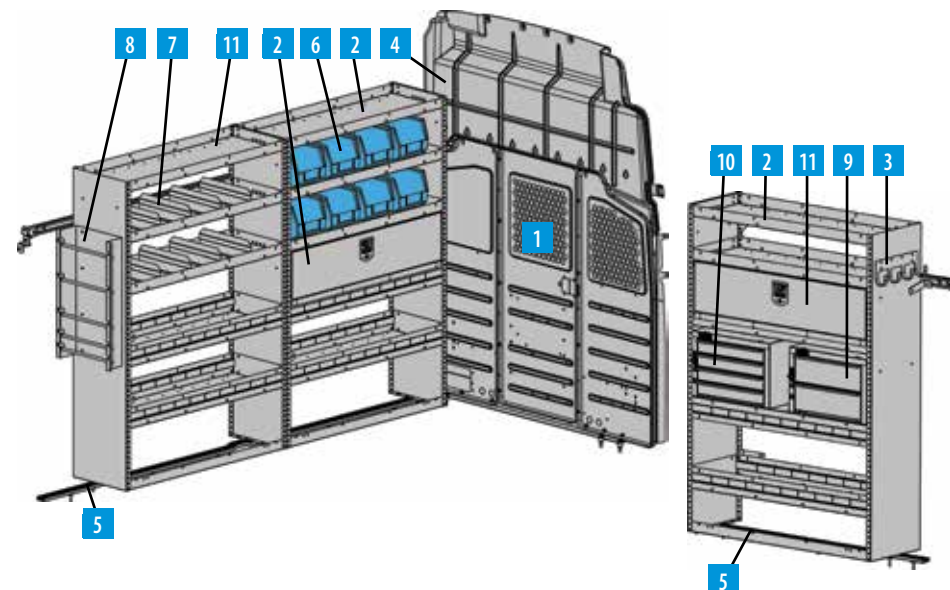
5075NH GENERAL SERVICE PACKAGE NV Cargo High Roof

ITEM	MODEL	DESCRIPTION	QTY
1	S1M2C2FSV	Steel Partition Panel Kit w/ Visibility	1
2	HD42NVH	5-Shelf Unit	3
3	TA1	4-Hook Bar	1
4	WKC1LCVH	Steel Partition Mounting Kit	1
5	RKLCV	Mounting Rail Kit	1
6	28	Parts Bin	4
7	DV14	Shelf Divider	8
8	UH50	Utility Hook	2
9	19	2-Drawer Unit w/ Lock	1
10	9	4-Drawer Unit w/ Lock	1



5076NH ELECTRICAL STARTER PACKAGE NV Cargo High Roof

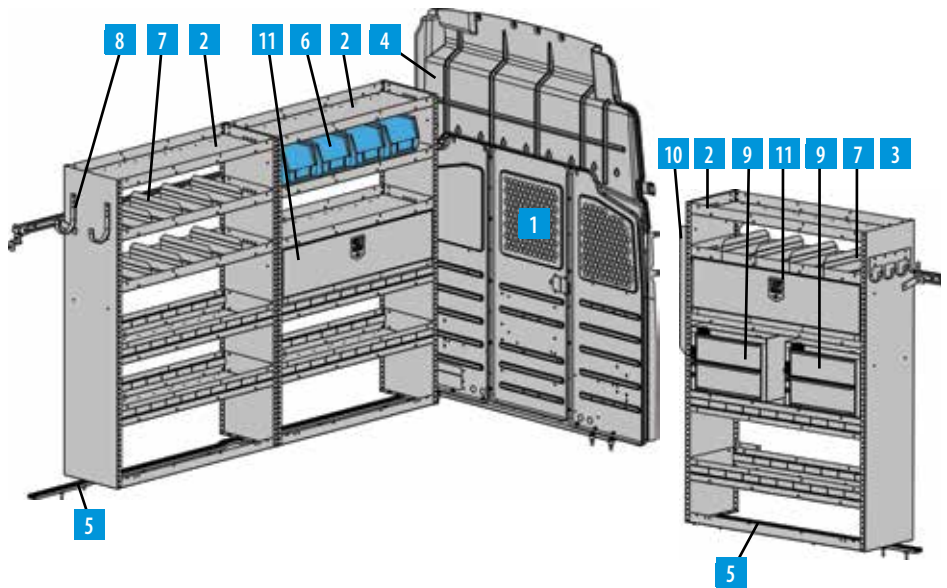
ITEM	MODEL	DESCRIPTION	QTY
1	S1M2C2FSV	Steel Partition Panel Kit w/ Visibility	1
2	HD42NVH	5-Shelf Unit	3
3	TA1	4-Hook Bar	1
4	WKC1LCVH	Steel Partition Mounting Kit	1
5	RKLCV	Mounting Rail Kit	1
6	28	Parts Bin	8
7	DV14	Shelf Divider	8
8	WRH5	5-Bar Spool Holder	1
9	19	2-Drawer Unit w/ Lock	1
10	9	4-Drawer Unit w/ Lock	1
11	DK542	Door Kit w/ Back Panel	2



Nissan NV Cargo

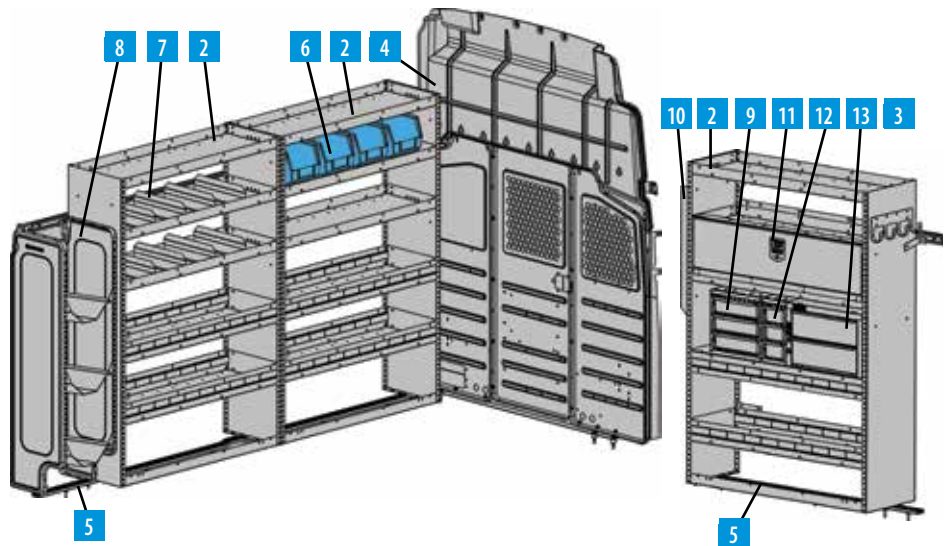
5077NH SECURITY STARTER PACKAGE NV Cargo High Roof

ITEM	MODEL	DESCRIPTION	QTY
1	S1M2C2FSV	Steel Partition Panel Kit w/ Visibility	1
2	HD42NVH	5-Shelf Unit	3
3	TA1	4-Hook Bar	1
4	WKC1LCVH	Steel Partition Mounting Kit	1
5	RKLCV	Mounting Rail Kit	1
6	28	Parts Bin	4
7	DV14	Shelf Divider	12
8	UH50	Utility Hook	2
9	19	2-Drawer Unit w/ Lock	2
10	CB5	5-Slot Literature Rack	1
11	DK542	Door Kit w/ Back Panel	2



5079NH HVAC STARTER PACKAGE NV Cargo High Roof

ITEM	MODEL	DESCRIPTION	QTY
1	S1M2C2FSV	Steel Partition Panel Kit w/ Visibility	1
2	HD42NVH	5-Shelf Unit	3
3	TA1	4-Hook Bar	1
4	WKC1LCVH	Steel Partition Mounting Kit	1
5	RKLCV	Mounting Rail Kit	1
6	28	Parts Bin	4
7	DV14	Shelf Divider	8
8	TH51FP	3-Shelf Tank Rack	1
9	DC12	3-Drawer Unit	1
10	CB5	5-Slot Literature Rack	1
11	DK542	Door Kit w/ Back Panel	1
12	DC6	3-Drawer Unit	1
13	19	2-Drawer Unit w/ Lock	1



ADRIAN STEEL PARTITIONS KEEP CARGO WHERE IT BELONGS, IN THE CARGO AREA!



S-M-C SERIES PARTITIONS

Choose from solid or perforated top panels. Center M panels can be fixed or hinged with a key-locking door. Partitions are sold as panel kits and wing kits. Please see application chart to confirm the appropriate panel kit and wing kit for your vehicle. Optional extended wing kits offer 3" of additional space in the cab area to allow for more seat adjustability.

Note: Extended wing kits reduce the amount of cargo space. Please confirm the interior layout of the van package to confirm that the extended wing kit has adequate room needed for installation.

CCD10 Center Console

- Designed to mount between the front seats.
- Rugged steel construction with a hinged worktop and key locking paddle handle.
- Convenient lid mounted clip holds papers in place on the writing surface.



TDC10 Tech Desk Console

- Designed to mount between the front seats.
- 2 USB Ports.
- Non-Slip lid tray to keep items from falling of during transit.
- Internal Organization.
- Lockable Lid.
- Interior LED lights.



ADJUSTABLE SHELVES

The **HAD shelving units** for the ProMaster feature two ADseries adjustable shelves in the center of the shelf unit. These two shelves feature a 2" lip and, with only a screwdriver, can be adjusted up or down on one inch increments.

MODEL	OVERALL SIZE
HAD3259	32" x 59" x 14"
HAD4459	44" x 59" x 14"
HAD5059	50" x 59" x 14"

HD Shelving

The top and bottom shelf feature a 2" lip, the center two shelves feature a 4" lip. Each shelf can be adjusted up or down on one inch increments. Fits full size RAM ProMaster.

MODEL	OVERALL SIZE	DESCRIPTION
HD3259	32"W x 59"H x 14"D	Fits ProMaster
HD4459	44"W x 59"H x 14"D	Fits ProMaster
HD5059	50"W x 59"H x 14"D	Fits ProMaster



HAD5059 shown with optional TA1 4-Hook Bar



HD4459





PMLR-H61

Rotate Handle

Primary Drop

Secondary Drop & Unload Ladder

LOAD AND UNLOAD LADDERS THE RIGHT WAY!

- Rollers and dampers create a smooth transition to the stowed and down positions.
- Designed to allow ladders to be loaded and unloaded the right way, from the back of the vehicle.
- Two handed operation is required to release the ladder for safer loading and unloading.
- Ladder clamps securely hold the ladder for transportation. Clamping of ladder is automatic.
- Plastisol clamps and plastic pads protect fiberglass ladders from resting on metal, protecting the ladder.
- The LoadRite Ladder Rack can carry 16' - 36' extension ladders.
- The all aluminum design maximizes payload.
- Order **PMLRSLKHR** Step Ladder Kit to carry shorter ladders.

LOADRITE FOR PROMASTER RAIL KITS

MODEL	DESCRIPTION
PMLRRKSWB	Mounting Roof Rail Kit
PMLRRKMWB	Mounting Roof Rail Kit
PMLRRKLBW	Mounting Roof Rail Kit
PMLRRKXLBW	Mounting Roof Rail Kit

NOTE: Must order the appropriate Rail Kit to complete the ladder rack.

LOADRITE FOR PROMASTER STANDARD ROOF

MODEL	DESCRIPTION
PMLRSL61CS	Passenger Side Loadrite Ladder Rack
PMLRSL61SS	Driver Side Loadrite Ladder Rack
PMLR-SWS63	Double drop-down, 118"WB

PMLRLL61CS	Passenger Loadrite Ladder Rack
PMLRLL61SS	Driver Side Loadrite Ladder Rack
PMLR-LWS63	Double drop-down, 136"WB

LOADRITE FOR PROMASTER HIGH ROOF

MODEL	DESCRIPTION
PMLR-H61CS	Passenger Side Loadrite Ladder Rack
PMLR-H61SS	Driver Side Loadrite Ladder Rack
PMLR-H63	Double Loadrite Ladder Rack

RAM ProMaster

UTILITY RACK - PROMASTER STANDARD ROOF

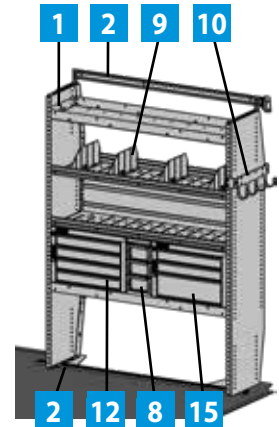
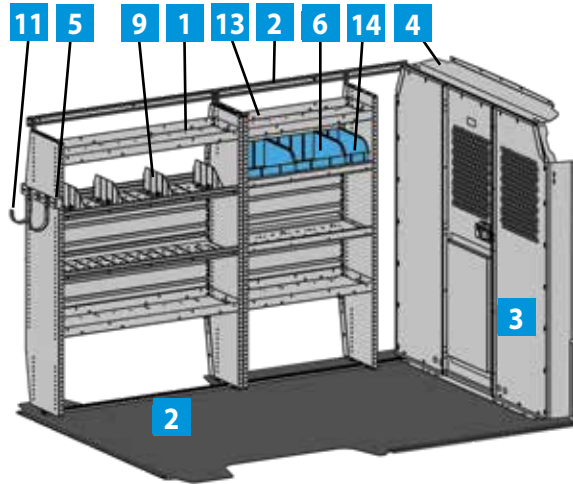


MODEL	DESCRIPTION	COLOR
3BARRPM-B	3 Bar Utility Rack w/rear roller bar	Black
3BARRPM-W	3-Bar Utility Rack w/ Rear Roller	White
2BARRPM-B	2-Bar Utility Rack w/ rear Roller	Black
2BARRPM-W	2-Bar Utility Rack w/ rear Roller	White
1BARRPM-B	Center Cross Bow Kit	Black
1BARRPM-W	Center Cross Bow Kit	White
80-1	Conduit Kit	
80-2	Conduit Kit	

- This all aluminum rack is designed to reduce corrosion by eliminating much of the welding.
- The uprights are fully plastisoleed to protect against wear and reduce ladder fatigue.
- Uprights feature many attachment points for securing cargo straps.
- Weather resistant cross bar is not cut to fit or perforated in any way improving longevity of the rack.
- The Rear Roller Bar eases loading and unloading of the rack.
- The Rear Roller comes standard with the 2 and 3 Bar racks.
- Available in our durable black or white powder coat paint.
- Optional center bars support shorter lengths and provide additional support.

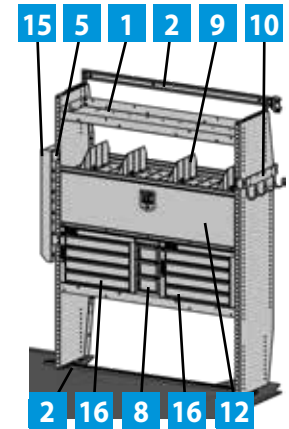
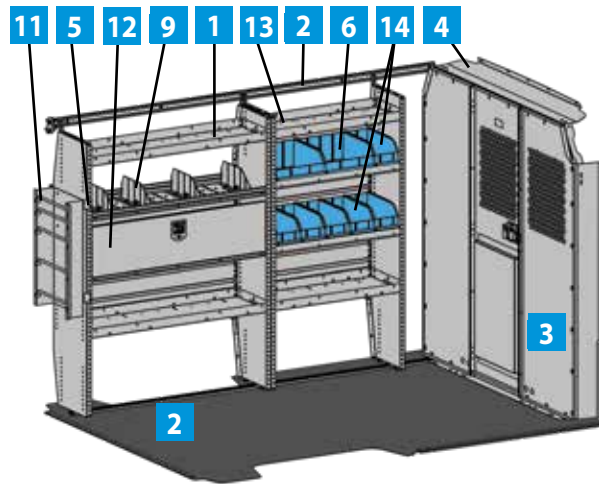
**5462
GENERAL SERVICE STARTER
PACKAGE
RAM PROMASTER 118" WB**

ITEM	MODEL	DESCRIPTION	QTY
1	HAD4459	Hybrid 4-Shelf Unit	2
2	RKPMSWB	Mounting Rail Kit	1
3	S1M2HC2PM	Steel Partition Panel Kit w/ Visibility & Door Kit	1
4	WKC1PM	Steel Partition Mounting Kit	1
5	BRK14EPS	End Panel Mounting Bracket	1
6	SBIN120614	Snap In Bin	2
7	SRAILAD32	32" Bin Rail	1
8	DC6	3-Drawer Unit	1
9	DV14C8	14" Shelf Dividers	1
10	TA1WAD	4-Hook Bar w/ Adapter	1
11	UH50	Utility Hook	2
12	9	4-Drawer Unit w/ Lock	1
13	HAD3259	Hybrid 4-Shelf Unit	1
14	SBIN060614	Snap In Bin	1
15	919	3-Drawer Unit w/ Lock	1



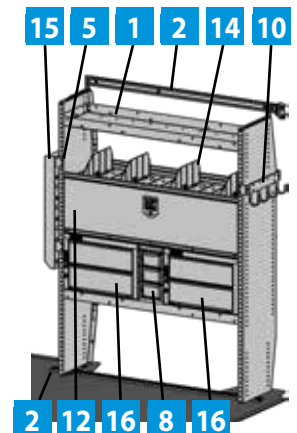
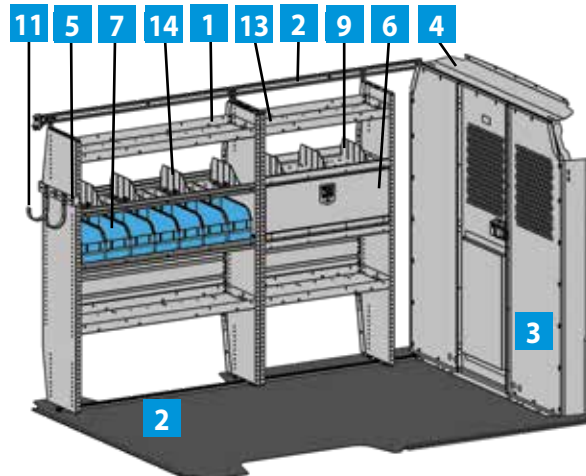
**5463
ELECTRICAL STARTER PACKAGE
RAM PROMASTER 118" WB**

ITEM	MODEL	DESCRIPTION	QTY
1	HAD4459	Hybrid 4-Shelf Unit	2
2	RKPMSWB	Mounting Rail Kit	1
3	S1M2HC2PM	Steel Partition Panel Kit w/ Visibility & Door Kit	1
4	WKC1PM	Steel Partition Mounting Kit	1
5	BRK14EPS	End Panel Mounting Bracket	4
6	SBIN120614	Snap In Bin	2
7	SRAILAD32	32" Bin Rail	2
8	DC6	3-Drawer Unit	1
9	DV14C8	14" Shelf Dividers	1
10	TA1WAD	4-Hook Bar w/ Adapter	1
11	WRH5	5-Bar Spool Holder	1
12	DK4210	Door Kit w/ Open Back	2
13	HAD3259	Hybrid 4-Shelf Unit	1
14	SBIN060614	Snap In Bin	6
15	CB5	5-Slot Literature Rack	1
16	9	4-Drawer Unit w/ Lock	2



**5464
SECURITY STARTER PACKAGE
RAM PROMASTER 118" WB**

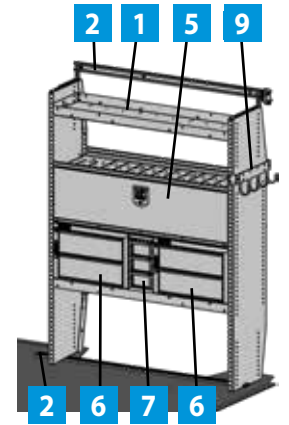
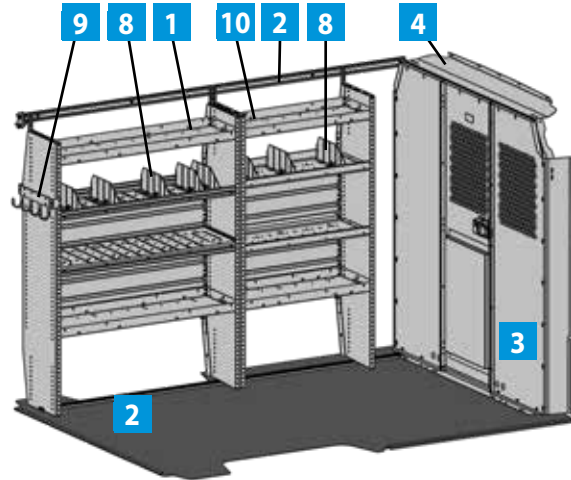
ITEM	MODEL	DESCRIPTION	QTY
1	HAD4459	Hybrid 4-Shelf Unit	2
2	RKPMSWB	Mounting Rail Kit	1
3	S1M2HC2PM	Steel Partition Panel Kit w/ Visibility & Door Kit	1
4	WKC1PM	Steel Partition Mounting Kit	1
5	BRK14EPS	End Panel Mounting Bracket	3
6	DK3010	Door Kit	1
7	BR76012	Bin Set for Adjustable Shelving	1
8	DC6	3-Drawer Unit	1
9	DV14C1	Shelf Divider	4
10	TA1WAD	4-Hook Bar w/ Adapter	1
11	UH50	Utility Hook	2
12	DK4210	Door Kit w/ Open Back	1
13	HAD3259	Hybrid 4-Shelf Unit	1
14	DV14C8	14" Shelf Dividers	1
15	CB5	5-Slot Literature Rack	1
16	19	2-Drawer Unit w/ Lock	2



RAM ProMaster

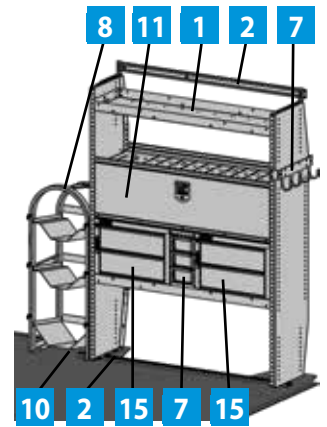
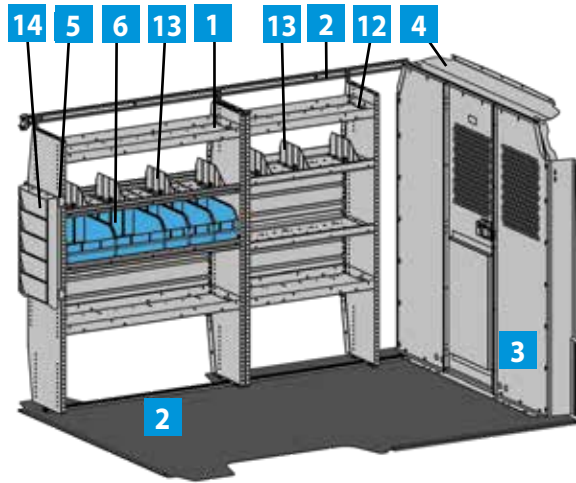
**5465
SATELLITE INSTALLATION STARTER
PACKAGE
RAM PROMASTER 118" WB**

ITEM	MODEL	DESCRIPTION	QTY
1	HAD4459	Hybrid 4-Shelf Unit	2
2	RKPMSWB	Mounting Rail Kit	1
3	S1M2HC2PM	Steel Partition Panel Kit w/ Visibility & Door Kit	1
4	WKC1PM	Steel Partition Mounting Kit	1
5	DK4210	Door Kit w/ Open Back	1
6	19	2-Drawer Unit w/ Lock	2
7	DC6	3-Drawer Unit	1
8	DV14C8	14" Shelf Dividers	1
9	TA1WAD	4-Hook Bar w/ Adapter	2
10	HAD3259	Hybrid 4-Shelf Unit	1



**5466
HVAC STARTER PACKAGE
RAM PROMASTER 118" WB**

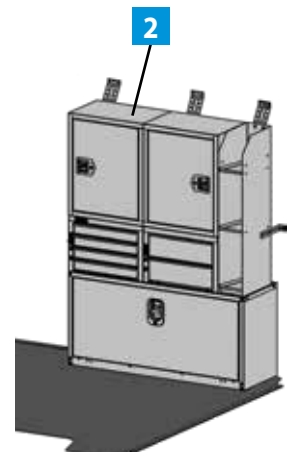
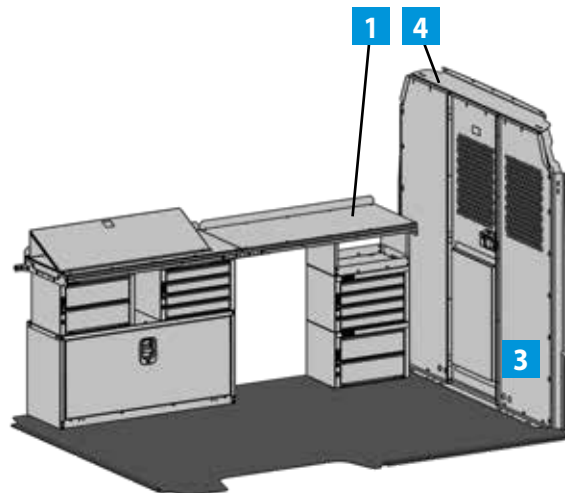
ITEM	MODEL	DESCRIPTION	QTY
1	HAD4459	Hybrid 4-Shelf Unit	2
2	RKPMSWB	Mounting Rail Kit	1
3	S1M2HC2PM	Steel Partition Panel Kit w/ Visibility & Door Kit	1
4	WKC1PM	Steel Partition Mounting Kit	1
5	BRK14EPS	End Panel Mounting Bracket	2
6	BR36212	Bin Set for Adjustable Shelving	1
7	DC6	3-Drawer Unit	1
8	WTR230150	Welded Tank Rack	1
9	TA1WAD	4-Hook Bar w/ Adapter	1
10	RKAWTR	Welded Tank Rack Rail Adapter	1
11	DK4210	Door Kit w/ Open Back	1
12	HAD3259	Hybrid 4-Shelf Unit	1
13	DV14C8	14" Shelf Dividers	1
14	CB5	5-Slot Literature Rack	1
15	19	Two Drawer Medium	2



RAM ProMaster

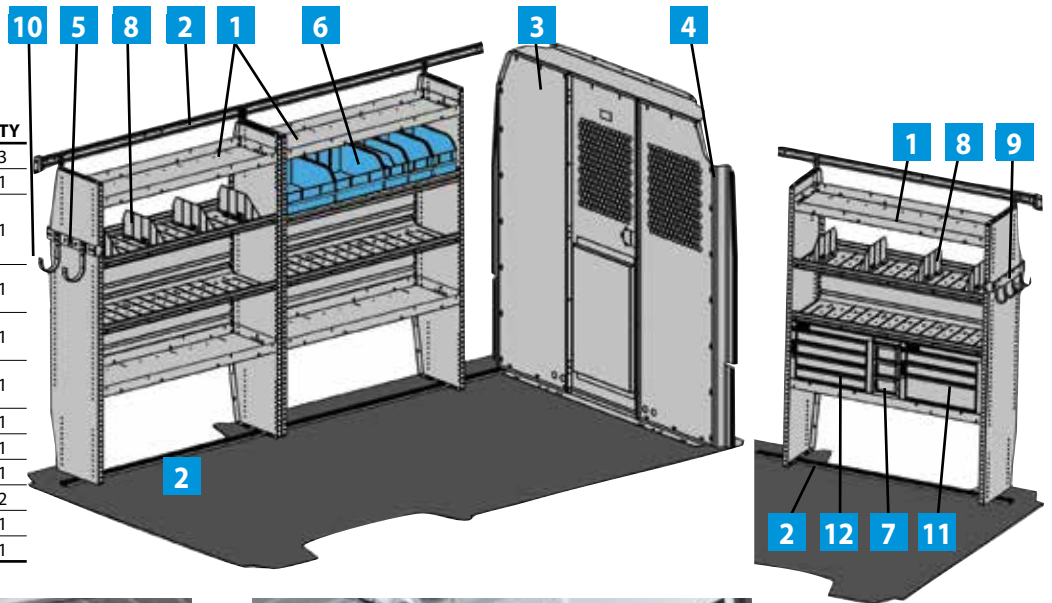
**5467
LOCKSMITH STARTER PACKAGE
RAM PROMASTER 118" WB**

ITEM	MODEL	DESCRIPTION	QTY
1	MD608PM	Workbench Module	1
2	MD506PM	Drawer Module	1
3	S1M2HC2PM	Steel Partition Panel Kit w/ Visibility & Door Kit	1
4	WKC1PM	Steel Partition Mounting Kit	1



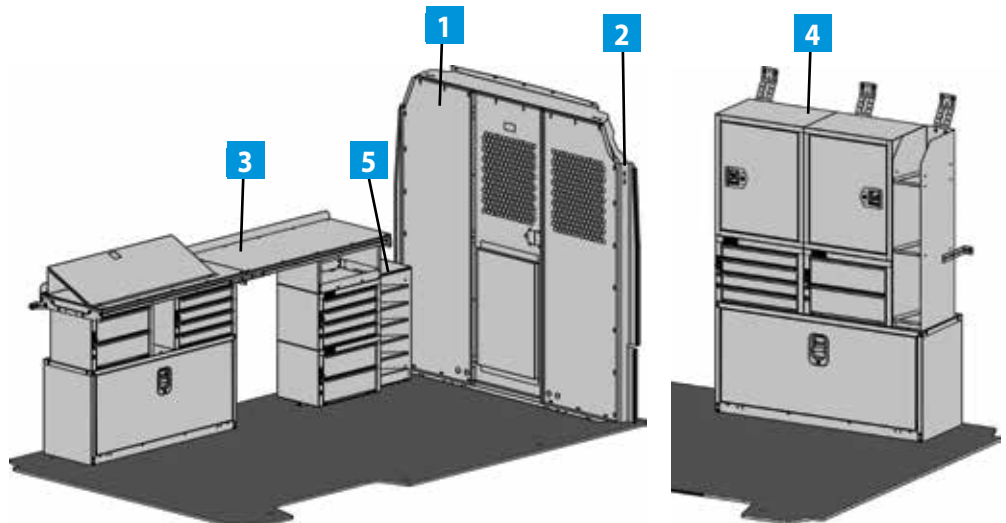
**5180
GENERAL SERVICE
STARTER PACKAGE
RAM PROMASTER 136" WB**

ITEM	MODEL	DESCRIPTION	QTY
1	HAD4459	Hybrid 4-Shelf Unit	3
2	RKPMWVB	Mounting Rail Kit	1
3	S1M2HC2PM	Steel Partition Panel Kit w/Visibility & Door Kit	1
4	WKC1PM	Steel Partition Mounting Kit	1
5	BRK14EPS	End Panel Mounting Bracket	1
6	BR36212	Bin Set for Adjustable Shelving	1
7	DC6	3-Drawer Unit	1
8	DV14C8	14" Shelf Dividers	1
9	TA1WAD	4-Hook Bar w/ Adapter	1
10	UH50	Utility Hook	2
11	919	3-Drawer Unit w/ Lock	1
12	9	4-Drawer Unit w/ Lock	1



**5274
LOCKSMITH STARTER
PACKAGE
RAM PROMASTER 136" WB AND
RAM PROMASTER 159" WB**

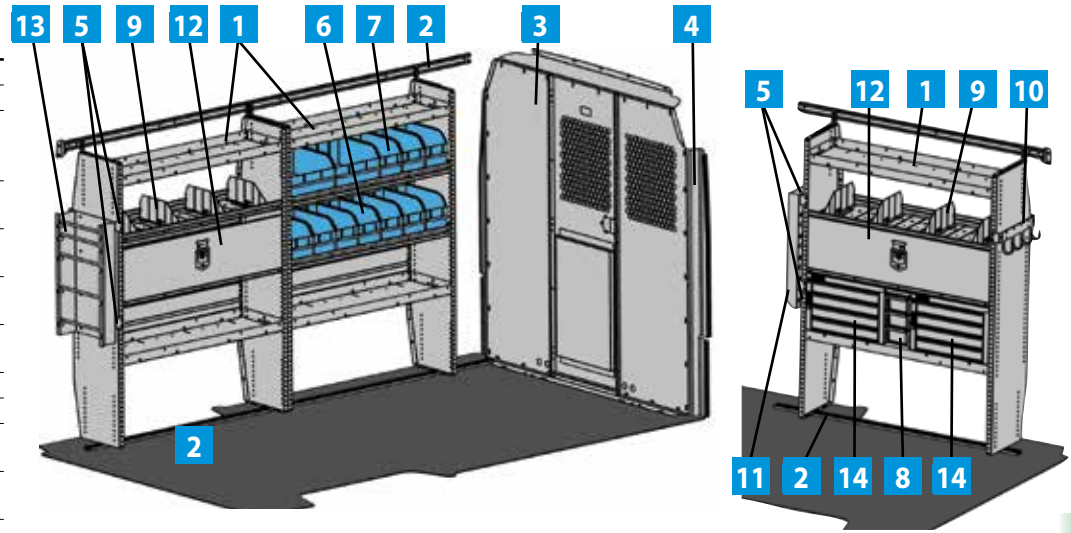
ITEM	MODEL	DESCRIPTION	QTY
1	S1M2HC2PM	Steel Partition Panel Kit w/Visibility & Door Kit	1
2	WKC1PM	Steel Partition Mounting Kit	1
3	MD608PM	84" Workbench Module	1
4	MD506PM	Drawer Module	1
5	17A	Six Shelf Catalog File	1



RAM ProMaster

**5181
ELECTRICAL STARTER PACKAGE
RAM PROMASTER 136" WB**

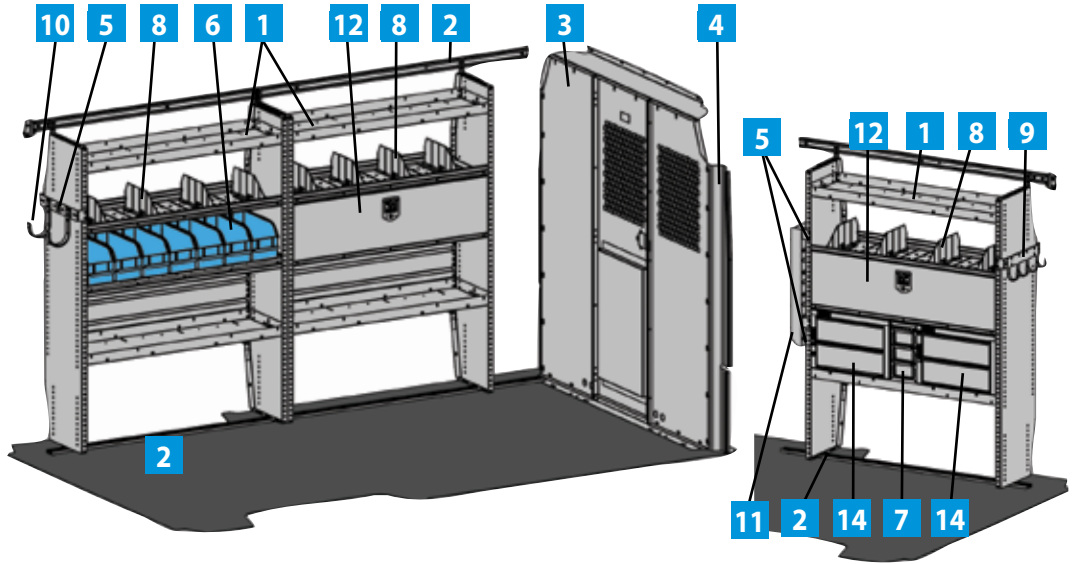
ITEM	MODEL	DESCRIPTION	QTY
1	HAD4459	Hybrid 4-Shelf Unit	3
2	RKPMMWB	Mounting Rail Kit	1
3	S1M2HC2PM	Steel Partition Panel Kit w/ Visibility & Door Kit	1
4	WKC1PM	Steel Partition Mounting Kit	1
5	BRK14EPS	End Panel Mounting Bracket	4
6	BR76012	Bin Set for Adjustable Shelving	1
7	BR36212	Bin Set for Adjustable Shelving	1
8	DC6	3-Drawer Unit	1
9	DV14C8	14" Shelf Dividers	1
10	TA1WAD	4-Hook Bar w/ Adapter	1
11	CB5	5-Slot Literature Rack	1
12	DK4210	Door Kit w/ Open Back	2
13	WRH5	5-Bar Spool Holder	1
14	9	4-Drawer Unit w/ Lock	2



RAM ProMaster

**5182
SECURITY STARTER PACKAGE
RAM PROMASTER 136" WB**

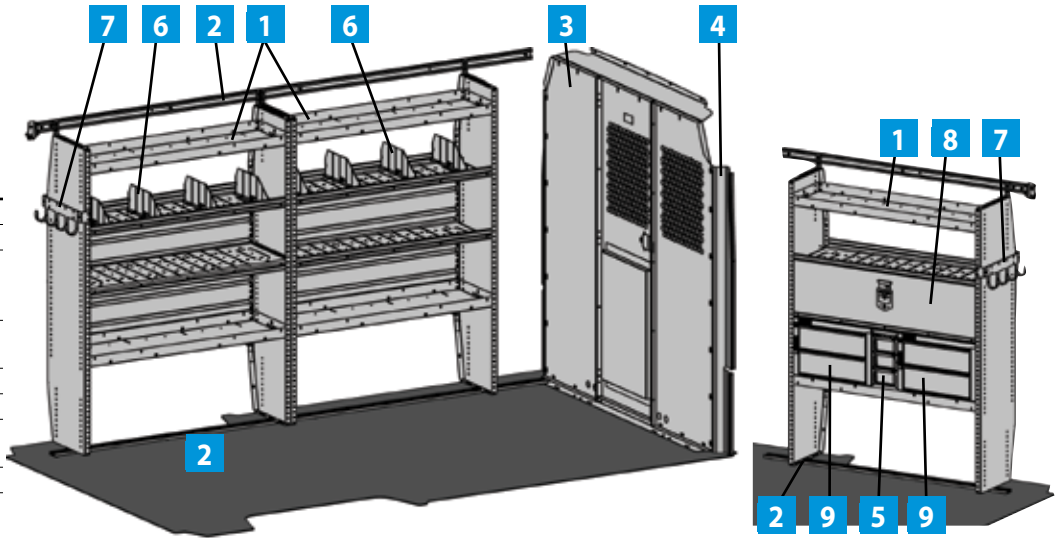
ITEM	MODEL	DESCRIPTION	QTY
1	HAD4459	Hybrid 4-Shelf Unit	3
2	RKPMMWB	Mounting Rail Kit	1
3	S1M2H-C2PM	Steel Partition Panel Kit w/ Visibility & Door Kit	1
4	WKC1PM	Steel Partition Mounting Kit	1
5	BRK14EPS	End Panel Mounting Bracket	3
6	BR76012	Bin Set for Adjustable Shelving	1
7	DC6	3-Drawer Unit	1
8	DV14C8	14" Shelf Dividers	1
9	TA1WAD	4-Hook Bar w/ Adapter	1
10	UH50	Utility Hook	2
11	CB5	5-Slot Literature Rack	1
12	DK4210	Door Kit w/ Open Back	2
13	DV14C1	Shelf Divider	4
14	19	2-Drawer Unit w/ Lock	2



RAM ProMaster

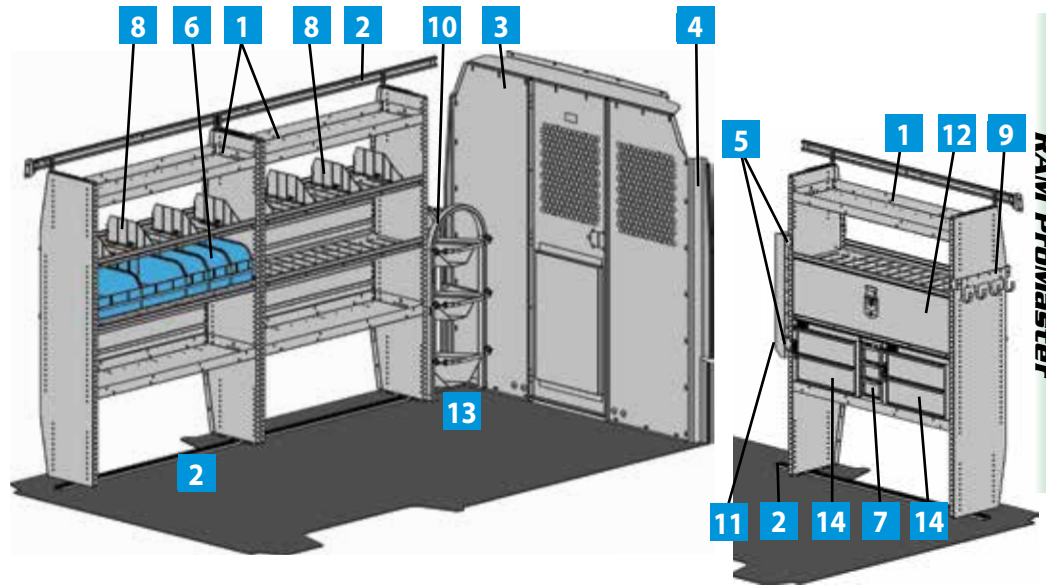
**5183
SATELLITE INSTALLATION
STARTER PACKAGE
RAM PROMASTER 136" WB**

ITEM	MODEL	DESCRIPTION	QTY
1	HAD4459	Hybrid 4-Shelf Unit	3
2	RKPMMWB	Mounting Rail Kit	1
3	S1M2HC2PM	Steel Partition Panel Kit w/ Visibility & Door Kit	1
4	WKC1PM	Steel Partition Mounting Kit	1
5	DC6	3-Drawer Unit	1
6	DV14C8	14" Shelf Dividers	1
7	TA1WAD	4-Hook Bar w/ Adapter	2
8	DK4210	Door Kit	1
9	19	2-Drawer Unit w/ Lock	2



**5184
HVAC STARTER PACKAGE
RAM PROMASTER 136" WB**

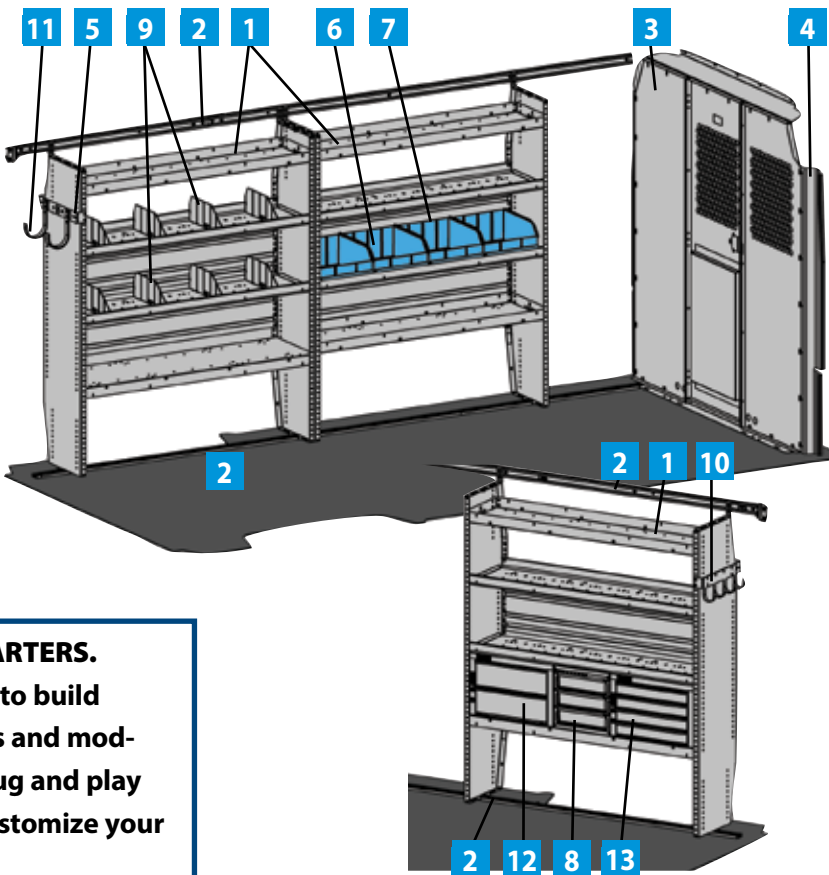
ITEM	MODEL	DESCRIPTION	QTY
1	HAD4459	Hybrid 4-Shelf Unit	3
2	RKPMMWB	Mounting Rail Kit	1
3	S1M2HC2PM	Steel Partition Panel Kit w/ Visibility & Door Kit	1
4	WKC1PM	Steel Partition Mounting Kit	1
5	BRK14EPS	End Panel Mounting Bracket	2
6	BR36212	Bin Set for Adjustable Shelving	1
7	DC6	3-Drawer Unit	1
8	DV14C8	14" Shelf Dividers	1
9	TA1WAD	4-Hook Bar w/ Adapter	1
10	WTR230150	Welded Tank Rack	1
11	CB5	5-Slot Literature Rack	1
12	DK4210	Door Kit w/ Open Back	1
13	RKAWTR	Tank Rack Adapter	1
14	19	2-Drawer Unit w/ Lock	2



RAM ProMaster

**5185
GENERAL SERVICE STARTER
PACKAGE
RAM PROMASTER 159" WB**

ITEM	MODEL	DESCRIPTION	QTY
1	HAD5059	ADseries Shelf Unit 50"	3
2	RKPMLWB	Mounting Rail Kit	1
3	S1M2HC2PM	Steel Partition Panel Kit w/ Visibility & Door Kit	1
4	WKC1PM	Steel Partition Mounting Kit	1
5	BRK14EPS	End Panel Mounting Bracket	1
6	SBIN120614	Snap In Bin	4
7	SRAILAD50	50" Bin Rail	1
8	DC12	3-Drawer Unit	1
9	DV14C8	14" Shelf Dividers	1
10	TA1WAD	4-Hook Bar w/ Adapter	1
11	UH50	Utility Hook	2
12	19	2-Drawer Unit w/ Lock	1
13	9	4-Drawer Unit w/ Lock	1

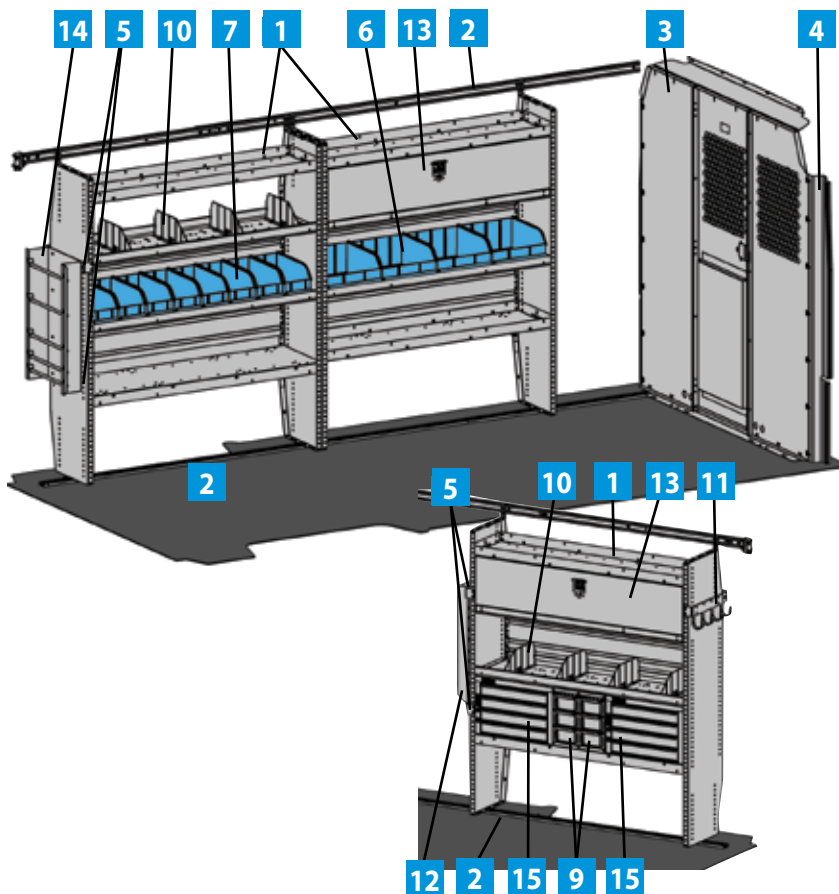


TRADE PACKAGES ARE THOUGHT STARTERS.

Use these packages as a starting point to build your own interior using the accessories and modules shown in this catalog. With our plug and play shelves and accessories, it is easy to customize your storage options.

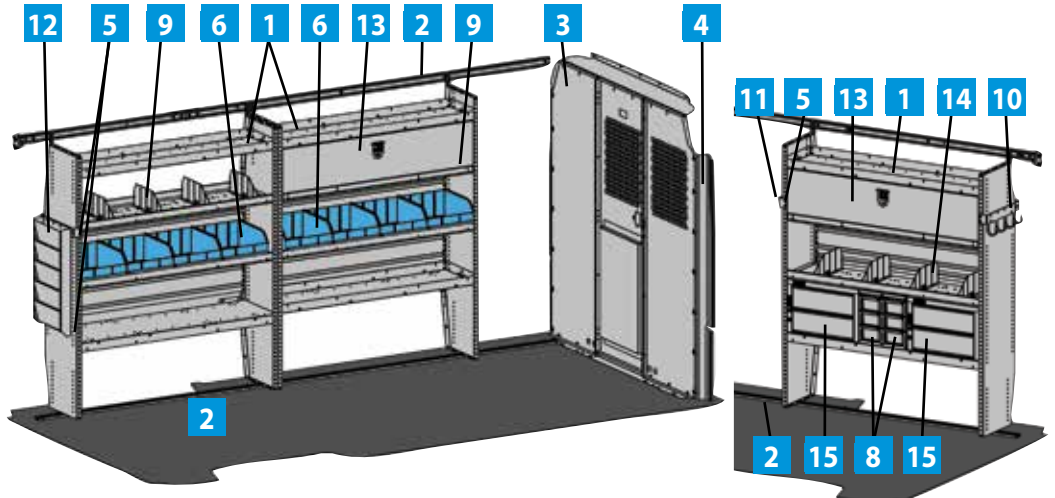
**5186
ELECTRICAL STARTER PACKAGE
RAM PROMASTER 159" WB**

ITEM	MODEL	DESCRIPTION	QTY
1	HAD5059	ADseries Shelf Unit 50"	3
2	RKPMLWB	Mounting Rail Kit	1
3	S1M2HC2PM	Steel Partition Panel Kit w/ Visibility & Door Kit	1
4	WKC1PM	Steel Partition Mounting Kit	1
5	BRK14EPS	End Panel Mounting Bracket	4
6	SBIN120614	Snap In Bin	4
7	SBIN060614	Snap In Bin	8
8	SRAILAD50	50" Bin Rail	2
9	DC6	3-Drawer Unit	2
10	DV14C8	14" Shelf Dividers	1
11	TA1WAD	4-Hook Bar w/ Adapter	1
12	CB5	5-Slot Literature Rack	1
13	DK4810	Door Kit	2
14	WRH5	5-Bar Spool Holder	1
15	9	4-Drawer Unit w/ Lock	2



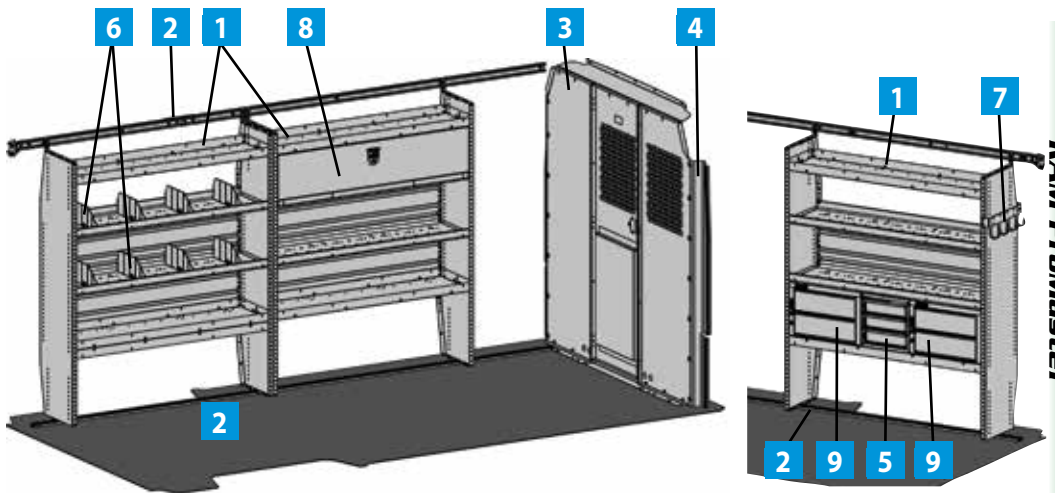
**5187
SECURITY STARTER PACKAGE
RAM PROMASTER 159" WB**

ITEM	MODEL	DESCRIPTION	QTY
1	HAD5059	ADseries Shelf Unit 50"	3
2	RKPMLWB	Mounting Rail Kit	1
3	S1M2HC2PM	Steel Partition Panel Kit w/ Visibility & Door Kit	1
4	WKC1PM	Steel Partition Mounting Kit	1
5	BRK14EPS	End Panel Mounting Bracket	3
6	SBIN120614	Snap In Bin	8
7	SRAILAD50	50" Bin Rail	2
8	DC6	3-Drawer Unit	2
9	DV14C8	14" Shelf Dividers	1
10	TA1WAD	4-Hook Bar w/ Adapter	1
11	UH50	Utility Hook	2
12	CB5	5-Slot Literature Rack	1
13	DK4810	Door Kit	2
14	DV14C1	Shelf Divider	4
15	19	2-Drawer Unit w/ Lock	2



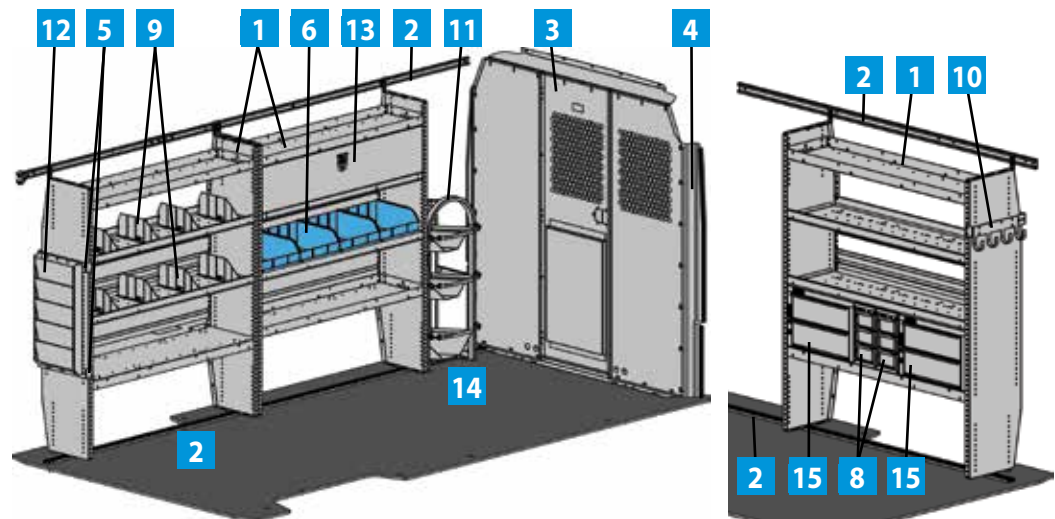
**5188
SATELLITE INSTALLATION
STARTER PACKAGE
RAM PROMASTER 159" WB**

ITEM	MODEL	DESCRIPTION	QTY
1	HAD5059	ADseries Shelf Unit 50"	3
2	RKPMLWB	Mounting Rail Kit	1
3	S1M2HC2PM	Steel Partition Panel Kit w/ Visibility & Door Kit	1
4	WKC1PM	Steel Partition Mounting Kit	1
5	DC12	3-Drawer Unit	1
6	DV14C8	14" Shelf Dividers	1
7	TA1WAD	4-Hook Bar w/ Adapter	1
8	DK4810	Door Kit	1
9	19	2-Drawer Unit w/ Lock	2



**5189
HVAC STARTER PACKAGE
RAM PROMASTER 159" WB**

ITEM	MODEL	DESCRIPTION	QTY
1	HAD5059	ADseries Shelf Unit 50"	3
2	RKPMLWB	Mounting Rail Kit	1
3	S1M2HC2PM	Steel Partition Panel Kit w/ Visibility & Door Kit	1
4	WKC1PM	Steel Partition Mounting Kit	1
5	BRK14EPS	End Panel Mounting Bracket	2
6	SBIN120614	Snap In Bin	4
7	SRAILAD50	50" Bin Rail	1
8	DC6	3-Drawer Unit	2
9	DV14C1	Shelf Divider	8
10	TA1WAD	4-Hook Bar w/ Adapter	1
11	WTR230150	Welded Tank Rack	1
12	CB5	5-Slot Literature Rack	1
13	DK4810	Door Kit	1
14	RKAWTR	Welded Tank Rack Rail Adapter	1
15	19	2-Drawer Unit w/ Lock	2



RAM ProMaster

FOR A MORE COMFORTABLE MOBILE OFFICE

NEW COMPOSITE PARTITION FOR TRANSIT CONNECT

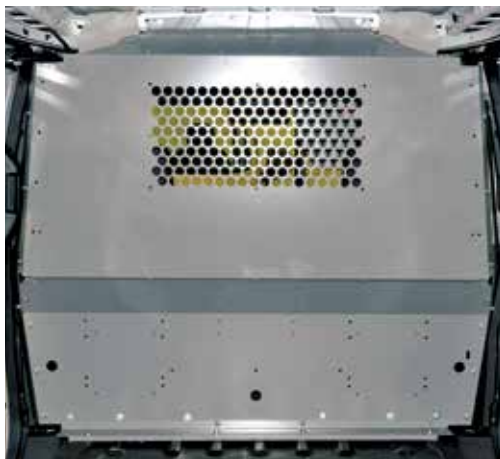


- Better Climate Control (than perforated partitions.)
- Reduces noise from the cargo area.
- Available with or without a clear poly rear-view window.
- Add hooks along the integrated AD rail.
- Mounting location by the door for a fire extinguisher (not included.)

Your Transit Connect mobile office is now more comfortable with an Adrian Steel composite partition. Sound deadening reduces driver distractions. Climate control reduces vehicle idle time for warm up and cool down. Generous leg room for less stress behind the wheel. The integrated steel frame provides the same level of performance that you are accustomed to from Adrian Steel.

PARTC - Composite Partition w/ Visibility

PARTC-NW - Composite Partition



STEEL PARTITION W/ VISIBILITY

The **P2TCS14** features all steel panels that safeguard the cab area against moving and shifting cargo. The recessed design allows for maximum adjustability of the front seats and provides storage space for a 6 foot step ladder in the back of the LWB Transit Connect. The perforated window allows for visibility of your cargo area and rear windows while the solid steel construction provides better climate control and sound deadening. The steel header and full perimeter wings provide optimal security. Fits 2014 and newer Transit Connect.

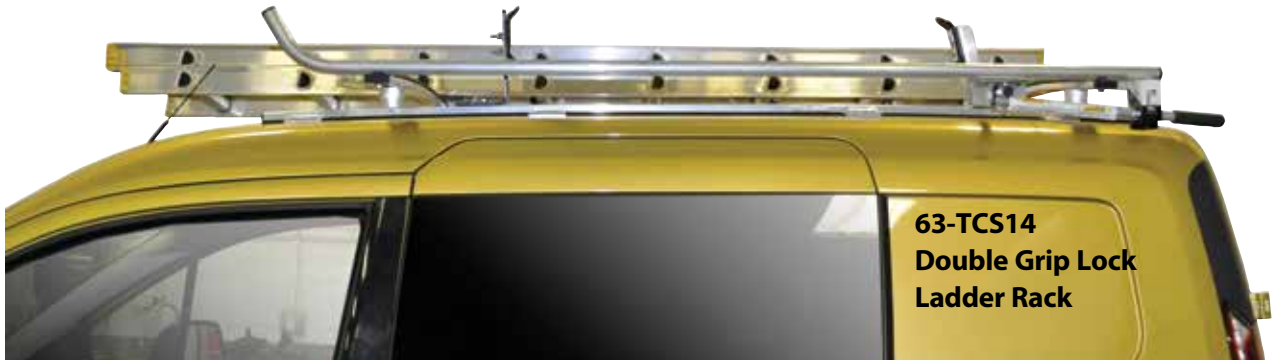
WIRE PARTITION

The **P2TCFW14** provides maximum visibility while safeguarding your van cab area against moving and shifting cargo. The recessed design allows for maximum adjustability of the front seats and provides storage space for a 6 foot step ladder in the back of the LWB Transit Connect. The **P2TCFW14** is light-weight and economical without sacrificing safety and security. Fits 2014 and newer Transit Connect.



GRIP YOUR LADDERS SECURELY WITH ADRIAN'S LOCKING STYLE LADDER RACKS.

Adrian's Grip-Lock racks protect the sides and roof of your van during loading and unloading ladders. All Grip-Lock racks feature a lockable, gripping mechanism which firmly secures one or two ladders to the top of the van. Racks easily adjust for ladders of different sizes.



**63-TCS14
Double Grip Lock
Ladder Rack**

TRANSIT CONNECT GRIP-LOCK RACK FEATURES AND BENEFITS

- Heavy-Duty actuating arm firmly grips ladder rungs to prevent shifting of ladder on rack.
- Gripping mechanism is lockable.
- Composite extrusions on front and rear crossbows and uprights protect ladders.
- Rung grips easily adjust to accommodate different types of ladders.
- Features an all aluminum design with a natural aluminum finish.
- There are no straps to deal with, clamping of ladder is automatic.
- Accommodates 24 ft. extension ladder on the SWB and a 28 ft.* extension ladder on the LWB.
- To carry a 6 ft. step ladder on the LWB only, order 1BTCGL14.

2014-ON TRANSIT CONNECT GRIP- LOCK LADDER RACKS

61-TCS14	Single Grip Lock Ladder Rack
63-TCS14	Double Grip Lock Ladder Rack
61-TCL14	Single Grip Lock Ladder Rack
63-TCL14	Double Grip Lock Ladder Rack

2014-ON TRANSIT CONNECT 2 BAR ALUMINUM UTILITY RACK (NOT SHOWN)

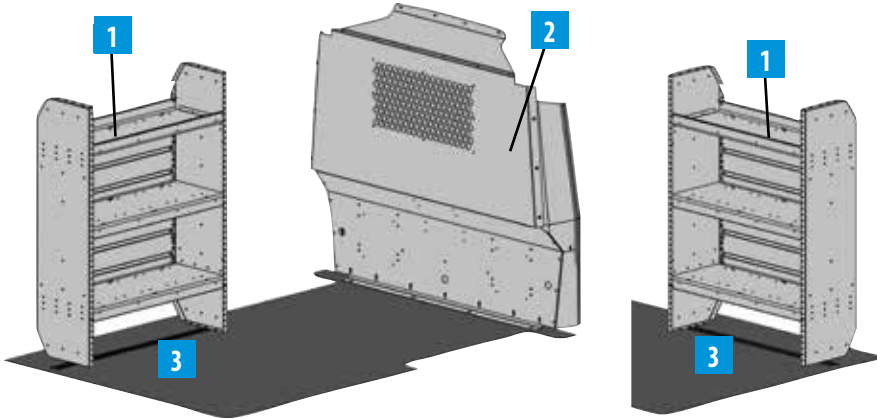
2BTCS14	2-Bar Utility Rack
2BTCL14	2-Bar Utility Rack

*Note: This rack can accommodate 28 ft. extension ladders with extra length extending off the rear of the vehicle for balance. Check with local regulations regarding rear overhang of loads.



**63-TCL14
Double Grip Lock
Ladder Rack**

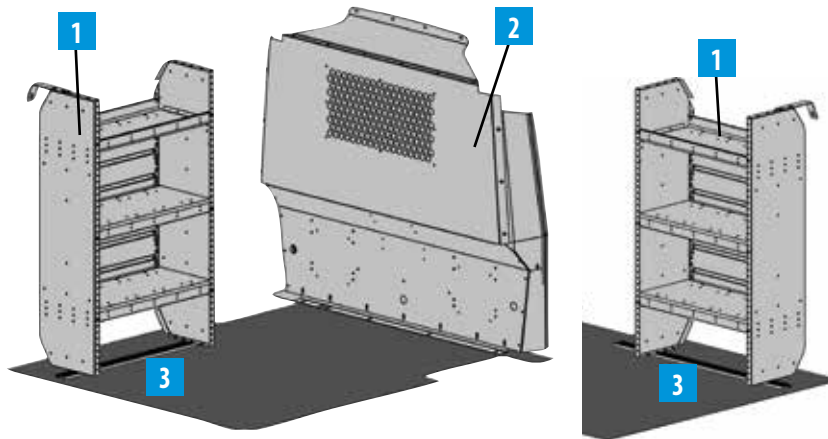
Visit adriansteel.com for 2013 and older Transit Connect products.



**5218
SHELVING STARTER PACKAGE**

2014-on Transit Connect LWB

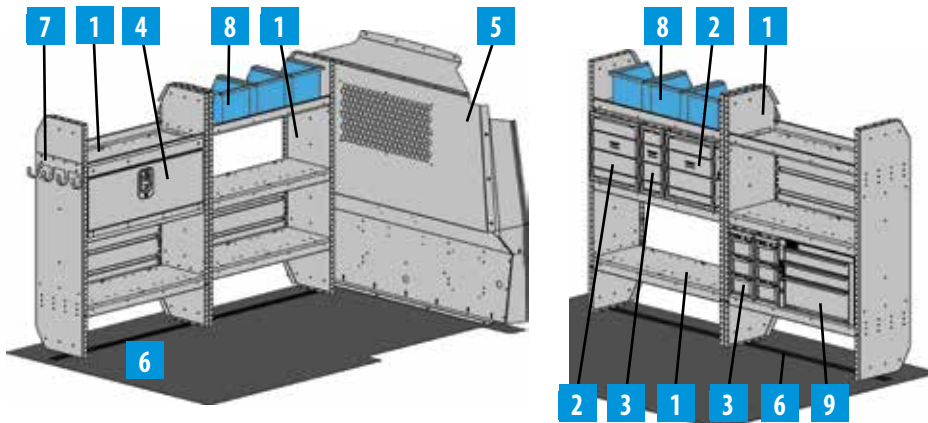
ITEM	MODEL	DESCRIPTION	QTY
1	AD1232TC14	Adjustable 3-Shelf Unit	2
2	P2TCS14	Steel Partition w/ Visibility	1
3	RKTC14	Mounting Rail Kit	2



**5224
COMMERCIAL SHELVING
STARTER PACKAGE**

2014-on Transit Connect SWB

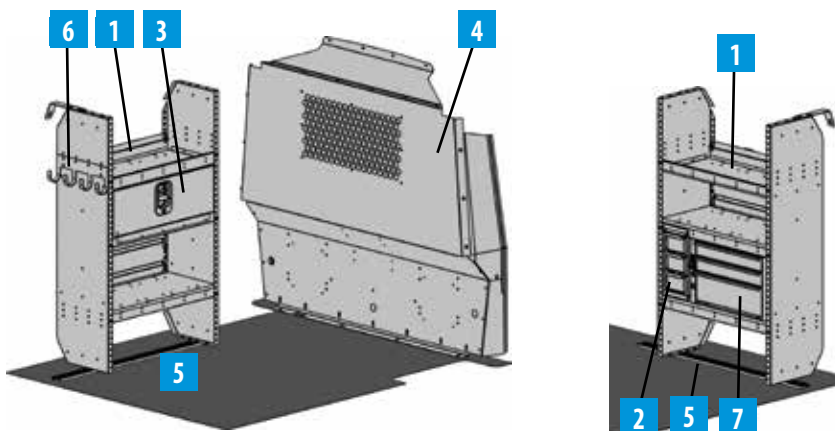
ITEM	MODEL	DESCRIPTION	QTY
1	AD1226TC14	Adjustable 3-Shelf Unit	2
2	P2TCS14	Steel Partition w/ Visibility	1
3	RKTC14	Mounting Rail Kit	2



**5219
GENERAL SERVICE STARTER
PACKAGE**

2014-on Transit Connect LWB

ITEM	MODEL	DESCRIPTION	QTY
1	AD1232TC14	Adjustable 3-Shelf Unit	4
2	DC12	3-Drawer Unit	2
3	DC6	3-Drawer Unit	3
4	DK32TC	Door Kit	1
5	P2TCS14	Steel Partition w/ Visibility	1
6	RKDC14	Mounting Rail Kit	2
7	TA1	4-Hook Bar	1
8	28	Parts Bin	6
9	919	3-Drawer Unit w/ Lock	1

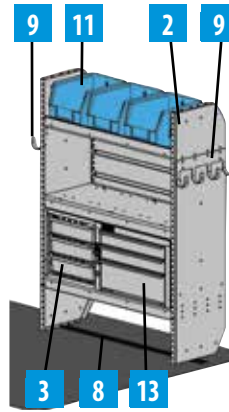
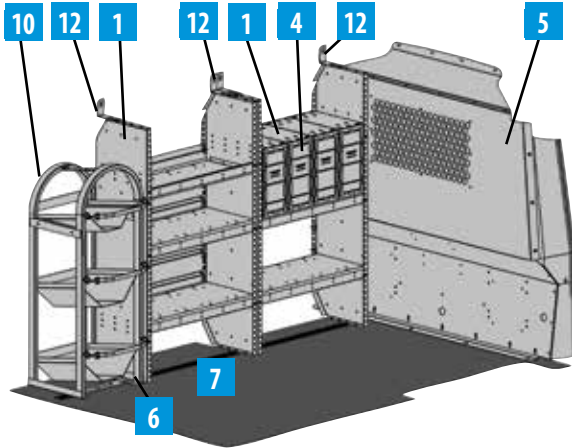


**5225
GENERAL SERVICE STARTER
PACKAGE**

2014-on Transit Connect SWB

ITEM	MODEL	DESCRIPTION	QTY
1	AD1226TC14	Adjustable 3-Shelf Unit	2
2	DC6	3-Drawer Unit	1
3	DK26TC	Door Kit	1
4	P2TCS14	Steel Partition w/ Visibility	1
5	RKTC14	Mounting Rail Kit	2
6	TA1	4-Hook Bar	1
7	919	3-Drawer Unit w/ Lock	1

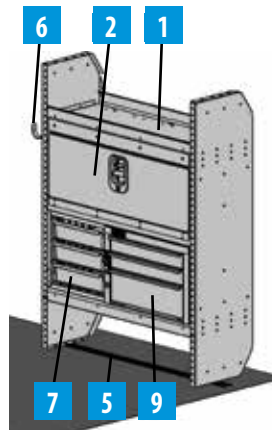
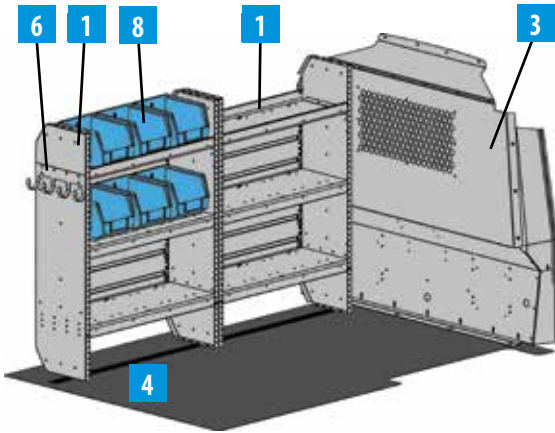
Ford Transit Connect



5217 HVAC STARTER PACKAGE

2014-on Transit Connect LWB

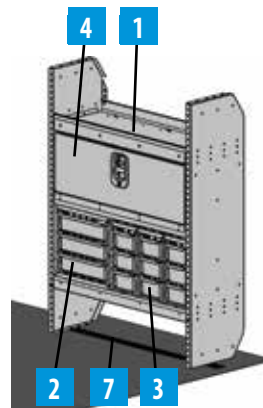
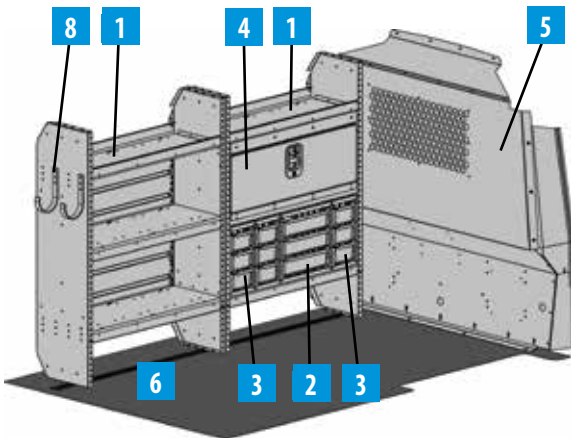
ITEM	MODEL	DESCRIPTION	QTY
1	AD1226TC14	Adjustable 3-Shelf Unit	2
2	AD1232TC14	Adjustable 3-Shelf Unit	1
3	DC12	3-Drawer Unit	1
4	DC6	3-Drawer Unit	4
5	P2TCS14	Steel Partition w/ Visibility	1
6	RKAWTR	Welded Tank Rack Rail Adapter	1
7	RKDTC14	Mounting Rail Kit	1
8	RKTC14	Mounting Rail Kit	1
9	TA1	4-Hook Bar	2
10	WTR130250	Welded Tank Rack	1
11	28	Parts Bin	3
12	46361-G	Mounting Bracket	3
13	919	3-Drawer Unit w/ Lock	1



5220 ELECTRICAL STARTER PACKAGE

2014-on Transit Connect LWB

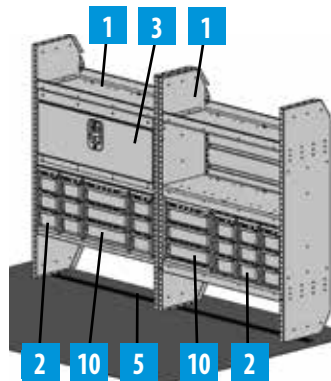
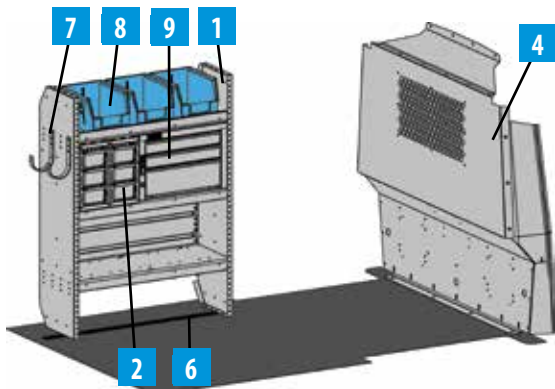
ITEM	MODEL	DESCRIPTION	QTY
1	AD1232TC14	Adjustable 3-Shelf Unit	3
2	DK32TC	Door Kit	1
3	P2TCS14	Steel Partition w/ Visibility	1
4	RKDTC14	Mounting Rail Kit	1
5	RKTC14	Mounting Rail Kit	1
6	TA1	4-Hook Bar	2
7	DC12	3-Drawer Unit	1
8	28	Parts Bin	6
9	919	3-Drawer Unit w/ Lock	1



5221 SATELLITE INSTALLATION STARTER PACKAGE

2014-on Transit Connect LWB

ITEM	MODEL	DESCRIPTION	QTY
1	AD1232TC14	Adjustable 3-Shelf Unit	3
2	DC12	3-Drawer Unit	2
3	DC6	3-Drawer Unit	6
4	DK32TC	Door Kit	2
5	P2TCS14	Steel Partition w/ Visibility	1
6	RKDTC14	Mounting Rail Kit	1
7	RKTC14	Mounting Rail Kit	1
8	UH50	Utility Hook	2



5222 PLUMBING STARTER PACKAGE

2014-on Transit Connect LWB

ITEM	MODEL	DESCRIPTION	QTY
1	AD1232TC14	Adjustable 3-Shelf Unit	3
2	DC6	3-Drawer Unit	8
3	DK32TC	Door Kit	1
4	P2TCS14	Steel Partition w/ Visibility	1
5	RKDTC14	Mounting Rail Kit	1
6	RKTC14	Mounting Rail Kit	1
7	UH50	Utility Hook	2
8	28	Parts Bin	3
9	919	3-Drawer Unit w/ Lock	1
10	DC12	3-Drawer Unit	2

All illustrations, photos and specifications in this publication are based on the latest product information available at the time of content approval. The right is reserved to make changes at any time, without notice, in materials, specifications and models, and also to discontinue models.

STEEL AND WIRE PARTITION OPTIONS FOR THE CITY EXPRESS & NV200



**P2NV2S
STEEL PARTITION W/ VISIBILITY**

- Features all steel panels to safeguard the cab area against moving or shifting cargo.
- Recessed design allows for maximum adjustability of front seats.
- Perforated window provides full visibility of your cargo area and rear windows.
- Steel header and full perimeter wings provide optimal security.
- Recessed bottom panel provides room for a 6 foot step ladder or other accessories.

Note: Wing kits are not needed.



**P2NV2FW
WIRE PARTITION**

- Provides maximum visibility while safeguarding your van cab area against moving, shifting cargo.
- Recessed design allows for maximum adjustability of your driver and passenger seats.
- Lightweight and economical, without sacrificing safety and security.

City Express / NV200

Ladder Racks



SHOWN:
63-NV2 Double Grip
Lock Ladder Rack

The **Grip-Lock Rack** features an all aluminum design with a natural finish for the best in quality and longevity. The Grip-Lock mounts directly to pre-existing mounting points in the van roof, no drilling is required for installation. Available in single and double configurations.

- 61-NV2 - Single Grip Lock Ladder Rack
- 63-NV2 - Double Grip Lock Ladder Rack



The most flexible rack in the market, the **2BNV2** features an all aluminum design that allows you to maximize the roof of the City Express or NV200. No drill installation and an innovative rail system allows the user to easily reposition the crossbows where they are needed.

2BNV2 - 2-Bar Utility Rack

4959

BASE STARTER PACKAGE

One ADseries Shelf and Steel Partition
City Express & NV200

ITEM	MODEL	DESCRIPTION	QTY
1	AD32FP	Adjustable 3-Shelf Unit	1
2	RKNV2-SS	Driver Side Mounting Plate Kit	1
3	P2NV2S	Steel Partition w/ Visibility	1



4960

BASE STARTER PACKAGE

One ADseries Shelf and Wire Partition
City Express & NV200

ITEM	MODEL	DESCRIPTION	QTY
1	AD32FP	Adjustable 3-Shelf Unit	1
2	RKNV2-SS	Driver Side Mounting Plate Kit	1
3	P2NV2FW	Wire Partition	1



4961

BASE STARTER PACKAGE

One HD Series Shelf and Steel Partition
City Express & NV200

ITEM	MODEL	DESCRIPTION	QTY
1	HD-32NV2	4-Shelf Unit	1
2	RKNV2-SS	Driver Side Mounting Plate Kit	1
3	P2NV2S	Steel Partition w/ Visibility	1



4962

BASE STARTER PACKAGE

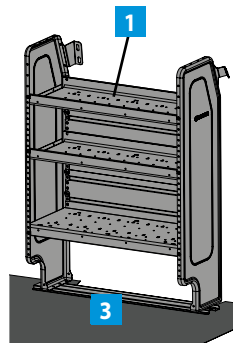
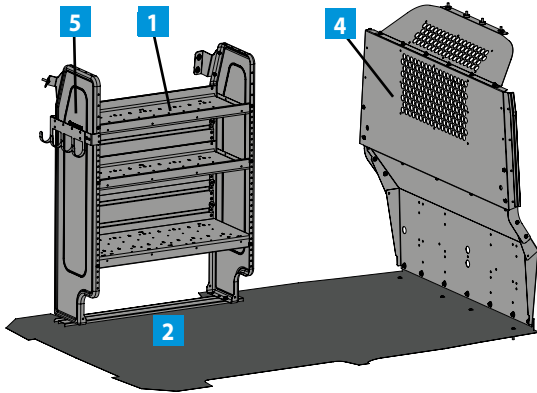
One HD Series Shelf and Wire Partition
City Express & NV200

ITEM	MODEL	DESCRIPTION	QTY
1	HD-32NV2	4-Shelf Unit	1
2	RKNV2-SS	Driver Side Mounting Plate Kit	1
3	P2NV2FW	Wire Partition	1



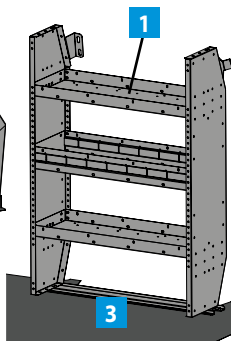
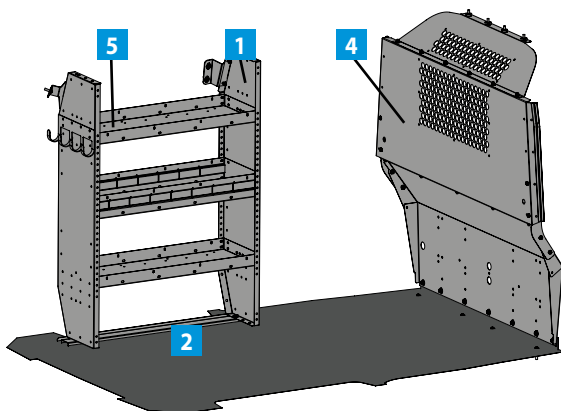
4964
DUAL SHELF STARTER PACKAGE
 Includes two 32" ADseries Shelves
City Express & NV200

ITEM	MODEL	DESCRIPTION	QTY
1	AD32FP	Adjustable 3-Shelf Unit	2
2	RKNV2-SS	Driver Side Mounting Plate Kit	1
3	RKNV2-CS	Passenger Side Mounting Plate Kit	1
4	P2NV2S	Steel Partition w/ Visibility	1
5	TA1WAD	4-Hook Bar w/ Adapter	1



4965
DUAL SHELF STARTER PACKAGE
 Includes two 32" HD Series Shelves
City Express & NV200

ITEM	MODEL	DESCRIPTION	QTY
1	HD-32NV2	4-Shelf Unit	2
2	RKNV2-SS	Driver Side Mounting Plate Kit	1
3	RKNV2-CS	Passenger Side Mounting Plate Kit	1
4	P2NV2S	Steel Partition w/ Visibility	1
5	TA1	4-Hook Bar	1



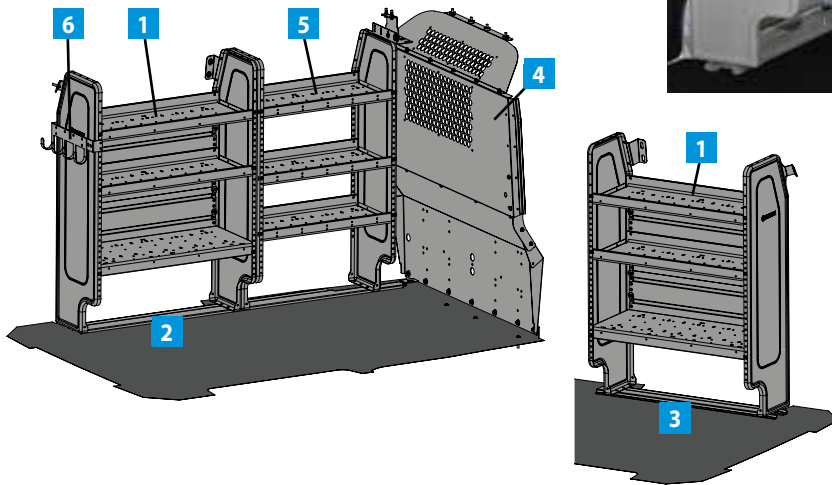
City Express / NV200

4966

TRIPLE SHELF STARTER PACKAGE

Includes two 32" & one 28" ADseries Shelves
City Express & NV200

ITEM	MODEL	DESCRIPTION	QTY
1	AD32FP	Adjustable 3-Shelf Unit	2
2	RK67NV2-SS	Driver Side Mounting Rail Kit	1
3	RKNV2-CS	Passenger Side Mounting Plate Kit	1
4	P2NV2S	Steel Partition w/ Visibility	1
5	AD28NV2	Adjustable 3-Shelf Unit	1
6	TA1WAD	4-Hook Bar w/ Adapter	1

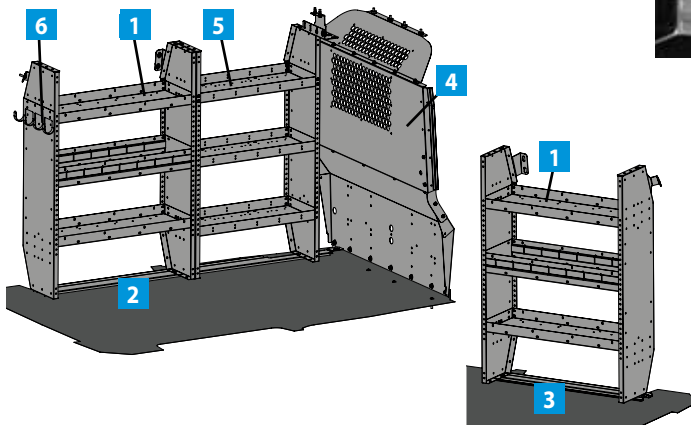


4967

TRIPLE SHELF STARTER PACKAGE

Includes two 32" & one 28" HD Series Shelves
City Express & NV200

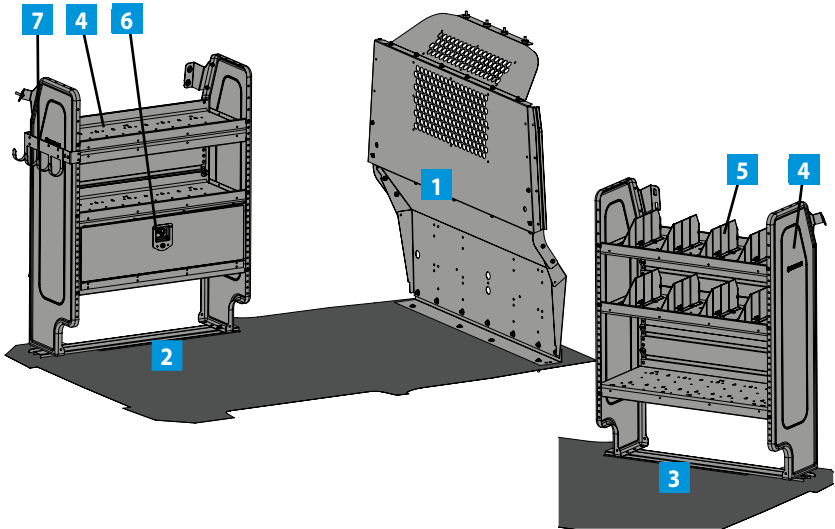
ITEM	MODEL	DESCRIPTION	QTY
1	HD-32NV2	4-Shelf Unit	2
2	RK67NV2-SS	Driver Side Mounting Rail Kit	1
3	RKNV2-CS	Passenger Side Mounting Plate Kit	1
4	P2NV2S	Steel Partition w/ Visibility	1
5	HD-28NV2	3-Shelf Unit	1
6	TA1	4-Hook Bar	1



City Express / NV200

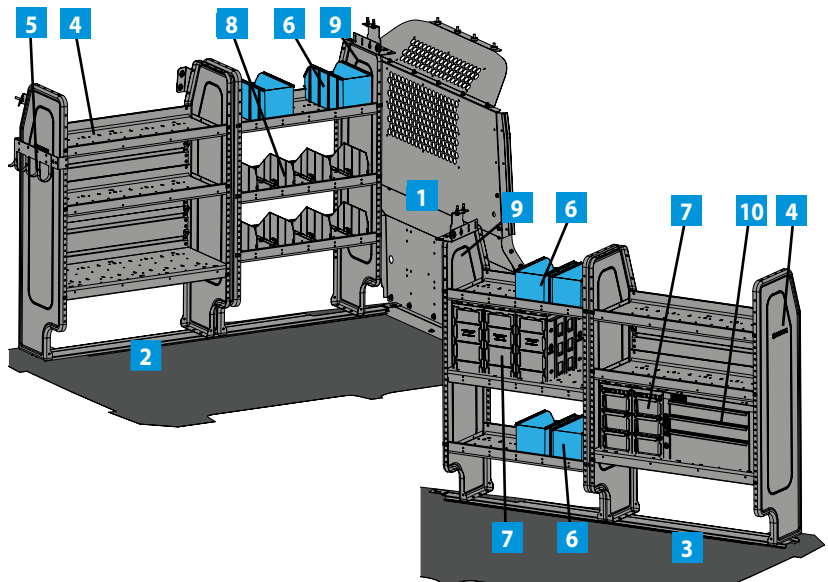
**5098
SATELLITE INSTALLATION STARTER
PACKAGE
City Express & NV200**

ITEM	MODEL	DESCRIPTION	QTY
1	P2NV2S	Steel Partition w/ Visibility	1
2	RKNV2-SS	Driver Side Mounting Plate Kit	1
3	RKNV2-CS	Passenger Side Mounting Plate Kit	1
4	AD32FP	Adjustable 3-Shelf Unit	2
5	DV14C8	14" Shelf Dividers	1
6	DK532	Door Kit w/ Back Panel	1
7	TA1WAD	4-Hook Bar w/ Adapter	1



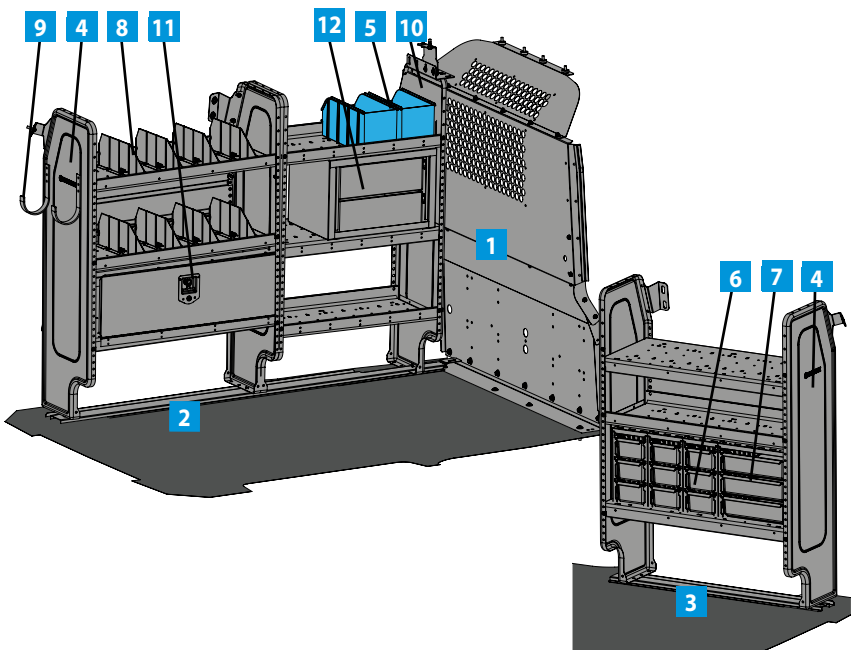
**5100
GENERAL SERVICE STARTER PACKAGE
City Express & NV200**

ITEM	MODEL	DESCRIPTION	QTY
1	P2NV2S	Steel Partition w/ Visibility	1
2	RK67NV2-SS	Driver Side Mounting Rail Kit	1
3	RK67NV2-CS	Passenger Side Mounting Rail Kit	1
4	AD32FP	Adjustable 3-Shelf Unit	2
5	TA1WAD	4-Hook Bar w/ Adapter	1
6	SBIN060614	Snap In Bin	6
7	DC6	3-Drawer Unit	5
8	DV14C8	14" Shelf Dividers	1
9	AD28NV2	Adjustable 3-Shelf Unit	2
10	919	3-Drawer Unit w/ Lock	1



**5097
SATELLITE INSTALLATION STARTER
PACKAGE
City Express & NV200**

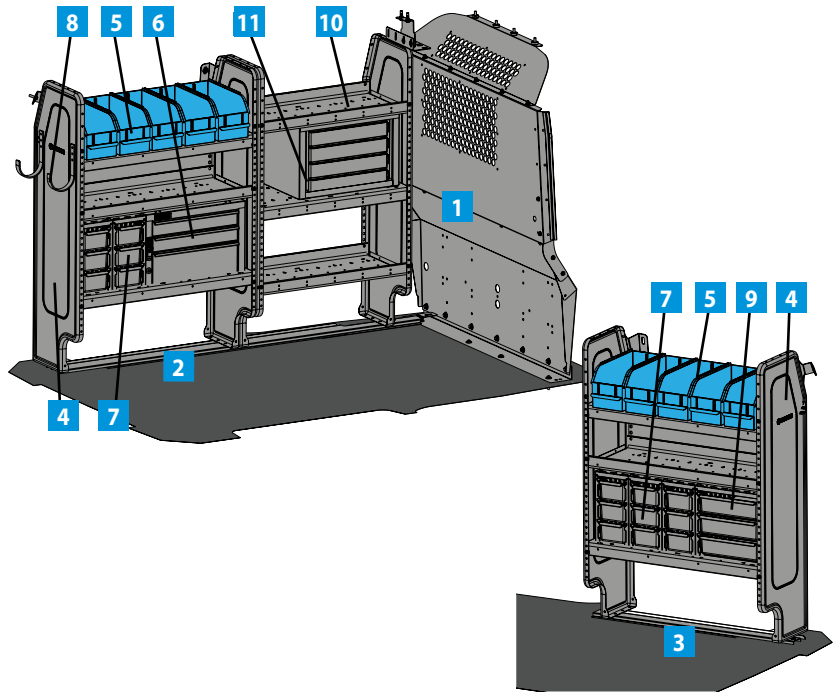
ITEM	MODEL	DESCRIPTION	QTY
1	P2NV2S	Steel Partition w/ Visibility	1
2	RK67NV2-SS	Driver Side Mounting Rail Kit	1
3	RKNV2-CS	Passenger Side Mounting Plate Kit	1
4	AD32FP	Adjustable 3-Shelf Unit	2
5	SBIN060614	Snap In Bin	2
6	DC6	3-Drawer Unit	3
7	DC12	3-Drawer Unit	1
8	DV14C8	14" Shelf Dividers	1
9	UH50	Utility Hook	2
10	AD28NV2	Adjustable 3-Shelf Unit	1
11	DK532	Door Kit w/ Back Panel	1
12	19	2-Drawer Unit w/ Lock	1



City Express / NV200

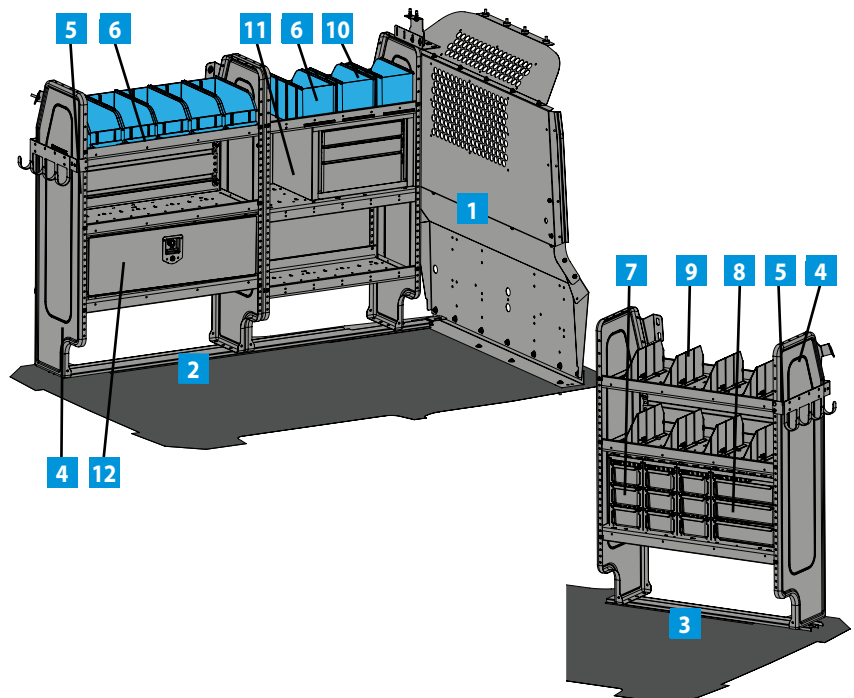
**5096
PLUMBING STARTER PACKAGE
City Express & NV200**

ITEM	MODEL	DESCRIPTION	QTY
1	P2NV2S	Steel Partition w/ Visibility	1
2	RK67NV2-SS	Driver Side Mounting Rail Kit	1
3	RKNV2-CS	Passenger Side Mounting Plate Kit	1
4	AD32FP	Adjustable 3-Shelf Unit	2
5	SBIN060614	Snap In Bin	10
6	919	3-Drawer Unit w/ Lock	1
7	DC6	3-Drawer Unit	5
8	UH50	Utility Hook	2
9	DC12	3-Drawer Unit	1
10	AD28NV2	Adjustable 3-Shelf Unit	1
11	9	4-Drawer Unit w/ Lock	1
12	SRAILAD32	32" Bin Rail	2
13	BAGSRAIL	Fastener Bag	1



**5099
ELECTRICAL STARTER PACKAGE
City Express & NV200**

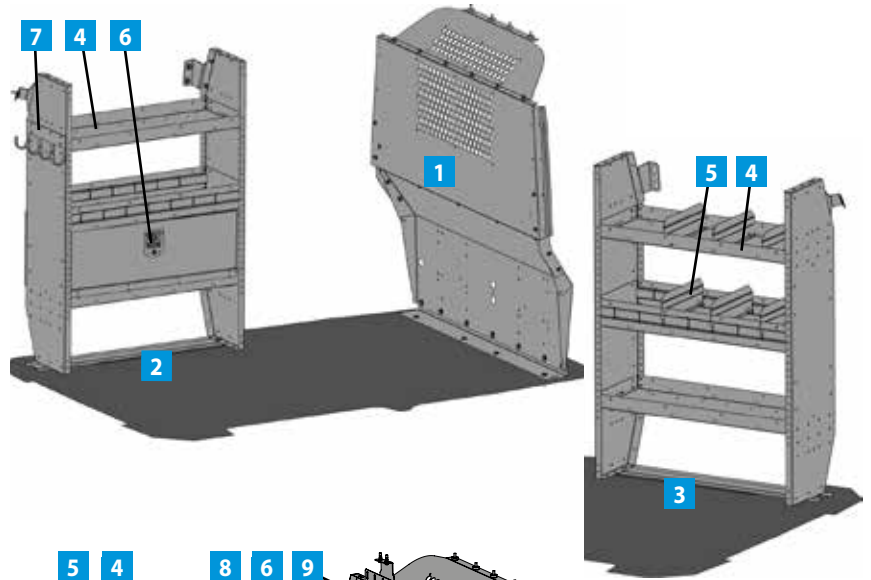
ITEM	MODEL	DESCRIPTION	QTY
1	P2NV2S	Steel Partition w/ Visibility	1
2	RK67NV2-SS	Driver Side Mounting Rail Kit	1
3	RKNV2-CS	Passenger Side Mounting Plate Kit	1
4	AD32FP	Adjustable 3-Shelf Unit	2
5	TA1WAD	4-Hook Bar w/ Adapter	2
6	SBIN060614	Snap In Bin	8
7	DC6	3-Drawer Unit	3
8	DC12	3-Drawer Unit	1
9	DV14C8	14" Shelf Dividers	1
10	AD28NV2	Adjustable 3-Shelf Unit	1
11	919	3-Drawer Unit w/ Lock	1
12	DK532	Door Kit w/ Back Panel	1
13	SRAILAD32	32" Bin Rail	1
14	BAGSRAIL	Fastener Bag	1



City Express / NV200

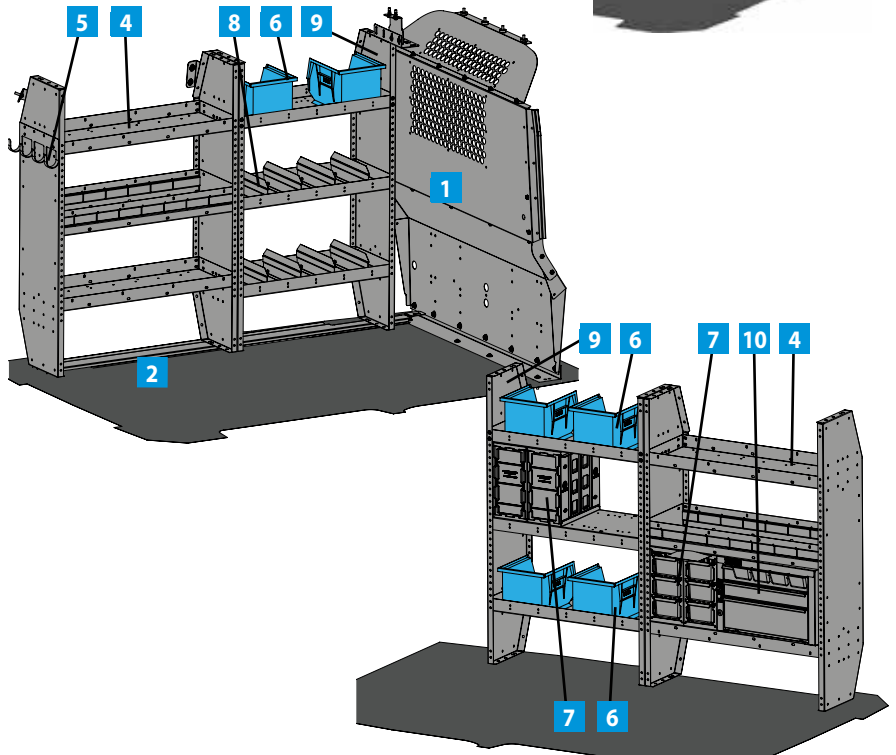
5082 COMMERCIAL STARTER PACKAGE City Express & NV200

ITEM	MODEL	DESCRIPTION	QTY
1	P2NV2S	Steel Partition w/ Visibility	1
2	RKNV2-SS	Driver Side Mounting Plate Kit	1
3	RKNV2-CS	Passenger Side Mounting Plate Kit	1
4	HD-32NV2	4-Shelf Unit	2
5	DV12	Shelf Divider	6
6	DK532	Door Kit w/ Back Panel	1
7	TA1	4-Hook Bar	1



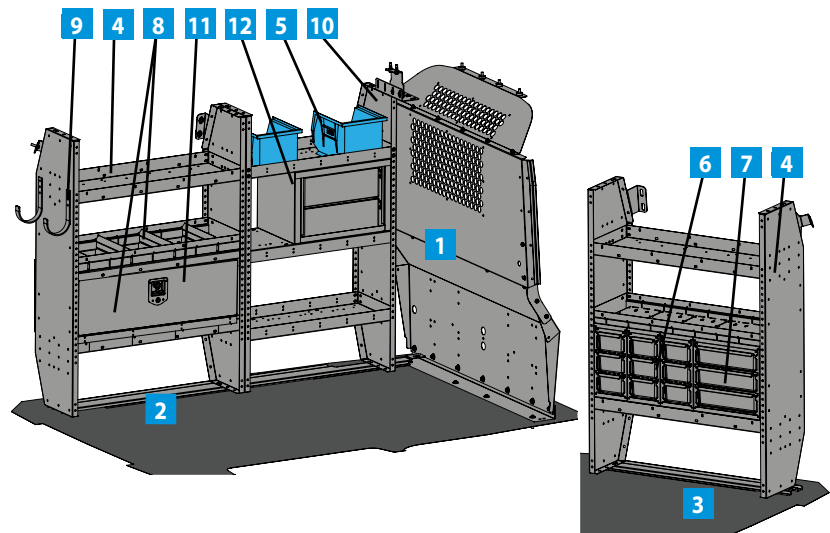
5084 GENERAL SERVICE STARTER PACKAGE City Express & NV200

ITEM	MODEL	DESCRIPTION	QTY
1	P2NV2S	Steel Partition w/ Visibility	1
2	RK67NV2-SS	Driver Side Mounting Rail Kit	1
3	RK67NV2-CS	Passenger Side Mounting Rail Kit	1
4	HD-32NV2	4-Shelf Unit	2
5	TA1	4-Hook Bar	1
6	28	Parts Bin	6
7	DC6	3-Drawer Unit	5
8	DV12	Shelf Divider	8
9	HD-28NV2	3-Shelf Unit	2
10	919	3-Drawer Unit w/ Lock	1



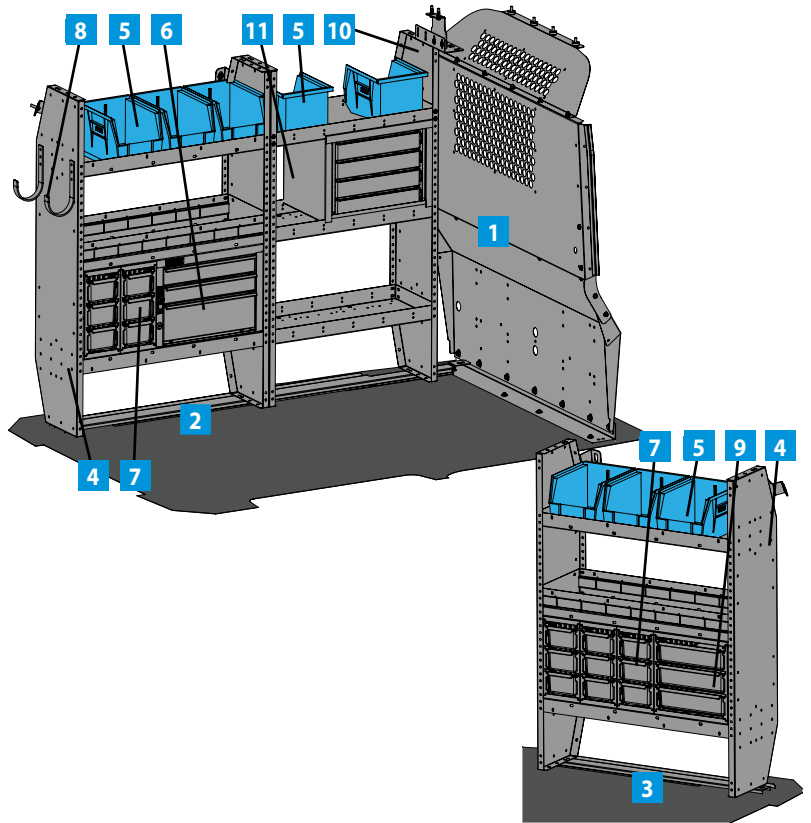
5081 SATELLITE INSTALLATION STARTER PACKAGE City Express & NV200

ITEM	MODEL	DESCRIPTION	QTY
1	P2NV2S	Steel Partition w/ Visibility	1
2	RK67NV2-SS	Driver Side Mounting Rail Kit	1
3	RKNV2-CS	Passenger Side Mounting Plate Kit	1
4	HD-32NV2	4-Shelf Unit	2
5	28	Parts Bin	2
6	DC6	3-Drawer Unit	3
7	DC12	3-Drawer Unit	1
8	DV12	Shelf Divider	8
9	UH50	Utility Hook	2
10	HD-28NV2	3-Shelf Unit	1
11	DK532	Door Kit w/ Back Panel	1
12	19	2-Drawer Unit w/ Lock	1



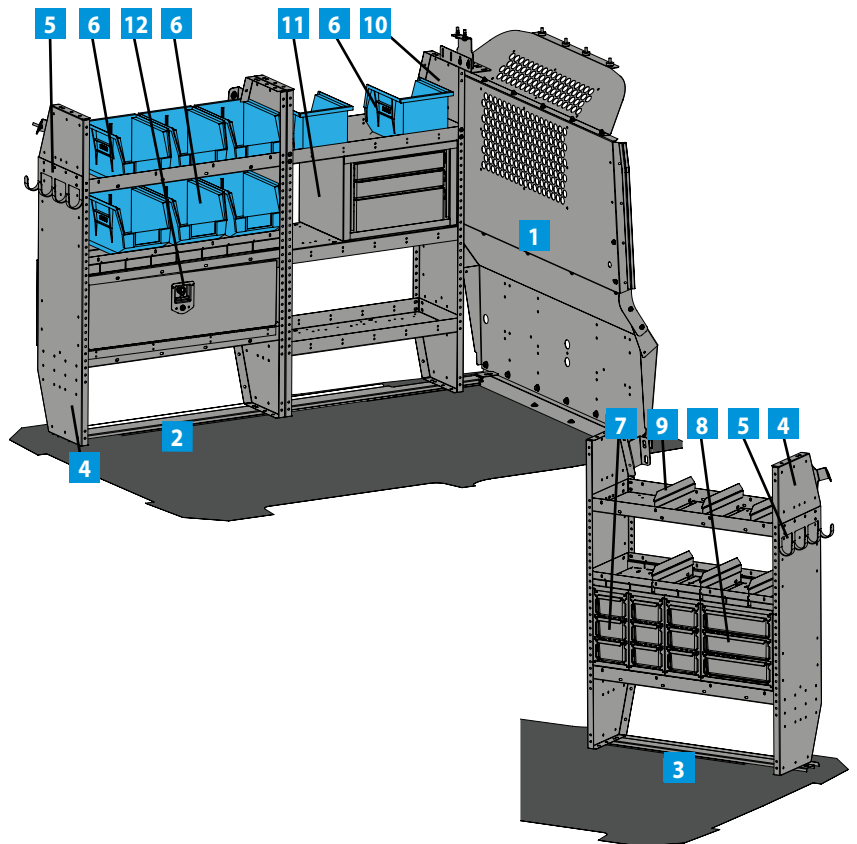
5080 PLUMBING STARTER PACKAGE City Express & NV200

ITEM	MODEL	DESCRIPTION	QTY
1	P2NV2S	Steel Partition w/ Visibility	1
2	RK67NV2-SS	Driver Side Mounting Rail Kit	1
3	RKNV2-CS	Passenger Side Mounting Plate Kit	1
4	HD-32NV2	4-Shelf Unit	2
5	28	Parts Bin	8
6	919	3-Drawer Unit w/ Lock	1
7	DC6	3-Drawer Unit	5
8	UH50	Utility Hook	2
9	DC12	3-Drawer Unit	1
10	HD-28NV2	3-Shelf Unit	1
11	9	4-Drawer Unit w/ Lock	1



5083 ELECTRICAL STARTER PACKAGE City Express & NV200

ITEM	MODEL	DESCRIPTION	QTY
1	P2NV2S	Steel Partition w/ Visibility	1
2	RK67NV2-SS	Driver Side Mounting Rail Kit	1
3	RKNV2-CS	Passenger Side Mounting Plate Kit	1
4	HD-32NV2	4-Shelf Unit	2
5	TA1	4-Hook Bar	2
6	28	Parts Bin	8
7	DC6	3-Drawer Unit	3
8	DC12	3-Drawer Unit	1
9	DV12	Shelf Divider	8
10	HD-28NV2	3-Shelf Unit	1
11	919	3-Drawer Unit w/ Lock	1
12	DK532	Door Kit	1



STEEL PARTITION W/ VISIBILITY

The **P2PMCS15** features all steel panels that safeguard the cab area against moving and shifting cargo. The recessed design allows for maximum adjustability of the front seats and provides storage space for a 6 foot step ladder in the back of the ProMaster City. The perforated window allows for visibility of your cargo area and rear windows while the solid steel construction provides better climate control and sound deadening. The steel header and full perimeter wings provide optimal security. Order the **P1PMCS15** for a solid partition with out the perforated window. Perfect for extra cab climate control.



WIRE PARTITION

The **P2PMCFW15** provides maximum visibility while safeguarding your van cab area against moving and shifting cargo. The recessed design allows for maximum adjustability of the front seats and provides storage space for a 6 foot step ladder in the back of the ProMaster City. The **P2PMCFW15** is lightweight and economical without sacrificing safety and security.



Ladder Rack

PROMASTER CITY GRIP-LOCK RACK FEATURES AND BENEFITS

- Heavy-Duty actuating arm firmly grips ladder rungs to prevent shifting of ladder on rack.
- Gripping mechanism is lockable.
- Composite extrusions on front and rear crossbows and uprights protect ladders.
- Rung grips easily adjust to accommodate different types of ladders.
- Features an all aluminum design with a natural aluminum finish.
- There are no straps to deal with, clamping of ladder is automatic.
- Accommodates up to a 24 ft. extension ladder.
- To carry a 6 ft. step ladder, order **1BPMCGL**.

MODEL	DESCRIPTION
61-PMC	Single Grip Lock Rack, fits ProMaster City
63-PMC	Double Grip Lock Ladder Rack
2BPMC	2-Bar Utility Rack
61TCSSUR	Utility Rack Add-On Kit



61-PMC Single Grip Lock Ladder Rack with a 61TCSSUR Utility Rack Add-On Kit on a ProMaster City.

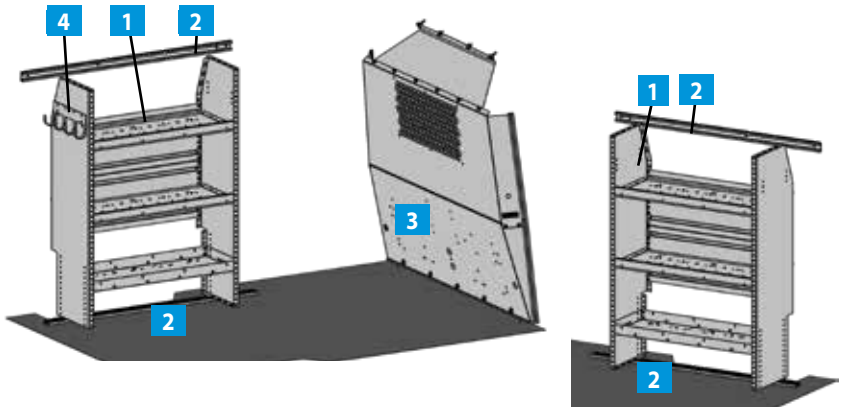
RAM ProMaster City

**4964PMC
DUAL SHELF STARTER PACKAGE**

Two 32" ADseries Shelves

ProMaster City

ITEM	MODEL	DESCRIPTION	QTY
1	AD32PMC	3-Shelf Unit	2
2	RKPMC	Mounting Rail Kit	2
3	P2PMCS15	Steel Partitoin w/ Visibility	1
4	TA1	4-Hook Bar	1

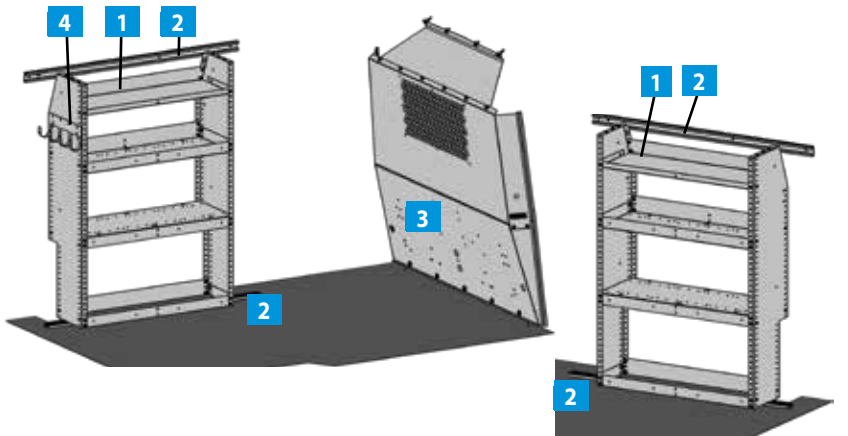


**4965PMC
DUAL SHELF STARTER PACKAGE**

Two 32" HD Series Shelves

ProMaster City

ITEM	MODEL	DESCRIPTION	QTY
1	HD32TC	3-Shelf Unit	2
2	RKPMC	Mounting Rail Kit	2
3	P2PMCS15	Steel Partitoin w/ Visibility	1
4	TA1	4-Hook Bar	1

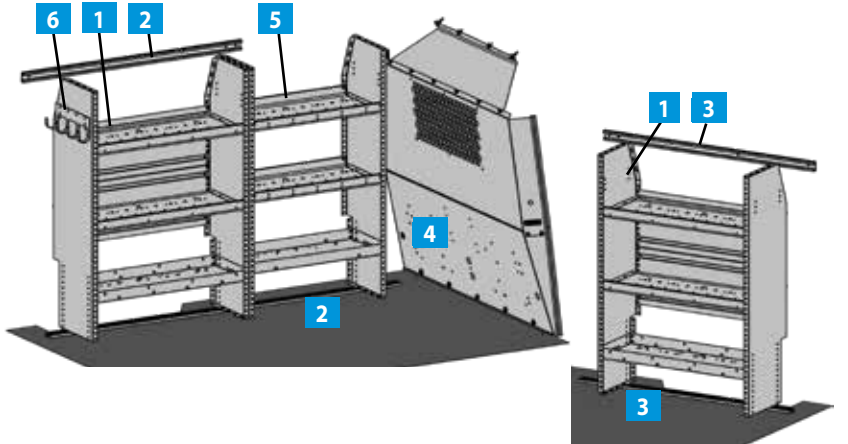


**4966PMC
TRIPLE SHELF STARTER PACKAGE**

Two 32" & one 28" ADseries Shelves

ProMaster City

ITEM	MODEL	DESCRIPTION	QTY
1	AD32PMC	3-Shelf Unit	2
2	RK72PMC	Mounting Rail Kit	1
3	RKPMC	Mounting Rail Kit	1
4	P2PMCS15	Steel Partitoin w/ Visibility	1
5	AD28PMC	3-Shelf Unit	1
6	TA1	4-Hook Bar	1

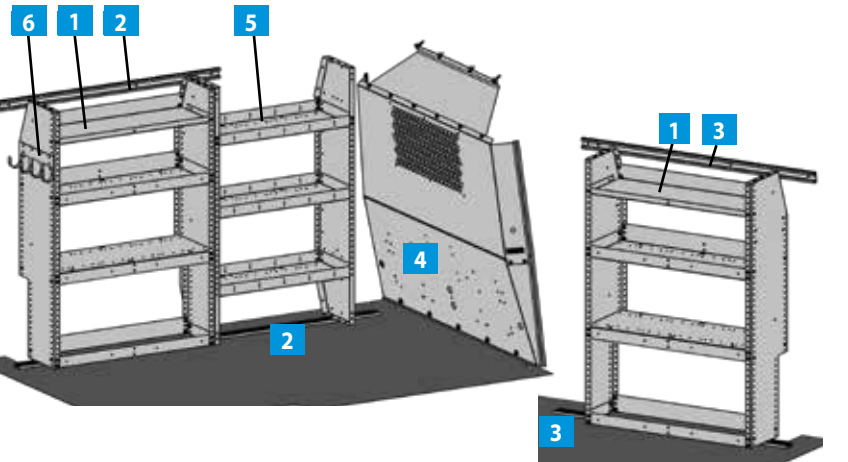


**4967PMC
TRIPLE SHELF STARTER PACKAGE**

Two 32" & one 28" HD Series Shelves

ProMaster City

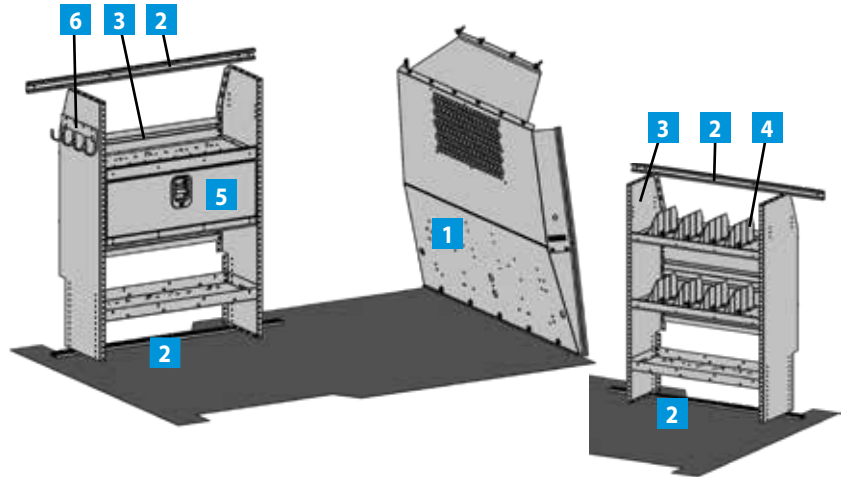
ITEM	MODEL	DESCRIPTION	QTY
1	HD32TC	3-Shelf Unit	2
2	RK72PMC	Mounting Rail Kit	1
3	RKPMC	Mounting Rail Kit	1
4	P2PMCS15	Steel Partitoin w/ Visibility	1
5	HD-28NV2	3-Shelf Unit	1
6	TA1	4-Hook Bar	1



RAM ProMaster City

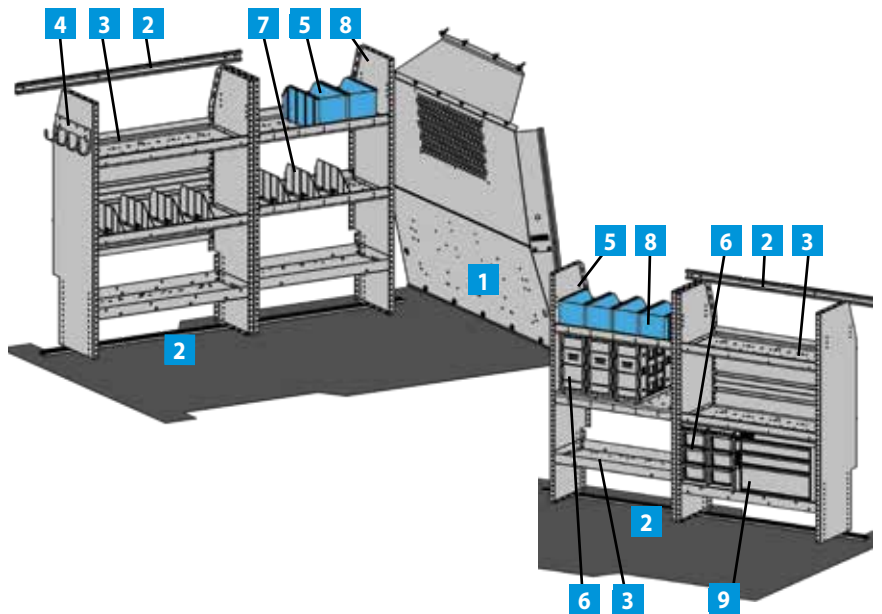
**5098PMC
SATELLITE INSTALLATION STARTER
PACKAGE
ProMaster City**

ITEM	MODEL	DESCRIPTION	QTY
1	P2PMCS15	Steel Partitoin w/ Visibility	1
2	RKPMC	Mounting Rail Kit	2
3	AD32PMC	3-Shelf Unit	2
4	DV14C8	14" Shelf Dividers	1
5	DK32TC	Door Kit	1
6	TA1	4-Hook Bar	1



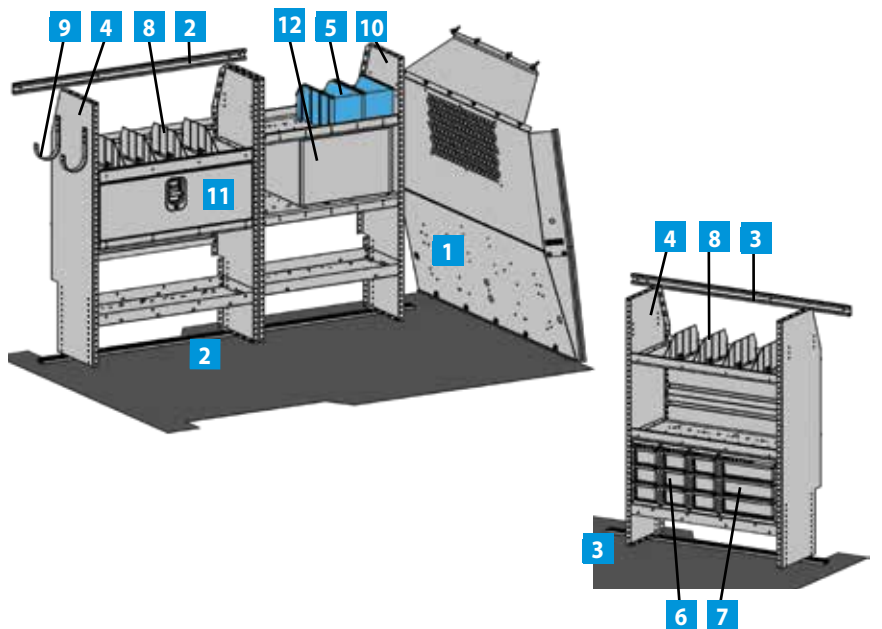
**5100PMC
GENERAL SERVICE STARTER PACKAGE
ProMaster City**

ITEM	MODEL	DESCRIPTION	QTY
1	P2PMCS15	Steel Partitoin w/ Visibility	1
2	RK72PMC	Mounting Rail Kit	2
3	AD32PMC	3-Shelf Unit	2
4	TA1	4-Hook Bar	1
5	SBIN060614	Snap In Bin	6
6	DC6	3-Drawer Unit	5
7	DV14C8	14" Shelf Dividers	1
8	AD28PMC	3-Shelf Unit	2
9	919	3-Drawer Unit w/ Lock	1



**5097PMC
SATELLITE INSTALLATION STARTER
PACKAGE
ProMaster City**

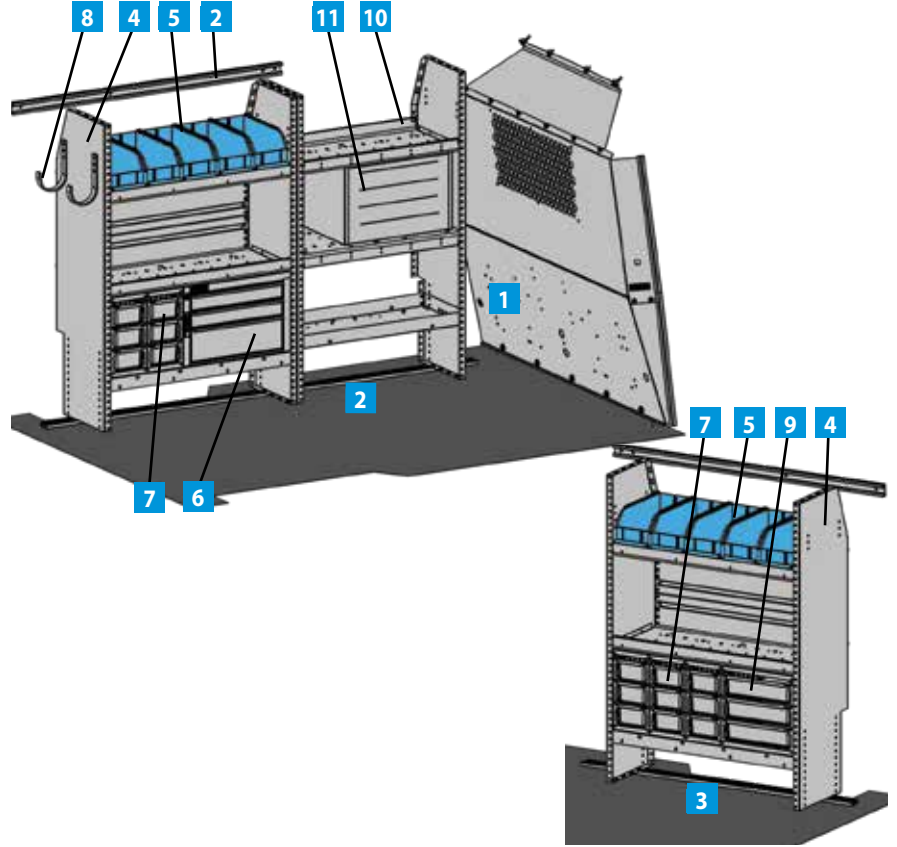
ITEM	MODEL	DESCRIPTION	QTY
1	P2PMCS15	Steel Partitoin w/ Visibility	1
2	RK72PMC	Mounting Rail Kit	1
3	RKPMC	Mounting Rail Kit	1
4	AD32PMC	3-Shelf Unit	2
5	SBIN060614	Snap In Bin	2
6	DC6	3-Drawer Unit	3
7	DC12	3-Drawer Unit	1
8	DV14C8	14" Shelf Dividers	1
9	UH50	Utility Hook	2
10	AD28PMC	3-Shelf Unit	1
11	DK32TC	Door Kit	1
12	19	2-Drawer Unit w/ Lock	1



RAM ProMaster City

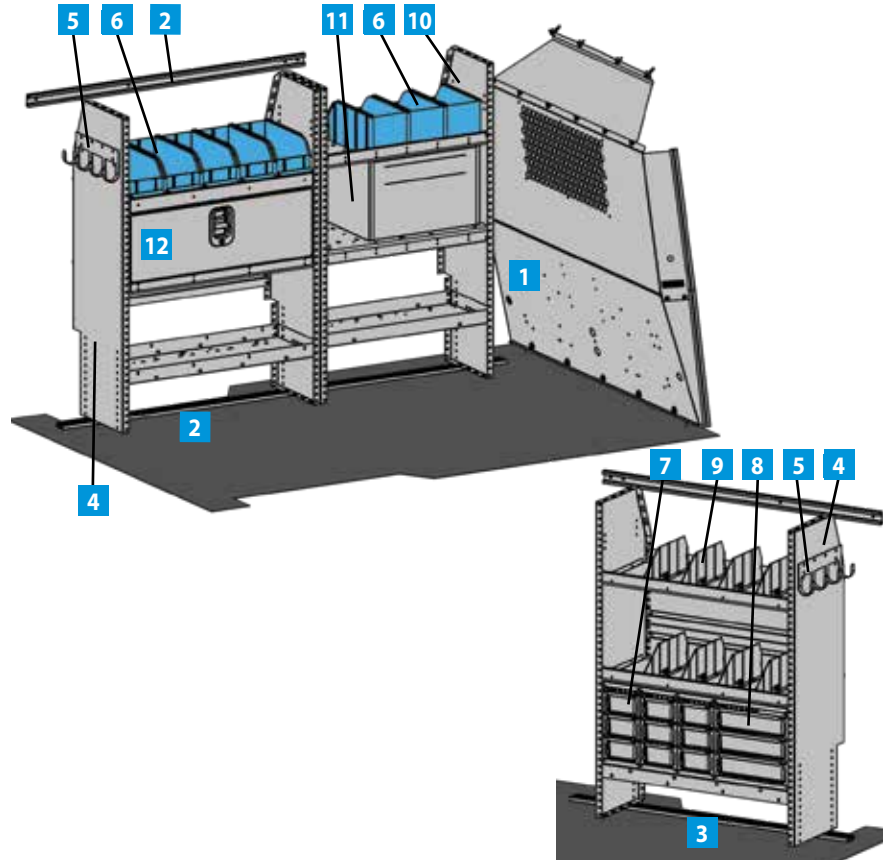
**5096PMC
PLUMBING STARTER PACKAGE
ProMaster City**

ITEM	MODEL	DESCRIPTION	QTY
1	P2PMCS15	Steel Partitoin w/ Visibility	1
2	RK72PMC	Mounting Rail Kit	1
3	RKPMC	Mounting Rail Kit	1
4	AD32PMC	3-Shelf Unit	2
5	SBIN060614	Snap In Bin	10
6	919	3-Drawer Unit w/ Lock	1
7	DC6	3-Drawer Unit	5
8	UH50	Utility Hook	2
9	DC12	3-Drawer Unit	1
10	AD28PMC	3-Shelf Unit	1
11	9	4-Drawer Unit w/ Lock	1
12	SRAILAD32	32" Bin Rail	2
13	BAGSRAIL	Fastener Bag	1



**5099PMC
ELECTRICAL STARTER PACKAGE
ProMaster City**

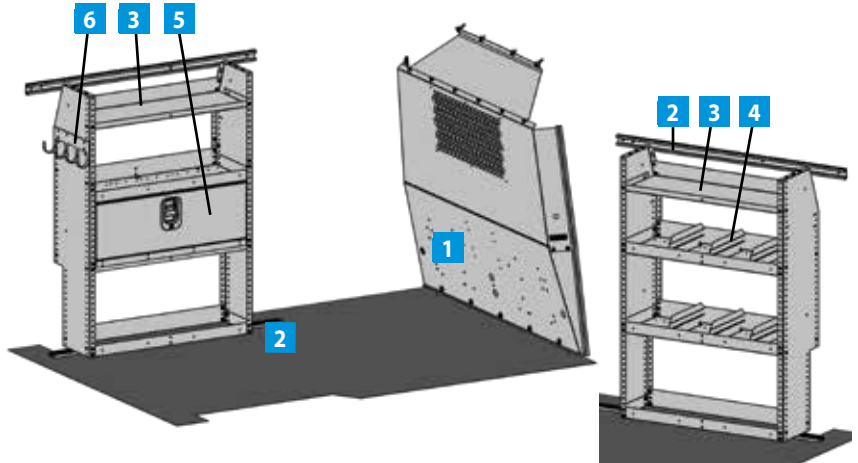
ITEM	MODEL	DESCRIPTION	QTY
1	P2PMCS15	Steel Partitoin w/ Visibility	1
2	RK72PMC	Mounting Rail Kit	1
3	RKPMC	Mounting Rail Kit	1
4	AD32PMC	3-Shelf Unit	2
5	TA1	4-Hook Bar	2
6	SBIN060614	Snap In Bin	8
7	DC6	3-Drawer Unit	3
8	DC12	3-Drawer Unit	1
9	DV14C8	14" Shelf Dividers	1
10	AD28PMC	3-Shelf Unit	1
11	919	3-Drawer Unit w/ Lock	1
12	DK32TC	Door Kit	1
13	SRAILAD32	32" Bin Rail	1
14	BAGSRAIL	Fastener Bag	1



RAM ProMaster City

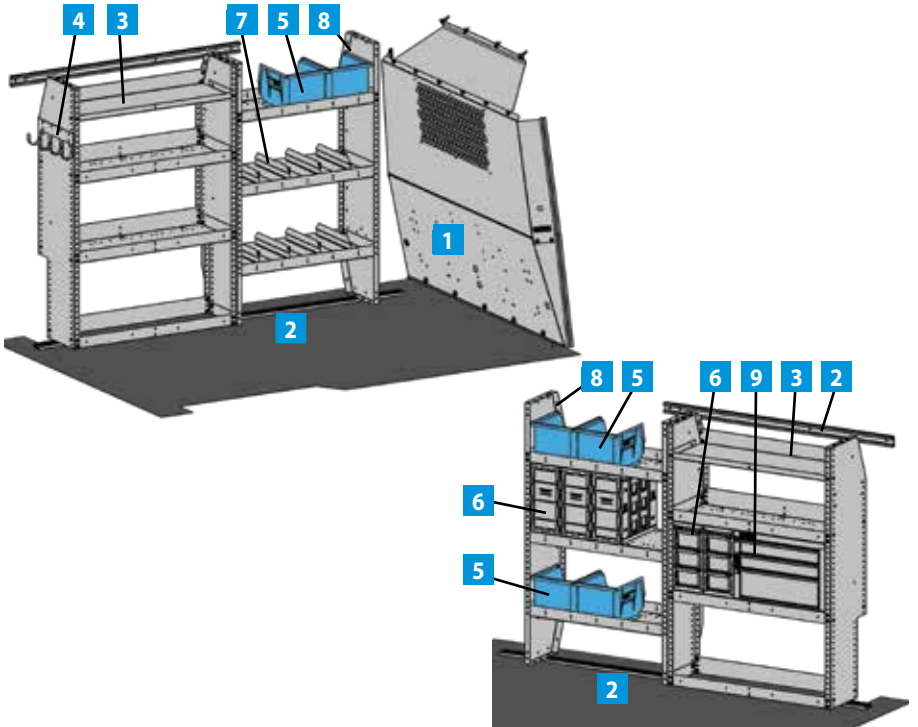
**5082PMC
COMMERCIAL STARTER PACKAGE
ProMaster City**

ITEM	MODEL	DESCRIPTION	QTY
1	P2PMCS15	Steel Partitoin w/ Visibility	1
2	RKPMC	Mounting Rail Kit	2
3	HD32TC	3-Shelf Unit	2
4	DV12	Shelf Divider	6
5	DK32TC	Door Kit	1
6	TA1	4-Hook Bar	1



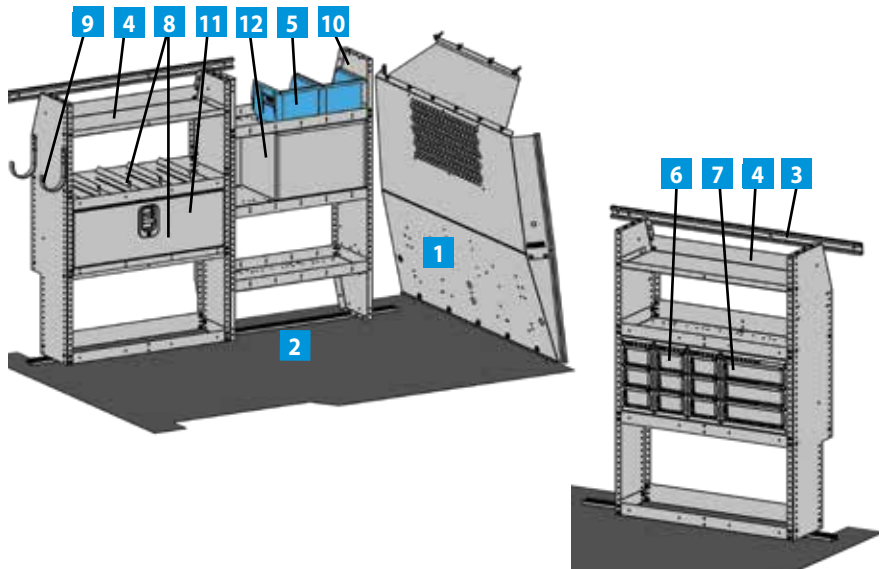
**5084PMC
GENERAL SERVICE STARTER PACKAGE
ProMaster City**

ITEM	MODEL	DESCRIPTION	QTY
1	P2PMCS15	Steel Partitoin w/ Visibility	1
2	RK72PMC	Mounting Rail Kit	2
3	HD32TC	3-Shelf Unit	2
4	TA1	4-Hook Bar	1
5	28	Parts Bin	6
6	DC6	3-Drawer Unit	5
7	DV12	Shelf Divider	8
8	HD-28NV2	3-Shelf Unit	2
9	919	3-Drawer Unit w/ Lock	1



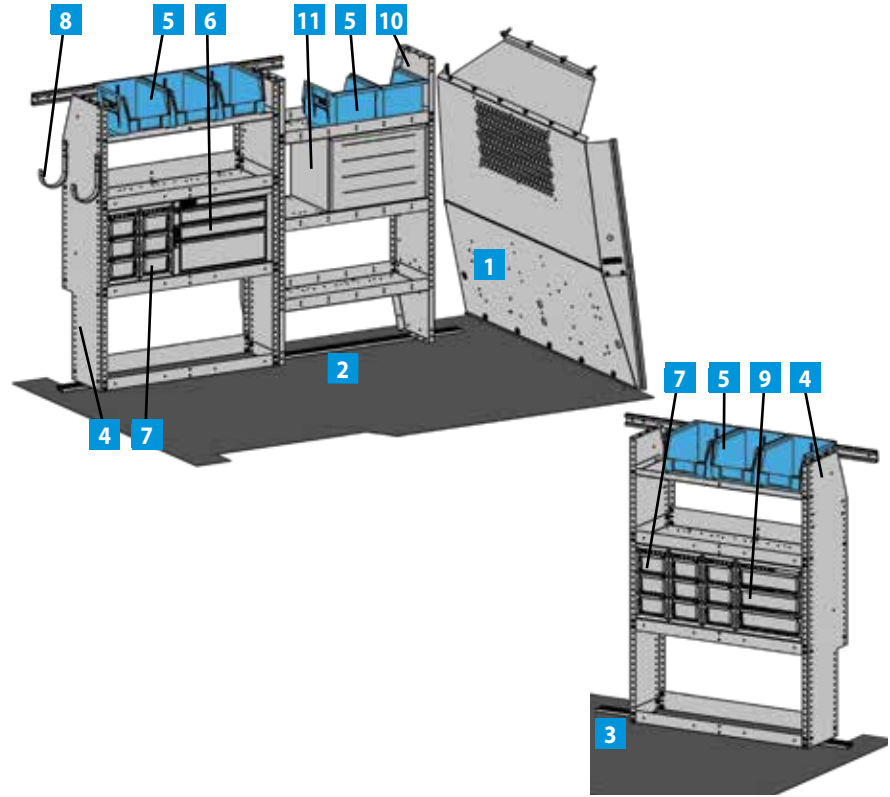
**5081PMC
SATELLITE INSTALLATION STARTER
PACKAGE
ProMaster City**

ITEM	MODEL	DESCRIPTION	QTY
1	P2PMCS15	Steel Partitoin w/ Visibility	1
2	RK72PMC	Mounting Rail Kit	1
3	RKPMC	Mounting Rail Kit	1
4	HD32TC	3-Shelf Unit	2
5	28	Parts Bin	2
6	DC6	3-Drawer Unit	3
7	DC12	3-Drawer Unit	1
8	DV12	Shelf Divider	8
9	UH50	Utility Hook	2
10	HD-28NV2	3-Shelf Unit	1
11	DK32TC	Door Kit	1
12	19	2-Drawer Unit w/ Lock	1



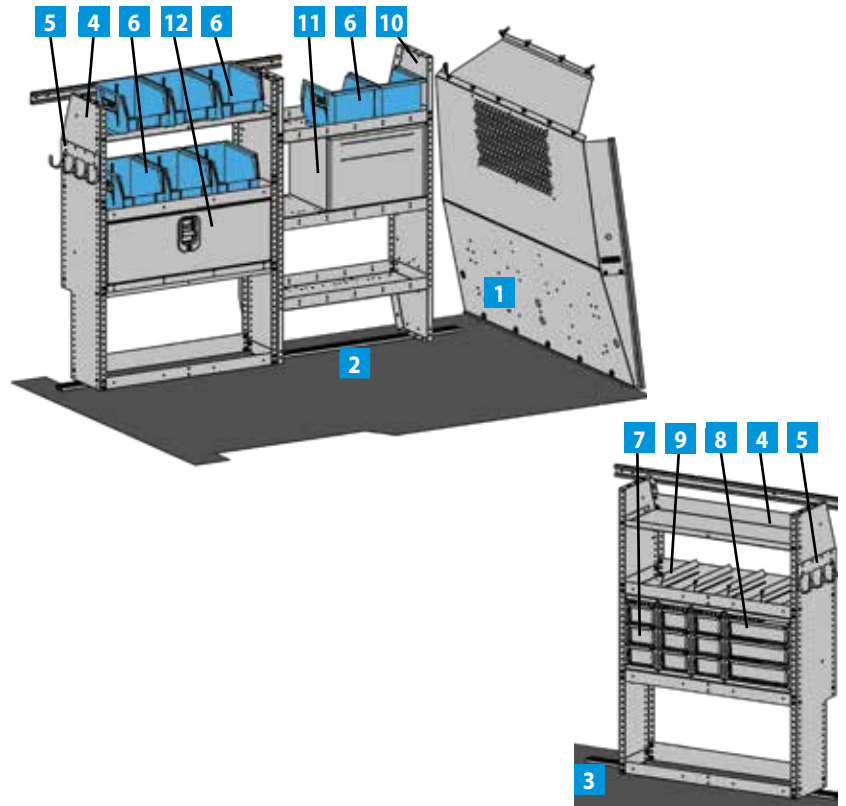
**5080PMC
PLUMBING STARTER PACKAGE
ProMaster City**

ITEM	MODEL	DESCRIPTION	QTY
1	P2PMCS15	Steel Partitoin w/ Visibility	1
2	RK72PMC	Mounting Rail Kit	1
3	RKPMC	Mounting Rail Kit	1
4	HD32TC	3-Shelf Unit	2
5	28	Parts Bin	8
6	919	3-Drawer Unit w/ Lock	1
7	DC6	3-Drawer Unit	5
8	UH50	Utility Hook	2
9	DC12	3-Drawer Unit	1
10	HD-28NV2	3-Shelf Unit	1
11	9	4-Drawer Unit w/ Lock	1



**5083PMC
ELECTRICAL STARTER
PACKAGE
ProMaster City**

ITEM	MODEL	DESCRIPTION	QTY
1	P2PMCS15	Steel Partitoin w/ Visibility	1
2	RK72PMC	Mounting Rail Kit	1
3	RKPMC	Mounting Rail Kit	1
4	HD32TC	3-Shelf Unit	2
5	TA1	4-Hook Bar	2
6	28	Parts Bin	8
7	DC6	3-Drawer Unit	3
8	DC12	3-Drawer Unit	1
9	DV12	Shelf Divider	4
10	HD-28NV2	3-Shelf Unit	1
11	919	3-Drawer Unit w/ Lock	1
12	DK32TC	Door Kit	1



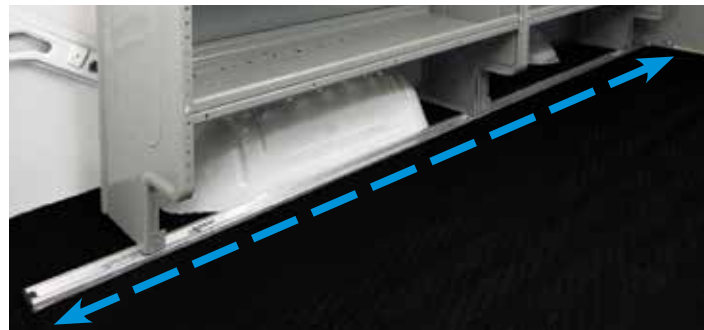
RAM ProMaster City

EXCLUSIVELY FROM ADRIAN STEEL: A SHELVING PLATFORM THAT ALLOWS YOU TO PUT SHELVES WHERE YOU WANT THEM, NOT WHERE WE THINK YOU NEED THEM!

ADseries is the next generation of cargo management solutions, engineered to optimize your work van storage and accessibility. Featuring truly ADjustable shelves, an ADaptable rail system, AND heavy-duty shelves designed to accommodate the diverse range of cargo you need to get the job done.

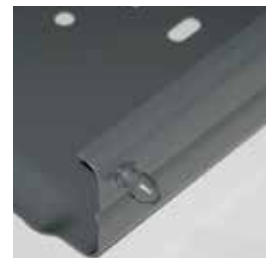


ADAPTABLE INTERIOR Everyone likes to set their work van up their own way. The new ADseries shelving lets you position the shelving where you need it. Exclusive to the ADseries, the unique rail system enables you to reposition the shelving in the van, increasing the available space for trade specific equipment. All of this is done without removing bolts, plugging holes and redrilling the van!



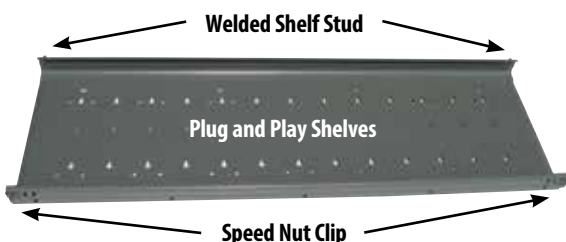
ADJUSTABLE SHELVES

Tools, equipment and cargo come in all shapes and sizes and until now, there hasn't been a shelving unit that is truly adjustable. The ADseries is the first of it's kind where, with only a screwdriver, you can simply remove the front shelf bolts and move the shelf where you need it. Shelves can be adjusted in one inch increments and provide the most flexible shelving solution available.



Truly Adjustable Shelves All you need is a phillips screwdriver! Simply remove two bolts from the speed nut clips that come with the shelf, tilt the shelf upwards, move the shelf to your desired location, insert the rear shelf studs, reattach the bolts and you're done!

Rear Shelf Studs unique design lock shelves in place!



ADD ACCESSORIES

Businesses change over time and your van interior should be able to change with your needs. Plug and Play shelves have prepunched holes that allow adding storage solutions easily! ADseries dividers simply snap in place, drawer units simply bolt in and door kits can be added to lock your more valuable parts and equipment. Many Adrian Steel accessories can be added to the ADseries shelving with the rail adapter kits and end panel brackets.

ADSERIES SHELF UNITS & RAIL KITS

MODEL	SIZE	DESCRIPTION
AD32FP	32"W x 46"H x 14"D	fits GM/Econoline/Transit LR
AD44FP	44"W x 46"H x 14"D	fits GM/Econoline/Transit LR
AD50FP	50"W x 46"H x 14"D	fits GM/Econoline/Transit LR
AD1226TC14	26"W x 44"H x 12"D	fits 14-on Transit Connect
AD1426TC14	26"W x 44"H x 14"D	fits 14-on Transit Connect
AD1232TC14	32"W x 44"H x 12"D	fits 14-on Transit Connect
AD1432TC14	32"W x 44"H x 14"D	fits 14-on Transit Connect
AD26LCV	26"W x 50"H x 14"D	fits Nissan NV Cargo
AD28NV2	28"W x 46"H x 14"D	fits NV200 / City Express
AD32FP	32"W x 46"H x 14"D	fits NV200 / City Express
AD32LCV	32"W x 50"H x 14"D	fits Nissan NV Cargo
AD44LCV	44"W x 50"H x 14"D	fits Nissan NV Cargo
AD50LCV	50"W x 50"H x 14"D	fits Nissan NV Cargo
HAD3259	32"W x 59"H x 14"D	fits ProMaster, std. & high roof
HAD4459	44"W x 59"H x 14"D	fits ProMaster, std. & high roof
HAD5059	50"W x 59"H x 14"D	fits ProMaster, std. & high roof
AD28PMC	28"W x 46"H x 14"D	fits ProMaster City
AD32PMC	32"W x 46"H x 14"D	fits ProMaster City
RKFSVLHD	Mounting Rail Kit	fits GM LHD
RKFSVLWB	Mounting Rail Kit	fits GM LWB
RKFSVXLWB	Mounting Rail Kit	fits GM XLWB
RKFSVFD	Mounting Rail Kit	fits Econoline LWB
RKFSVXLFD	Mounting Rail Kit	fits Econoline XLWB
RK130FTS	130"WB Rail Kit,	Mounting Rail Kit
RK148FTS	148"WB Rail Kit	Mounting Rail Kit
RK130FTM	130"WB Rail Kit	Mounting Rail Kit
RK148FTM	148"WB Rail Kit	Mounting Rail Kit
RK148FTHE	148"WB Rail Kit	Mounting Rail Kit
RKTC14	Mounting Rail Kit	fits 14-on Tr. Connect SWB, LWB
RKDTC14	Mounting Rail Kit	fits 14-on Tr. Connect LWB
RKLCV	Mounting Rail Kit	fits Nissan NV Cargo
RK67NV2-CS	Rail Kit-curb side	Passenger Side Mounting Rail Kit
RK67NV2-SS	Driver Side Mounting Rail Kit	fits NV200 / City Express
RKNV2-CS	Passenger Side Mounting Plate Kit	fits NV200 / City Express
RKNV2-SS	Driver Side Mounting Plate Kit	fits NV200 / City Express
RKPSWB	118"WB Rail Kit	ProMaster curb or streetside
RKPMWB	Mounting Rail Kit	ProMaster curb or streetside
RKPLWB	Mounting Rail Kit	ProMaster curb or streetside
RKPMXLWB	Mounting Rail Kit	ProMaster curb or streetside
RKPMC	Short Rail Kit	fits ProMaster City
RK72PMC	Mounting Rail Kit	fits ProMaster City

Note: Rails are not included with the shelf units. Rail kits must be ordered separately.

Note: Shelves have the following weight ratings:

- Shelves positioned with the shelf lip facing up have a rating of 100 lbs. per shelf evenly distributed.
- Shelves positioned with the shelf lip facing down have a rating of 200 lbs. per shelf evenly distributed.



ADSERIES ACCESSORIES

MODEL	SIZE/DESCRIPTION
DV14C1	Shelf Divider
DV14C8	14" Shelf Dividers
DV12	Shelf Divider
DV14	Shelf Divider
DK26TC	Door Kit
DK32TC	Door Kit
DK3008	Door Kit
DK3010	Door Kit
DK4208	Door Kit w/ Open Back
DK4210	Door Kit w/ Open Back
DK4808	Door Kit
DK4810	Door Kit
BRK14EPS	End Panel Mounting Bracket
RKA1	Rail Kit Adapter
RKA3	Rail Kit Adapter3/See list at right
RKA4	Rail Kit Adapter4/See list at right
RKABRK1	Single Adapter Bracket for Rail Kit
RKABRK2	Double Adapter Brackets for End Panel
RKAWTR	Welded Tank Rack Rail Adapter
RKA919	Drawer Riser Kit
35325-G	32" Long Shelf
35327-G	44" Long Shelf
35328-G	50" Long Shelf

RKA1 – Rail Kit Adapter
Use with: CB2, CB3, CB4 (uses 2)

RKA3 – Rail Adapter Kit3
Use with: #1, #12, #2, #8, DC Units, 17A, CRH2, TA19, TA5

RKA4 – Rail Adapter Kit4
Use with: CL1446D/R, #40, KDRH2, KD Shelving Units, #33, #3, #33W, JD Shelving

BRK14EPS – End Panel Mounting Bracket.
Use with: 17A, CB5, 43, TA19, TA20, WRH5, UH10/25/50, PA9, PA8, ACT3/4, PA11, AGSCH2, PA7, TH30, TH50, TA5

RKABRK1 – Used with TA19, TA20, TA5

The **HAD shelving units** feature two ADseries adjustable shelves in the center of the shelf unit. These two shelves feature a 2" lip and, with only a screwdriver, can be adjusted up or down on one inch increments. Fits: RAM ProMaster, Ford Transit-Mid & High Roof



MODEL	OVERALL SIZE
HAD3259	32" x 59" x 14"
HAD4459	44" x 59" x 14"
HAD5059	50" x 59" x 14"

HAD5059
shown with
optional TA1
4-Hook Bar

HD Series Shelving for full size vans feature KD adjustable shelves. The top and bottom shelf feature a 2" lip, the center two shelves feature a 4" lip. Each shelf can be adjusted up or down on one inch increments.



HD-28NV2

The top and bottom shelf feature a 2" lip, the center shelf features a 4" lip. Each shelf can be adjusted up or down on one inch increments. The contoured end panels allow the shelf to sit closer to the van wall.

DV12 Shelf Dividers are available.

Fits City Express, NV200, RAM ProMaster City.



HD32TC

All shelves are adjustable on one inch increments and feature a one inch lip.

DV12 Shelf Dividers are available.

Fits RAM ProMaster City.



HD4459 in a Mid Roof Ford Transit.
Shown with accessories.



HD4459 in a RAM ProMaster.

MODEL	OVERALL SIZE	DESCRIPTION
HD3259	32"W x 59"H x 14"D	Fits ProMaster, Transit Mid & High roof
HD4459	44"W x 59"H x 14"D	Fits ProMaster, Transit Mid & High roof
HD5059	50"W x 59"H x 14"D	Fits ProMaster, Transit Mid & High roof
HD32NVH	32"W x 60"H x 14"D	Fits NV Cargo High roof
HD42NVH	42"W x 60"H x 14"D	Fits NV Cargo High roof
HD52NVH	52"W x 60"H x 14"D	Fits NV Cargo High roof
HD32TC	32"W x 46"H x 12"D	fits ProMaster City
HD-28NV2	28"W x 46"H x 12"D	fits ProMaster City, City Express, NV200

WELDED SHELVING FOR FULL SIZE VANS

The 44 Series Welded Shelving feature welded shelves, back panels and end panels. These fully welded shelf units allow for greater weight capacity and reduce cargo noise. Configure your van to your specific needs with drawer units, dividers and removable bins to customize your setup.



MODEL	DESCRIPTION
4432	Welded 3-Shelf Unit
4442	Welded 3-Shelf Unit
4450	Welded 3-Shelf Unit



Contoured top and bottom steel end panels maximize aisle space.

ACCESSORIES FOR WELDED SHELVING

Upgrade the 44 Series with Dividers, DC Drawer Units, Lock & Latch drawer units, Door Kits and our popular #28 Parts Bin!



Plug & Play units – add accessories in minutes!



ACCESSORIES

MODEL	DESCRIPTION
DV44U1	Top shelf divider (single)
DV44U4	Top shelf divider kit (4 pack)
DV44U	Top shelf divider kit (8 pack)
DV44L1	Lower shelf divider (single)
DV44L4	Lower Shelf Divider Kit (4 pack)
DK532	Door Kit w/ Back Panel
DK544	Door Kit
DK550	Door Kit
28	Parts Bin

DRAWER COMPONENT SHELVES

- Create customized shelving modules with drawer component shelves.
- Built to bolt onto the DC6 and DC12, these shelves can provide additional storage space.
- The shelves are available in 18", 24" and 36" wide configurations
- Feature a 1" shelf lip.

MODEL	DESCRIPTION	SHELF SIZE
SF11218DC	Shelf for DC Drawer Units 12"d x 18"w	12"D x 18"W
SF11224DC	Shelf for DC Drawer Units 12"d x 24"w	12"D x 24"W
SF11236DC	Shelf for DC Drawer Units 12"d x 36"w	12"D x 36"W



SPECIFIC JOBS DEMAND SPECIFIC STORAGE SOLUTIONS.

Cabinet and Drawer Modules provide secure storage for large and small tools and parts. The modular design allows you to get what you need now and the ability to add more when you need it. Whatever the job demands, Adrian has the storage solutions to transport your gear safely and securely.



Vented gas storage solutions

TANK CABINETS

- Provide vented storage for Propane, Mapp gas or CO2 tanks.
- Cabinets feature a full door gasket with two snap latches for positive door closure.
- Interior cabinet cradle and retaining straps (foam yokes for TA19) secure tanks and prevent movement.
- Floor vent and tubing are included for exhausting fumes.
- Propane cabinets store 20, 30 or 40 lb. tanks.
- Mapp Gas Cabinets store 6 1/2" diameter tanks.
- CO2 Tank Cabinets store 20 lb. cylinders.

MODEL	DESCRIPTION	CABINET SIZE
TA18	Compressed Gas Tank Cabinet	14-3/4"W x 36"H x 13"D
TA19	Compressed Gas Tank Cabinet	13"W x 32"H x 12-1/2"D
TA20	Mapp Gas Cabinet	14"W x 26"H x 8"D

SHELF CABINETS

- Available in 12" and 18" front to rear lengths
- Can be used free standing or stacked with our lockable drawer units.
- Feature locking recessed tee-handles for secure storage and receive a durable gray powder coat finish.
- Cabinets feature an open side and can be combined for side-by-side use holding items up to 35" long.
- Optional end panel can be added to close off side when required.
- Include an adjustable shelf that can be removed
- Cabinets provide a solid surface to stack modular drawers, cabinets and bins.



Folding T handles don't stick out into aisles.

MODEL	DESCRIPTION	CABINET SIZE
1	Adjustable Single Shelf Cabinet w/Lock	18"W x 22"H x 18"L
12	Adjustable Single Shelf Cabinet w/Lock	18"W x 22"H x 12"L
1A	Cabinet Shelf	No. 1
12A	Cabinet End Panel	No.12



40 WHEEL WELL COVER CABINET

- Wheel well cover cabinets are designed with an open back and bottom.
- Serves as an enclosure for rear wheel wells.
- Provides a solid surface to stack modular drawers, cabinets and bins.
- Cabinets come with locking recessed tee-handles for secure storage.
- Finished with a durable gray powder coat finish.
- Cabinet size 42"W x 12.5"H x 14"L



CABINET LOCKERS

- Full-door Lockers feature a 46" high storage space with 3 removable shelves.
- Short-door Lockers feature a 33" high storage area and with 2 removable shelves.
- Locker doors are reversible for flexibility and feature locked recessed T-handles for security.
- Cabinet Lockers taper from 14" to 12" from front to back in depth at top and bottom to maximize aisle space.

MODEL	DESCRIPTION	CABINET SIZE
CL1446R	Adjustable 3-Shelf Cabinet w/ Lock	18"W x 46"H x 14"D
CL1446D	Adjustable 3-Shelf Cabinet w/ Lock	18"W x 46"H x 14"D



2.5" deep drawers come with ABS divided and removable trays perfect for small parts.

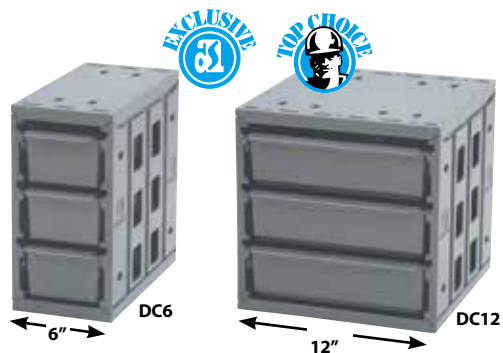


DRAWER UNITS – LOCK 'N LATCH SYSTEM

- Our exclusive Lock 'n Latch system provides a choice of drawers open, drawers retained or drawers locked position.
- Drawers are made of an engineered composite material for durability with heavy-duty drawer glides for support and smoother drawer operation.
- The new drawer glides significantly increase the ease of use when opening and closing the drawer units. They all but eliminate the rattle noise of the drawers when the driving the vehicle.
- Drawers and glides can be repositioned within cabinet for increased flexibility.
- Divide 5" deep drawers into compartments using optional metal "egg crate" dividers.

MODEL	DESCRIPTION	DRAWER SIZE (QTY.)
19	2-Drawer Unit w/ Lock	16"W x 5"D x 11-1/2"L (2)
919	3-Drawer Unit w/ Lock	16"W x 2-1/2"D x 11-1/2"L (2) 16"W x 5"D x 11-1/2"L (1)
9	4-Drawer Unit w/ Lock	16"W x 2-1/2"D x 11-1/2"L (4)
27	Drawer Divider Assembly	19 or 919 Drawer (1)

Steel outer cabinet measures 18"W x 12"H x 12"L.



DRAWER COMPONENTS

- Organize small parts with our flexible and rugged composite Drawer Components.
- Drawer retention stops prevent drawers from opening while the vehicle is in transit.
- Made of a hi-impact polymer for a quiet operation.
- Each drawer comes with 2 dividers and 7 divider slots.
- Interlocking feature allows up to 2 units stacked vertically or multiple units horizontally.
- Choose from Adrian Steel's pre-configured drawer systems or create your own drawer system from the base models.

MODEL	DESCRIPTION	OVERALL SIZE
DC6	3-Drawer Unit	6"W x 12"H x 12"D
DC12	3-Drawer Unit	12"W x 12"H x 12"D
DS06212V	6-Drawer Unit	12"W x 24"H x 12"D
DS36012H	9-Drawer Unit	18"W x 12"H x 12"D
DS46012	12-Drawer Unit	12"W x 24"H x 12"D

5lb. weight capacity per drawer.



#2 Cabinet Size
18"W x 24"H x 18"L

#8 Cabinet Size
18"W x 18"H x 12"L

DRAWER UNITS – LOCKING HINGE AND HASP

- Drawers are welded and have reinforced drawer slides for strength.
- Can be locked with a padlock (not included) for security.
- Divide drawers with optional metal "egg crate" dividers.

MODEL	DESCRIPTION	DRAWER SIZE (QTY.)
8	3-Drawer Unit	16"W x 5"D x 11-1/2"L (3)
2	4-Drawer Unit	16"W x 5"D x 17-1/2"L (4)
25	Drawer Divider Assembly	No. 2 Drawer (1)
26	Drawer Divider Assembly	No. 8 Drawer (1)

STORAGE MODULES ARE USEFUL COMBINATIONS OF SHELVING AND STORAGE.

When you need a variety of parts and tools to do the job, it is essential that you have them organized and easily accessible. Offering a variety of storage and workbench combinations, Adrian Steel Modules are the key to efficiency when working out of your van.



MD507 SHELF AND DRAWER MODULE

MD507 INCLUDES:

9	4-Drawer Unit w/ Lock
18	Welded 3-Shelf Unit w/ Dividers
19	Two Drawer Medium
40	Wheelwell Bin w/ Lock
43	3-Shelf Literature Rack

42"W x 46.5"H x 14"D



MD506 SHELF AND DRAWER MODULE

MD506 INCLUDES:

9	4-Drawer Unit w/ Lock
12	Adjustable Single Shelf Cabinet w/Lock (2)
19	2-Drawer Unit w/ Lock
40	Wheelwell Bin w/ Lock
43	3-Shelf Literature Rack

42"W x 46.5"H x 14"D

MD534 CABINET AND DRAWER MODULE

MD534 INCLUDES:

9	4-Drawer Unit w/ Lock
12	Adjustable Single Shelf Cabinet w/Lock (2)
19	Two Drawer Medium
33WB	Welded 4-Shelf Unit w/ Bins
40	Wheelwell Bin w/ Lock
43	3-Shelf Literature Rack

52"W x 46.5"H x 14"D



MD508 WORKBENCH MODULE

MD508 INCLUDES:

9	4-Drawer Unit w/ Lock
19	2-Drawer Unit w/ Lock
40	Wheelwell Bin w/ Lock
54	Workbench Top

42"W x 26"H x 14/18"D



MD509 WORKBENCH MODULE

MD509 INCLUDES:

8	3-Drawer Unit (2)
40	Wheelwell Bin w/ Lock
54	Workbench Top
CB2	2-Book File

42"W x 31"H x 14/18"D



WORKBENCH MODULE FOR LOW, MEDIUM & HIGH ROOF

The MD608 Workbench Module features 84" of work top surface perfect for any mobile workshop. Shown with optional 17A 6-Shelf Catalog File and floor Rail Kit.

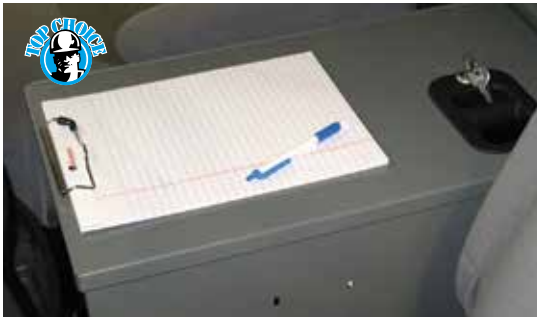
MD608 INCLUDES:

KMB36	Key Machine Base
54	Workbench Top (2)
9	4-Drawer Unit w/ Lock (2)
19	2-Drawer Unit w/ Lock (2)
40	Wheelwell Bin w/ Lock
14	Step Stool

Storage Modules are designed to fit over wheelwells of GM full size vans.

Visit AdrianSteel.com to see more Storage Modules.

KEEP WORK ORDERS AND INVOICES ORGANIZED AND SECURE WITH ADRIAN'S STORAGE FILES.



Center Console

- Designed to mount between the front seats.
- Rugged steel construction with a hinged worktop and key locking paddle handle.
- Convenient lid mounted clip holds papers in place on the writing surface.

CCD12 12.2" X 22.4" X 18.4"

CCD10 10.2" X 22.4" X 18.4"

CCD6 6.65" X 22.4" X 18.4"

CCDLTH Center Console Laptop Holder

CCDHF12 Center Console Hanging File

Tech Desk Console

- Designed to mount between the front seats.
- 2 USB Ports.
- Non-Slip lid tray to keep items from falling of during transit.
- Internal Organization.
- Lockable Lid.
- Interior LED lights.

TDC12 12.2" X 22.4" X 18.4"

TDC10 10.2" X 22.4" X 18.4"

TDC6 6.65" X 22.4" X 18.4"

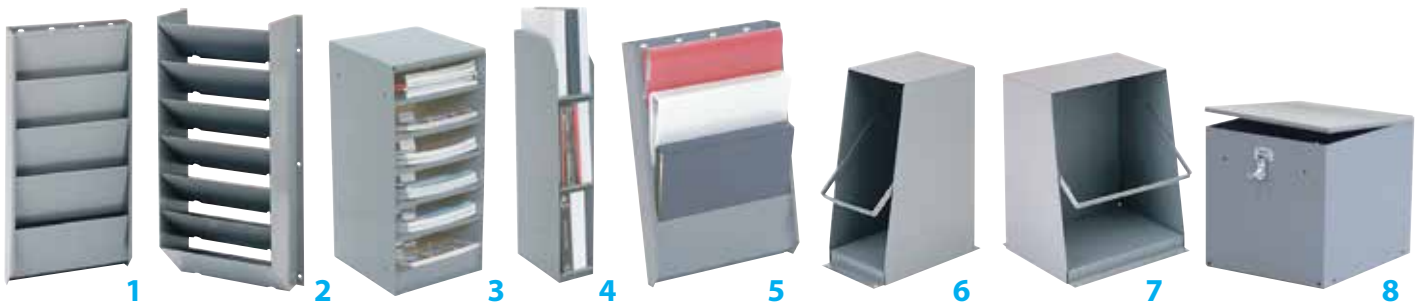
Aluminum Lock Box

- Stores valuable tools and paperwork.
- Gas shock safely opens and closes the large lid.
- The large lock will accommodate a padlock or hockey puck style lock (not included.)
- Designed to mount on the van floor facing out the side or rear doors.
- Aluminum construction with powder coat black paint.



LKB1 Lock Box
20" W, 14.5" H, 25" D

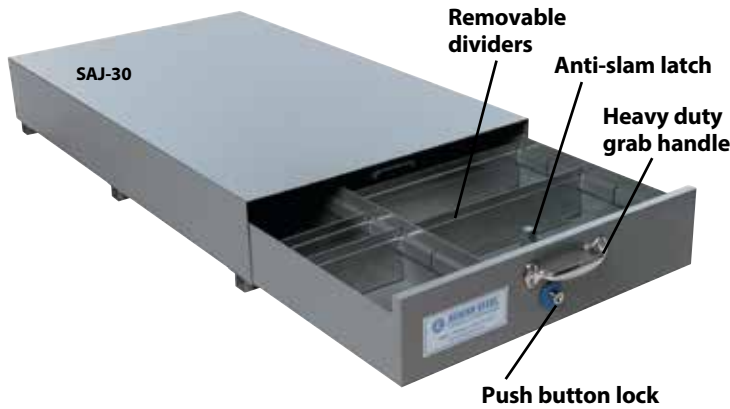
Literature Files



- 1: CB5 5-Slot Literature Rack** Mount on partition or other vertical surface. 2-1/2" deep pockets. Overall size: 12"W, 24"H, 2-1/2"D.
- 2: CB7 7-Slot Literature Rack** Mount on partition or other vertical surface. 6-3/4" deep pockets. Overall size: 14-3/4"W, 28-7/8"H, 7"D.
- 3: 17A 6-Shelf Catalog File** Designed for catalogs but also serves to store a variety of materials between the 3" shelf spacings. Overall size: 11"W, 24"H, 12"D.
- 4: 43 3-Shelf Literature Rack** Fits in narrow spaces. It has three tilted shelves. Perfect for binders and catalogs. Overall size: 6" W, 34" H, 12" D.

- 5: BH4 4-Slot Literature Rack** Designed to mount on partition or almost any vertical surface. Excellent for binders. Each pocket is 2 1/2" deep. Overall size: 12-3/4" W, 19-1/2" H, 2-1/2" D.
- 6: CB2 2-Book File** Mounts on the floor between front seats and partition. Holds folders 12"H x 10-1/2"D. Overall size: 6"W, 14"H, 12"D.
- 7: CB3 3-Book File** Mounts on cabinet tops or on the floor. Multiple units can be flush-mounted. Holds folders 12"H x 10-1/2"D. Overall size: 10-3/4"W, 14"H, 12"D.
- 8: CB4 Utility Box** Stores a variety of printed material. Also suitable for keeping tools, safety glasses, gloves and other items. Hinged lid. Overall size: 12"W, 12"H, 14"D.

ADRIAN'S FLOOR DRAWER IS THE FINEST FLOOR STORAGE UNIT YOU CAN BUY.



- 14 Gauge steel outer cabinets are constructed with top channel cross support members for strength and rigidity.
- Drawers are constructed with double sidewalls to prevent bowing and to accommodate items up to 48" in length.
- The anti-slam latch stops drawers from completely closing without positive latch activation.
- Heavy-duty grab handle and push button lock allows for comfortable, one-handed drawer operation.
- Durable powder coat finish will provide years of rugged service.
- Easy glide drawers with full width recessed conveyor roller at front and hardened steel roller bearings at rear.
- Install at rear or side doors, and units can be stacked.



SA-10



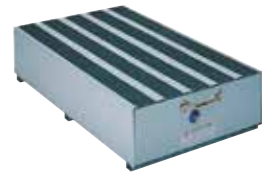
SA-20



SA-40

FLOOR DRAWER DEEP SERIES

MODEL	DESCRIPTION	CABINET SIZE	DRAWER SIZE	FLOOR DRAWER TRACTION KIT	DIVIDER (QTY.)
SA-10	Single Compartment Floor Drawer	10"W x 12"H x 51-1/2"D	9-5/8"W x 8-1/2"H x 48-1/2"D	TK10	DV9(5)
SA-20	Single Compartment Floor Drawer	20"W x 12"H x 51-1/2"D	19-5/8"W x 8-1/2"H x 48-1/2"D	TK20	DV19(5)
SA-40	Triple Compartment Floor Drawer	40"W x 12"H x 51-1/2"D	9-5/8"W x 8-1/2"H x 48-1/2"D (2) 19-5/8"W x 8-1/2"H x 48-1/2"D	TK40	DV9(10) DV19(5)



Floor Drawer Traction Kits are available to provide a positive friction surface for better footing. Traction Kits are 4" wide, self-adhesive strips.



SAJ-10



SAJ-20



SAJ-30



SAJ-40

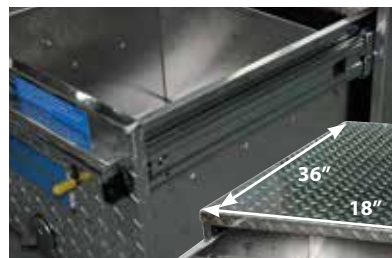
FLOORDRAWER SHALLOW SERIES Floor Drawer quality in a lower profile

MODEL	DESCRIPTION	CABINET SIZE	DRAWER SIZE	FLOOR DRAWER TRACTION KIT	DIVIDER (QTY.)
SAJ-10	Single Compartment Floor Drawer	10"W x 8-1/2"H x 51-1/2"D	9-5/8"W x 5-1/4"H x 48-1/2"D	TK10	DVJ9(5)
SAJ-20	Single Compartment Floor Drawer	20"W x 8-1/2"H x 51-1/2"D	19-5/8"W x 5-1/4"H x 48-1/2"D	TK20	DVJ19(5)
SAJ-30	Double Compartment Floor Drawer	30"W x 8-1/2"H x 51-1/2"D	9-5/8"W x 5-1/4"H x 48-1/2"D 19-5/8"W x 5-1/4"H x 48-1/2"D	TK30	DVJ9(5)
SAJ-40	Triple Compartment Floor Drawer	40"W x 8-1/2"H x 51-1/2"D	9-5/8"W x 5-1/4"H x 48-1/2"D (2)	TK40	DVJ9(10)

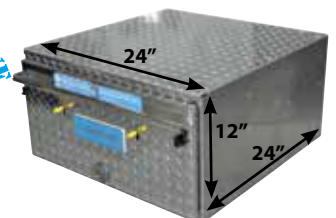
Additional Dividers are available and are sold individually.

FLOOR DRAWERS

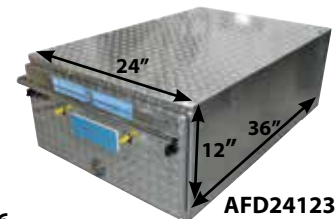
- Adrian Steel exclusive Anti-Slam latch keeps drawer from closing without positive latch activation. The only aluminum drawer in the industry with this feature!
- An automotive grade lock keeps expensive cargo secure and the adjustable divider helps keep contents segmented.
- The integral latch keeps the drawer open when you are on an incline and closed when you're done!
- Heavy duty grab handles and ball bearing slides allow the drawer to open and close with ease.
- Can be stacked to utilize large cubic storage areas.
- 24" deep units have a weight capacity of 350 lbs. and the 36" deep have a 325 lb. weight capacity.



AFD181236
weight 52lbs.



AFD241224
weight 46lbs.



AFD241236
weight 60lbs.

ADRIAN'S BLUE BIN SYSTEM IS PERFECT FOR VISUAL INVENTORY MANAGEMENT.

- 6" and 12" bins maximize the ADseries shelf space.
- The innovative rail system locks the bins in place on the shelf.
- The bins can nest on top of each other when at the job site or in the warehouse getting filled to go.
- Add a label to the front so you can find parts quickly
- Each bin can accommodate one optional divider.

Order our predefined bin systems or create your own configuration of bins. Please note that the bins and the rail are a system. To obtain all the features listed above, both must be ordered.



SBIN120614



SBIN060614



BR36212 Bin Set for Adjustable Shelving

Bins lock into place along the rail for secure transport.

MODEL	DESCRIPTION
SBIN060614	Snap In Bin
SBIN120614	Snap In Bin
SBINDIV	Snap In Bin Divider
BR36212	Bin Set for Adjustable Shelving
BR76012	Bin Set for Adjustable Shelving
SRAILAD26	26" Bin Rail
SRAILAD32	32" Bin Rail
SRAILAD44	44" Bin Rail
SRAILAD50	50" Bin Rail

PROTECT YOUR VAN AND CARGO WITH ADRIAN STEEL FLOOR MATS.



Commercial grade

Reduce floor wear, cargo shift and interior noise.

Floor Mats are die-cut for wheelwells and meet flammability test MVSS 302. Made of 3/16" rubber, diamond corrugated pattern. Side stepwell and seat pedestals require some trimming.

- 88-2 Workmat
- 88-9 Workmat Kit
- 88-12 Workmat
- 88-118PM Workmat Kit
- 88-136PM Workmat Kit
- 88-159PM Workmat Kit
- 88-159EXPM Workmat Kit

SAFELY TRANSPORT REFRIGERANT TANKS IN AN ADRIAN STEEL TANK RACK.



Vertically carry 30-lb. and 50-lb. refrigerant tanks securely in your van. Tank Racks can be installed for easy access from the side or rear van doors. Racks feature 14-gauge tubular steel frames welded for strength with sloped cradles and nylon straps. The optional **WTRTRAY** provides a storage area mounted on top of the welded tank racks.* The tray can be mounted to any size tubular tank rack.

MODEL	DESCRIPTION
WTR130250	(1) 30 lb & (2) 50 lb tanks
WTR230150	(2) 30 lb & (1) 50 lb tanks
WTR330	(3) 30 lb tanks
WTR350	(3) 50 lb tanks
WTR430	(4) 30 lb tanks
WTRTRAY	Welded Tank Rack Shelf Kit



*Please confirm the location of the tank rack and tray, some interior locations will not accommodate the tray due to the contour of the vehicle.



1



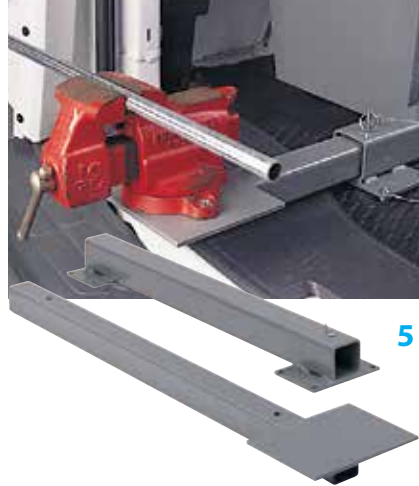
2



3



4



5



6

1: DST21 Door Storage Tray offers convenient access to parts and tools.

Overall size: 20" W, 4" D, 8" H

2: Aerosol Can Tray secure cans for easy access.

ACT3 - 3-Place Aerosol Can Holder

ACT4 - 4-Place Aerosol Can Holder

3: 14 Step Stool has a wide base and is 12" high. Stool can be used with a workbench or as an auxiliary step. Top measures 10" x 20" One size.

4: TA2 Hard Hat Holder secures hat to partition or shelving.

5: VMA36 Vise Mount Assembly is floor mounted and telescopes out beyond side or rear cargo doors when fully opened. Measures 36" closed and 60" open.

6: Touch-Up Paint in spray cans match Steel-Cote™ finish. Three colors:

STP12G - Gray **STP12W** - White **STP12B** - Black

7: Door Tray comes with two dividers and has optional lid for containment.

DT21 - Door Tray Overall size: 18" W, 4" D, 4" H

DTL21 - Door Tray Lid for DT21 only

DTWL21 - Door Tray w/ Latching Lid

8: Hooks organize a variety of cargo in easy-to-access locations.

UH10 - Utility Hook

UH25 - Utility Hook

UH50 - Utility Hook

TA1 - 4-hook bar

9: Parts Tray features a 2" deep shelf lip. Can be mounted to cabinet and drawer modules for added top storage.

4A - Parts Tray Overall size: 36" W, 12" D, 2" H

4B - Parts Tray Overall size: 18" W, 12" D, 2" H



Storage for small parts 7



8



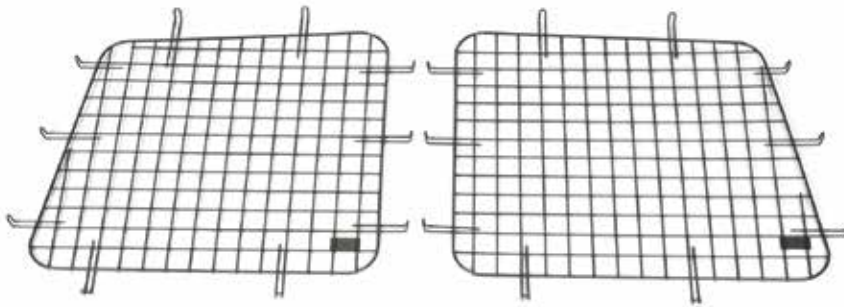
9

REEL HOLDERS



- 1: CRH2 Cable Reel Holder** features a durable frame, two steel shafts that holds up to a 15-1/2" diameter reel by 14" wide. Overall size: 19-1/8" W, 16" D, 44-7/8" H
- 2: KDRH2 2-Bar Wire Reel Holder** holds large spools up to 16" wide and 18" in diameter. Spools nest on conveyor rollers. Includes tie-down chains with neoprene covers. Overall size: 18" W, 46" H, 18" D
- 3: WRH5 5-Bar Spool Holder** Five removable bars hold wire spools up to 6" in diameter. Reel Holder mounts to shelf ends or any vertical surface. Overall size: 12" W, 25" H, 4" D
- 4: End Panel Reel Holder Bar** mounts between **ADseries** shelf end panels for easy access to spools of cable and wire.
KDRH1426 - Wire Reel Holder
KDRH1432 - Wire Reel Holder
KDRH1444 - Wire Reel Holder
KDRH1450 - Wire Reel Holder

WIRE WINDOW SCREENS



- 60-25 & 60-26** Passenger Side Sliding Door Security Screen
- 60-21 & 60-22** Passenger Side Hinged Door Security Screen
- 60-23 & 60-24** Driver & Passenger Side Rear Door Security Screen
- 60-14** Passenger Side Sliding Door Security Screen
- 60-15 & 60-16** Passenger Side Hinged Door Security Screen
- 60-17 & 60-18** Driver & Passenger Side Rear Door Security Screen
- 60-NRD** Rear Doors Security Screen Kit
- 60-NSDRD** Side & Rear Doors Security Screen Kit
- 60-NV2** Rear Doors Security Screen Kit
- 60-120** Driver Side Rear Door Security Screen
- 60-121** Passenger Side Rear Door Security Screen
- 60-PM-MLXW** Security Screen Kit
- 60-PM-SWB** ProMaster SWB curbside sliding door and rear door

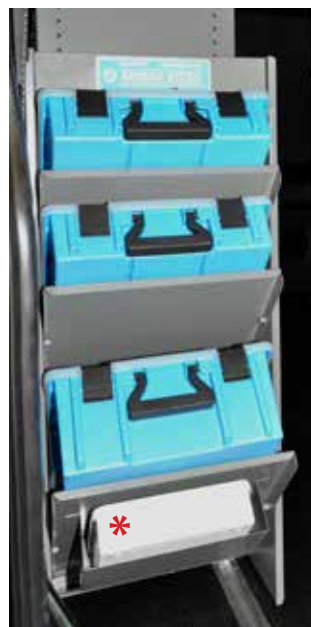
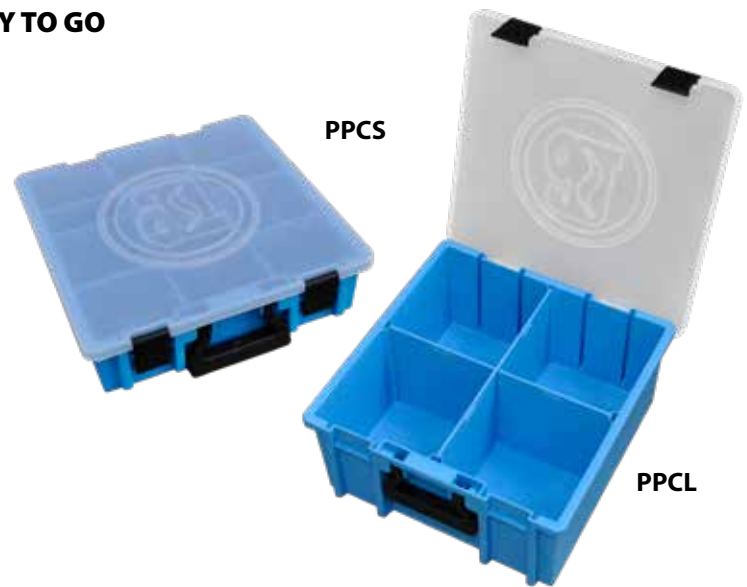
- Window Screen Kit.
- 60-PMCRD** Rear Doors Security Screen Kit
- 60-PMCSA** Side Sliding Doors Security Screen Kit
- 60-TRMHRDR** Rear Doors Security Screen Kit
- 60-TRLRDR** Rear Doors Security Screen Kit
- 60-TRMHSDR** Passenger Side Sliding & Rear Doors Security Screen Kit
- 60-TRLHRDR** Passenger Side Hinged & Rear Doors Security Screen Kit
- 60-TRLSDR** Passenger Side Sliding & Rear Doors Security Screen Kit
- 60-TC14RB** Rear Doors Security Screen Kit
- 60-TCS14S** Sliding Doors Security Screen Kit
- 60-TCL14S** Sliding Doors Security Screen Kit

BE MORE EFFICIENT WITH INVENTORY THAT IS READY TO GO WHEN AND WHERE YOU ARE.

Versatile, lightweight, durable, convenient and mobile - these **Portable Parts Cases** are perfect for the tech who needs to carry small parts and inventory to the jobsite.

The impact resistant body can be organized with the included adjustable dividers. The see-through lids with snap latches make identifying contents easy.

PPCS 14" x 14" x 3.75"
PPCL 14" x 14" x 6.25"



CH-EP
 15.5" x 11.25" x 37.5"
 * FIRST AID KIT NOT INCLUDED



CHPPC5SM
 16.5" x 14" x 35"



Add a single **CH1514SGL 15" x 14" x 12"** or double **CH-1514DBL 15" x 14" x 12"** **Case Holder** to an existing shelf to house included cases that stay put while in transport.

INCORPORATE THE PORTABLE PARTS CASES INTO YOUR VAN WITH THE STORAGE OPTION THAT FITS YOUR NEED.

Three different **Case Holder** options give you the ability to house multiple Portable Parts Cases near the vehicle door for easy access to grab-and-go. The **CH-EP** and **CHPPC5SM** include a tray that holds an optional first aid kit and feature slanted shelves.

The **CHPPC4S** includes four PPCS cases and each shelf has a retaining lip to keep cases in place.



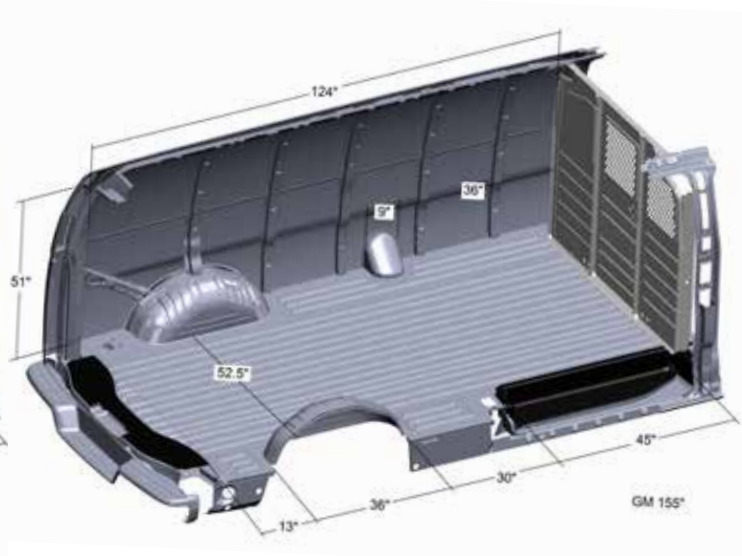
CHPPC4S
 14.5" x 11.5" x 18"

Vehicle Dimensions

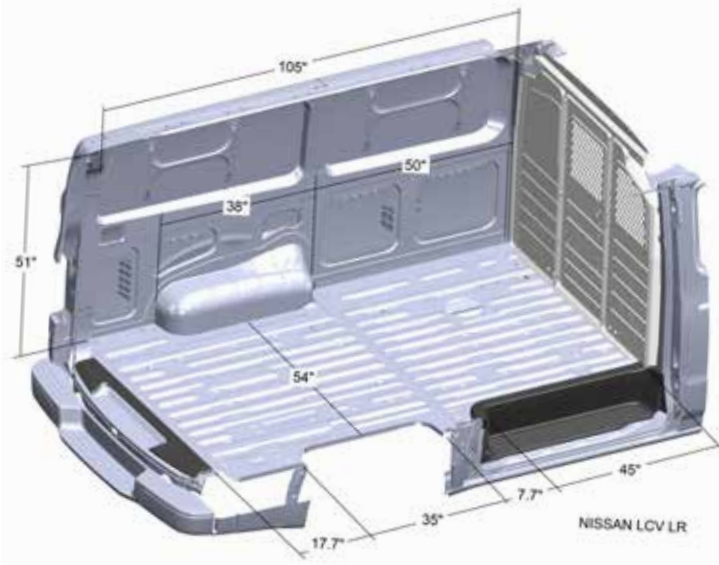
Chevy Express / GMC Savana 135" WB



Chevy Express / GMC Savana 155" WB



Nissan NV Low Roof



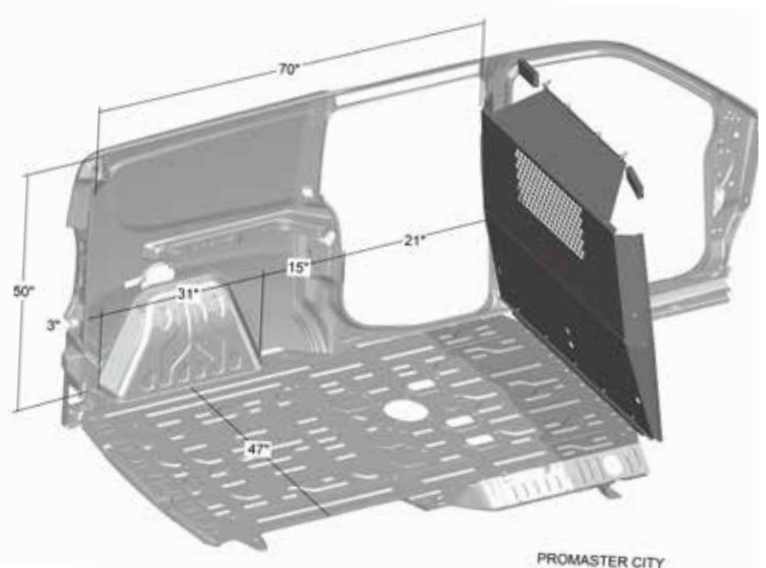
Nissan NV High Roof



Nissan NV200

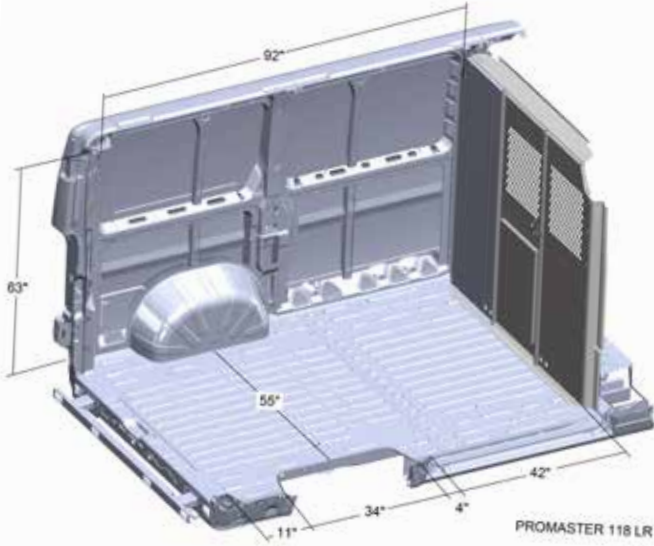


RAM ProMaster City

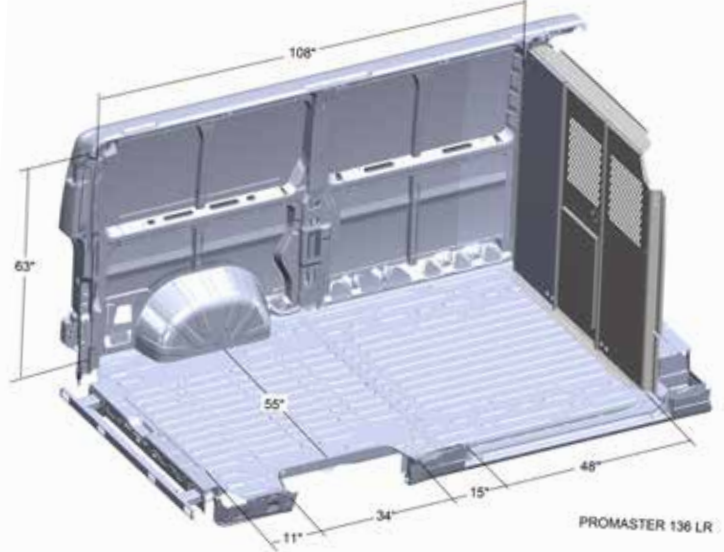


All illustrations, photos and specifications in this publication are based on the latest product information available at the time of content approval. The right is reserved to make changes at any time, without notice, in materials, specifications and models, and also to discontinue models. Note: Dimensions for reference only. Measure your van or contact your distributor for your exact needs.

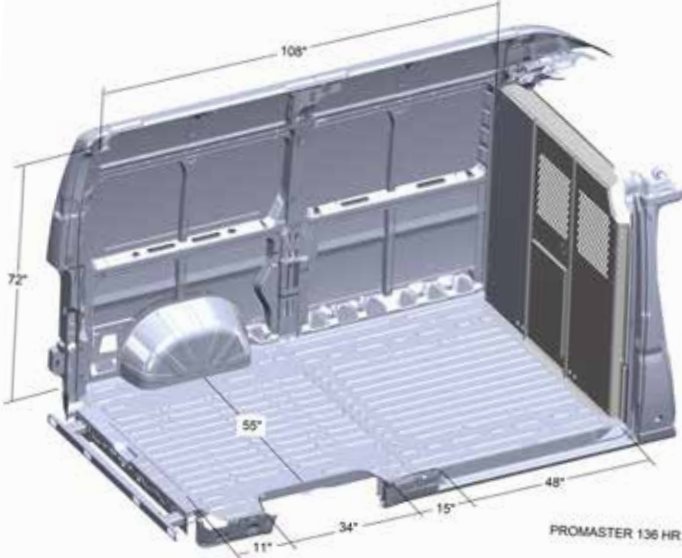
RAM ProMaster Low Roof 118"WB



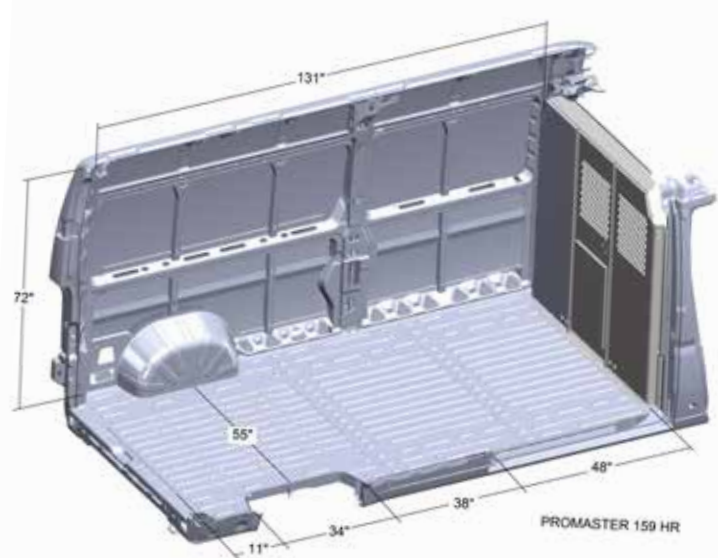
RAM ProMaster Low Roof 136"WB



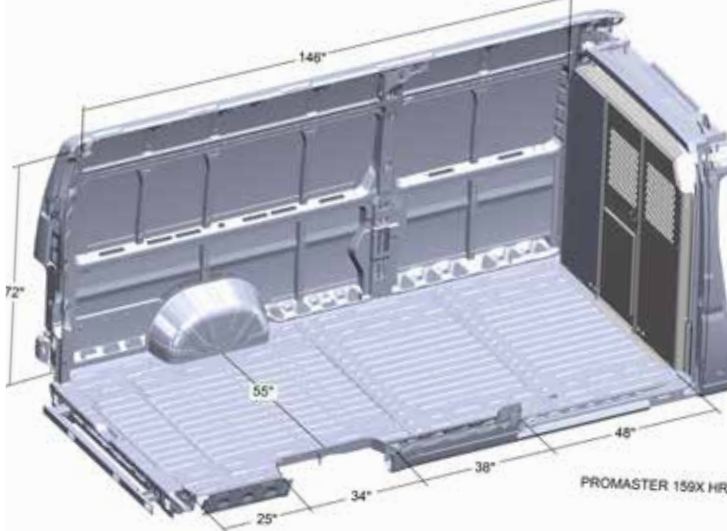
RAM ProMaster High Roof 136"WB



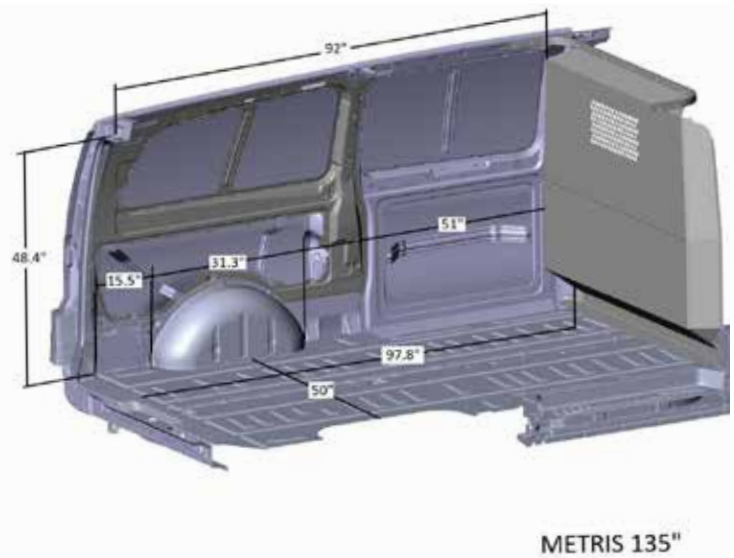
RAM ProMaster High Roof 159"WB



RAM ProMaster High Roof 159" Extended WB



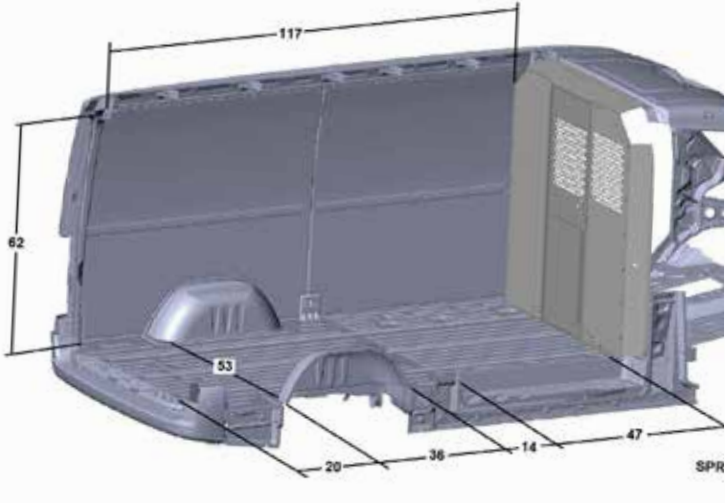
Mercedes Metris 135"WB



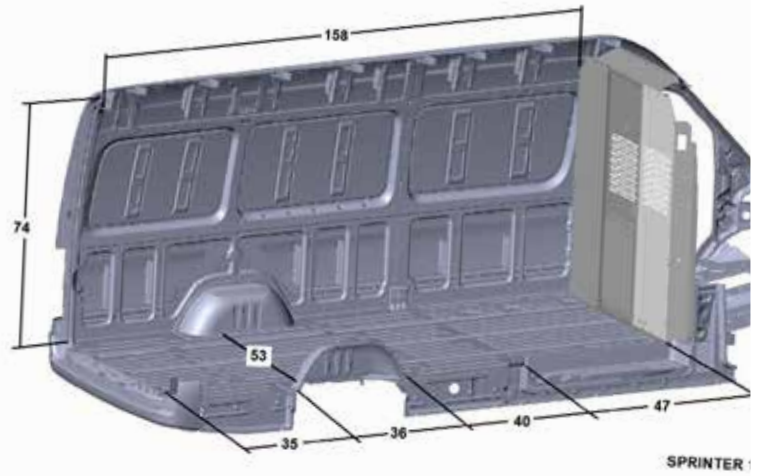
All illustrations, photos and specifications in this publication are based on the latest product information available at the time of content approval. The right is reserved to make changes at any time, without notice, in materials, specifications and models, and also to discontinue models. Note: Dimensions for reference only. Measure your van or contact your distributor for your exact needs.

Vehicle Dimensions

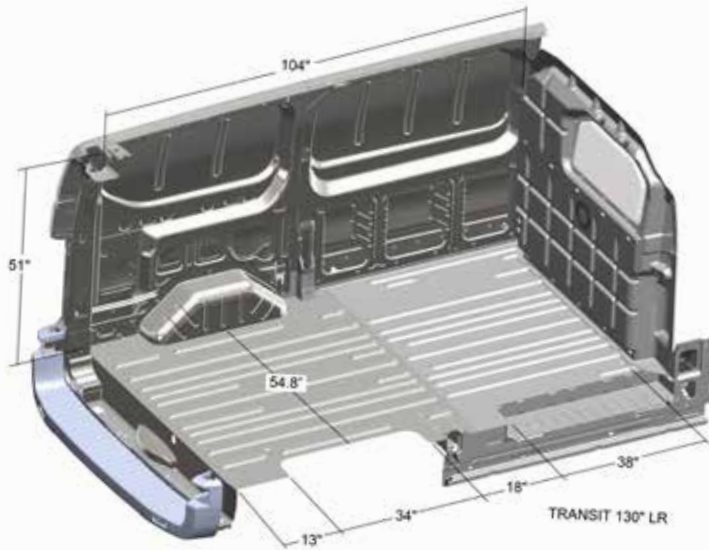
Mercedes Sprinter Low Roof 144"WB



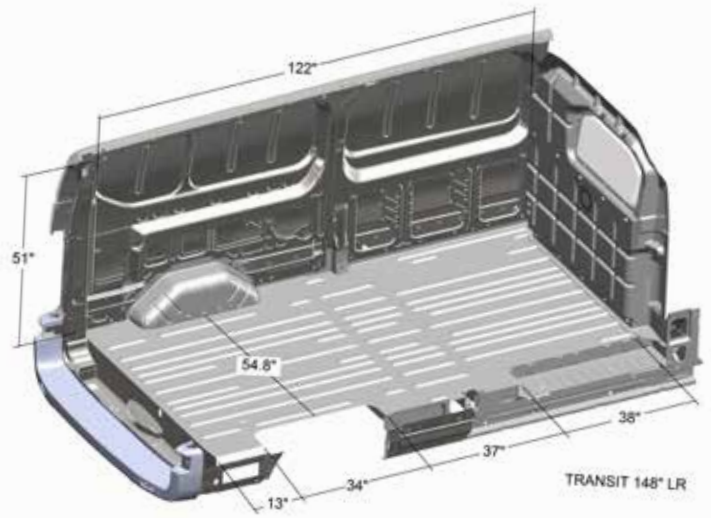
Mercedes Sprinter High Roof 170"WB



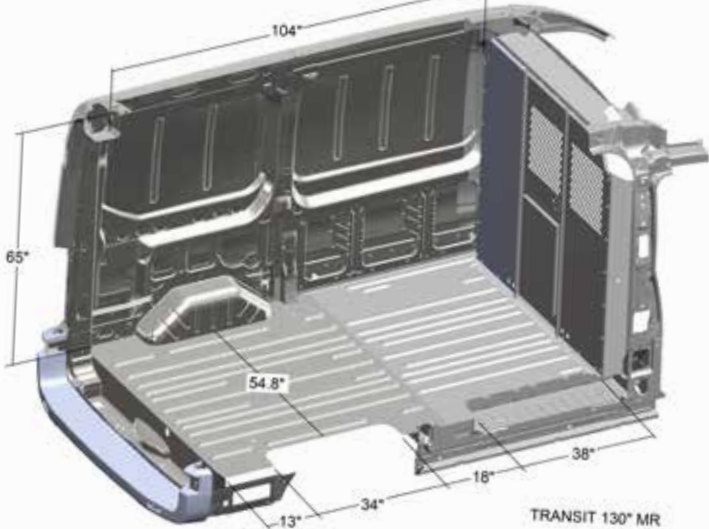
Ford Transit Low Roof 130"WB



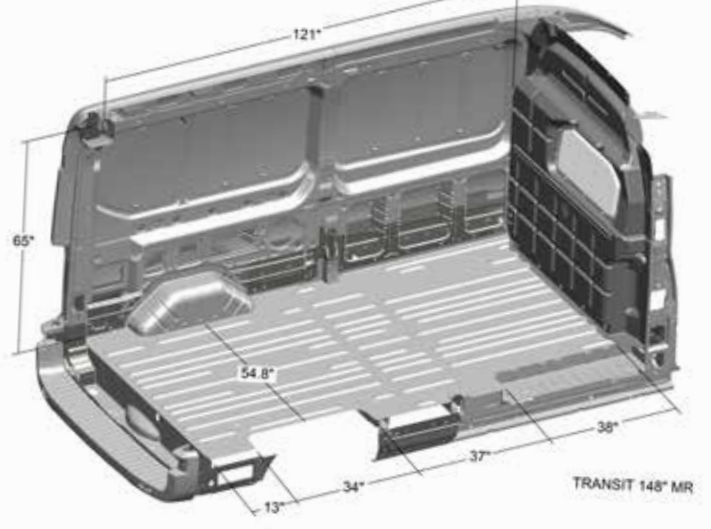
Ford Transit Low Roof 148"WB



Ford Transit Mid Roof 130"WB

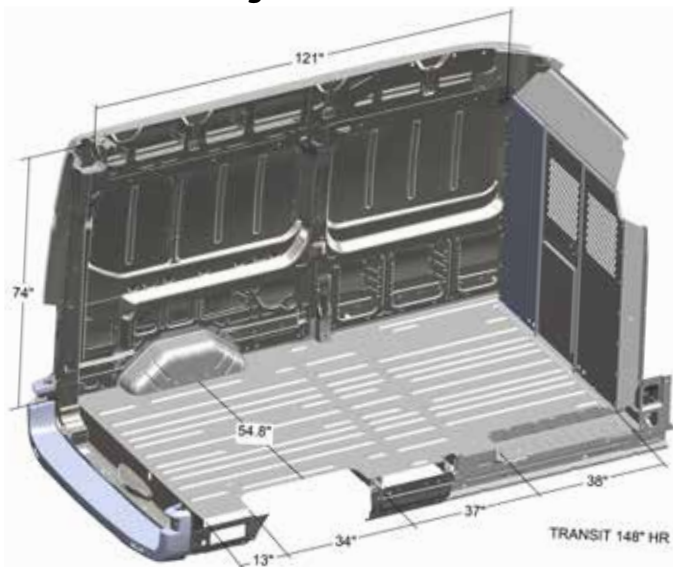


Ford Transit Mid Roof 148"WB

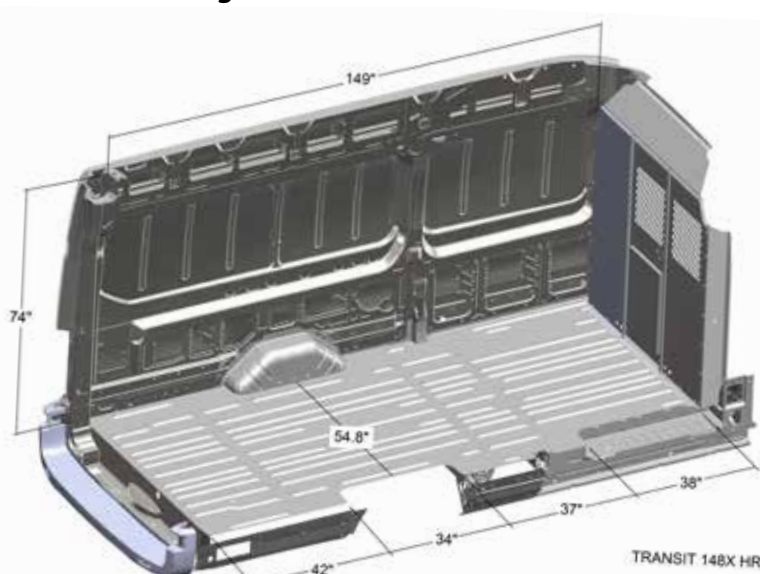


All illustrations, photos and specifications in this publication are based on the latest product information available at the time of content approval. The right is reserved to make changes at any time, without notice, in materials, specifications and models, and also to discontinue models. Note: Dimensions for reference only. Measure your van or contact your distributor for your exact needs.

Ford Transit High Roof 148"WB



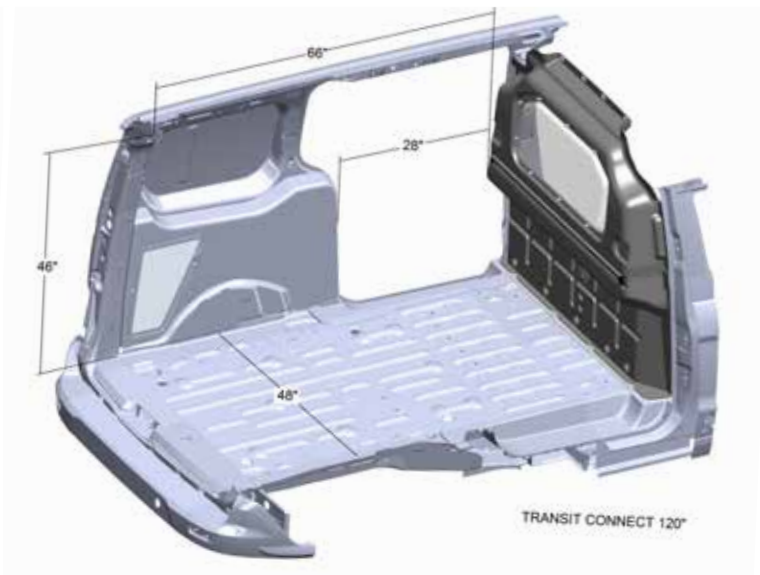
Ford Transit High Roof 148" Extended WB



Ford Transit Connect 105"WB



Ford Transit Connect 120"WB



All illustrations, photos and specifications in this publication are based on the latest product information available at the time of content approval. The right is reserved to make changes at any time, without notice, in materials, specifications and models, and also to discontinue models. Note: Dimensions for reference only. Measure your van or contact your distributor for your exact needs.

ADRIAN STEEL COMPANY



QUALITY

- Our products are durable and reliable. Warranty claims are less than 1% of sales.
- Our warranty covers our products for three years or 36,000 miles.

INNOVATIVE PRODUCTS WITH FEATURES THAT MATTER

- Drawers that stay closed while in transit.
- ADseries truly adjustable shelving platform.
- LoadsRite and EZ Load ladder racks that load and unload the safe and right way.
- Interior ladder storage.
- Plug and Play accessories.
- Anti-slam drawer latches, and much more!

COMMITMENT

At Adrian Steel, we are committed to you beyond the upfit!

- A dedicated Customer Care Team at corporate headquarters.
- A network of highly qualified distributors to support you locally.
- Our commitment to provide the best cargo management solutions in North America.

EXPERIENCE

- **Over One Million vans upfitted**, and counting! It's a fact that an organized vehicle increases work flow efficiencies and reduces inventory damages.
- Recognized as a National Truck Equipment Association MVP.



SERVICE

- Adrian Steel Products can be purchased throughout North America at authorized Adrian Steel distributors.
- Adrian Steel Customer Service Representatives are available M-F, 8am - 5pm EST at **1-800-677-2726**.
- E-mail us at info@adriansteel.com with questions, comments and feedback.
- Visit AdrianSteel.com for the most up-to-date product information, distributor locator, product catalogs, videos and more.

PROUDLY DISTRIBUTED BY:



906 James Street
Adrian, Michigan 49221-3996
517-265-6194 Fax: 517-265-5834
Toll Free **800-677-2726**
adriansteel.com info@adriansteel.com